

STYK

tap culture coffee

enter

Thank You!

**KRUGER** MSEP Larry & Gene Basso Erik Refson  
Quillet Painting Dorian Living Logan Mackey El Meson Quality Glass  
Sterling Mechanical Johnson Fruit Farms Bodo Knitting NOZIGER  
Burkett RTHC Mike Childs BOYERS CONSTRUCTION Stripe-it-up D&G Welding  
Phillips Plumbing & Heating Yvonne Curlier  
Twain Cities Landscaping

**SPI**LIGHTING  
www.spilighting.com

# SMALL + POWERFUL

An essential tool for every designer's toolbox, Styk is the best all-around wall washer/wall grazer on the market.

Equipped with the latest in LED technology, it delivers more lumens and offers better optical control than the competition.

Specify it when lighting signs, murals, artwork, facades, or anywhere an even wash of light is needed.





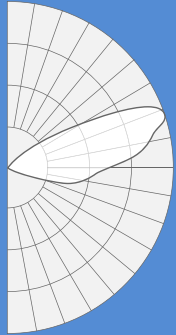


# LEADING-EDGE TECHNOLOGY & PERFORMANCE OPTICS

- Slim 1.5" diameter housing
- Up to 1,450 lm/ft
- 102 lm/W delivered
- Interior or exterior
- IP66-rated LED light engine
- Anodized finish provides durable corrosion protection
- 1' to 8' lengths and continuous runs

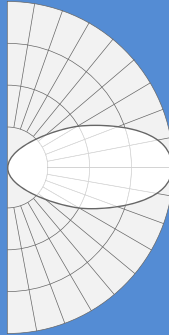
# 3 OPTICAL DISTRIBUTIONS

Rotates 330° and locks into place for precise fixture alignment.



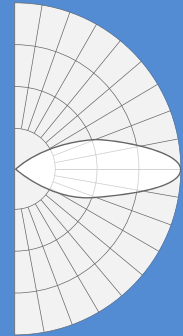
**FT**

Forward Throw



**SMA**

Symmetric  
60° Beam  
120° Spread

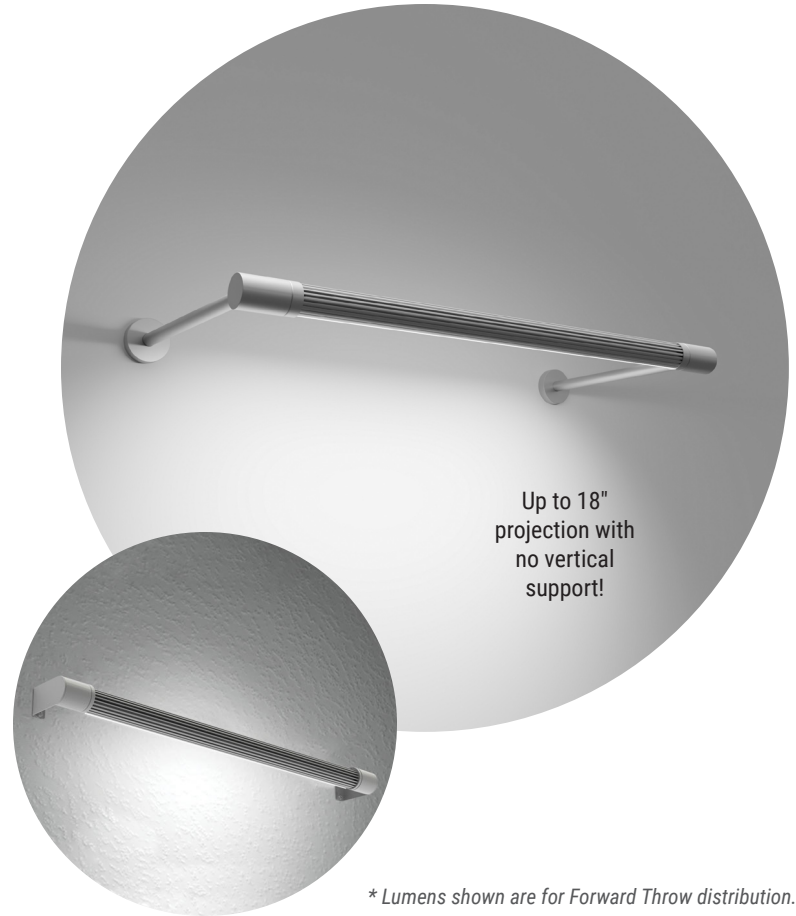


**SMB**

Symmetric  
30° Beam  
60° Spread

# STYK - WALL

Catalog ID	Size	Wattage	Delivered Lumens*
	1'	4	407
		7	712
		14	1,424
	2'	8	814
		14	1,424
		28	2,848
<b>STEM</b>			
SIW12139 (interior)	3'	12	1,220
		21	2,136
SEW12146 (exterior)		42	4,271
	4'	16	1,627
		28	2,848
		56	5,695
<b>BRACKET</b>			
SIW12138 (interior)	5'	20	2,034
		35	3,560
SEW12145 (exterior)		71	7,221
	6'	24	2,441
		42	4,271
		85	8,645
	8'	32	3,254
		56	5,695
		113	11,492



\* Lumens shown are for Forward Throw distribution.  
See website for other optical distributions.

# STYK - SUSPENDED



Catalog ID	Size	Wattage	Delivered Lumens*
	1'	4	407
		7	712
		14	1,424
	2'	8	814
		14	1,424
		28	2,848
SIP12122 (interior)	3'	12	1,220
		21	2,136
		42	4,271
SEP12144 (exterior)	4'	16	1,627
		28	2,848
		56	5,695
	5'	20	2,034
		35	3,560
		71	7,221
	6'	24	2,441
		42	4,271
		85	8,645
	8'	32	3,254
		56	5,695
		113	11,492

\* Lumens shown are for Forward Throw distribution.  
See website for other optical distributions.

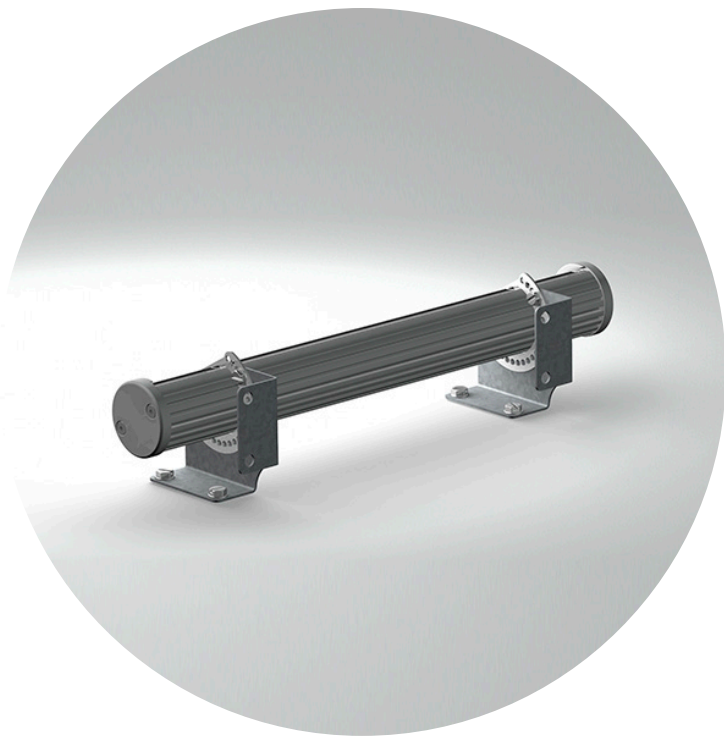
# STYK - CEILING

Catalog ID	Size	Wattage	Delivered Lumens*	
SIC12136 (interior)	1'	4	407	
		7	712	
		14	1,424	
	2'	8	814	
		14	1,424	
		28	2,848	
	3'	12	1,220	
		21	2,136	
		42	4,271	
	SEC12142 (exterior)	4'	16	1,627
			28	2,848
			56	5,695
5'	20	2,034		
	35	3,560		
	71	7,221		
6'	24	2,441		
	42	4,271		
	85	8,645		
8'	32	3,254		
	56	5,695		
	113	11,492		



\* Lumens shown are for Forward Throw distribution.  
See website for other optical distributions.

# STYK - COVE



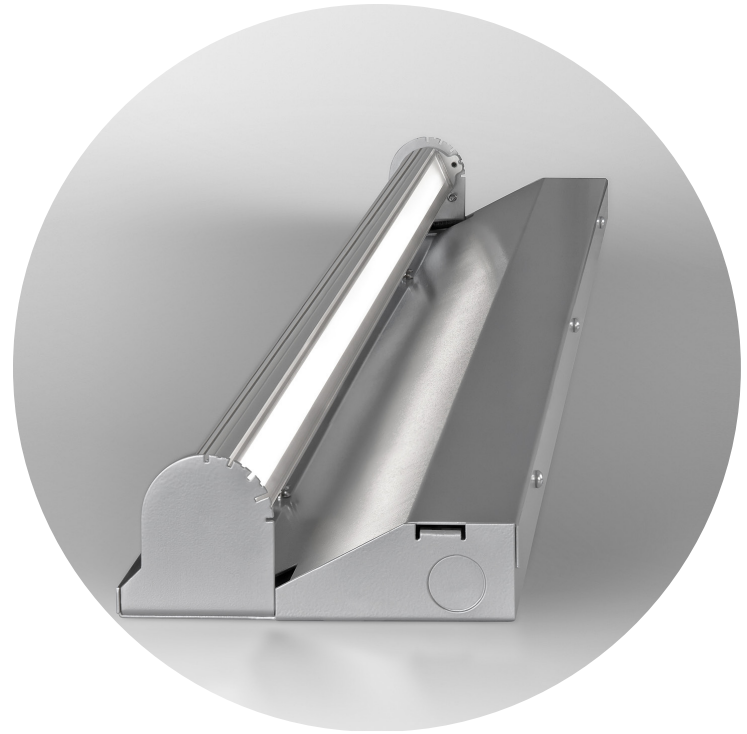
Catalog ID	Size	Wattage	Delivered Lumens*
	1'	4	407
		7	712
		14	1,424
	2'	8	814
		14	1,424
		28	2,848
SIV12141 (interior)	3'	12	1,220
		21	2,136
		42	4,271
SEV12148 (exterior)	4'	16	1,627
		28	2,848
		56	5,695
	5'	20	2,034
		35	3,560
		71	7,221
	6'	24	2,441
		42	4,271
		85	8,645
	8'	32	3,254
		56	5,695
		113	11,492

\* Lumens shown are for Forward Throw distribution.  
See website for other optical distributions.



# ECHO PERFORMANCE COVE 6.0

Catalog ID	Size	Wattage	Delivered Lumens*
EIV12014	2'	8	814
		14	1,424
		28	2,848
EIV12015	3'	12	1,220
		21	2,136
		42	4,271
EIV11814	4'	16	1,627
		28	2,848
		56	5,695
EIV12016	5'	20	2,034
		35	3,560
		71	7,221
EIV12017	6'	24	2,441
		42	4,271
		85	8,645
EIV12018	8'	32	3,254
		56	5,695
		113	11,492



*\* Lumens shown are for Forward Throw distribution.  
See website for other optical distributions.*