

Loris - 24", 36", 48"

AIP11423 36.00 in

JOB NAME:

TYPE:

NOTES:

DESCRIPTION

Brighten your design with this high-quality metal drum pendant that can be painted to match any décor. Specify it with a direct/indirect distribution that adds light to the ceiling plane or choose direct-only depending on the application. Its inset spun-metal trim ring creates a defining rim of light around the bottom diffuser – adding a unique design detail. Available in five diameters ranging from 9" to 48", the Loris family gives you lots of options to mix and match sizes, colors, and mounting heights to create a unique visual statement.

FEATURES & BENEFITS

- A clean, modern form with impressive performance
- Highly transmissive diffuser enhances spaces with soft and even illumination
- No visible hot spots
- Efficacy up to 99 lm/W
- Optional uplight component helps eliminate the "cave effect"
- Spun-metal trim ring adds a high-quality decorative element
- Handcrafted in USA

SPECIFICATIONS

- **LIGHT SOURCE:** White LED light engine
- **CRI:** 80+ or 90+
- **LUMEN MAINTENANCE:** L70 = >50,000 Hrs.
- **EFFICACY:** Up to 99 lm/W delivered
- **CCT:** 3000K, 3500K, or 4000K
- **DRIVER:** Integral Class 2 power supply standard
- **DIMMING:** 0-10V controls standard to 1% on LED light engines
- **CONTROLS:** Contact factory for control options (e.g., Lutron Athena, Current NX, nLight, Enlighted, Encelium, Wattstopper, WaveLinx, or Casambi)
- **EMERGENCY:** Remote battery option is provided with 10W Constant Power Battery back-up, providing 90 Minutes of Emergency operation. Contact factory for other Emergency options.
- **TOP LENS:** Any upward facing LEDs will be covered with a

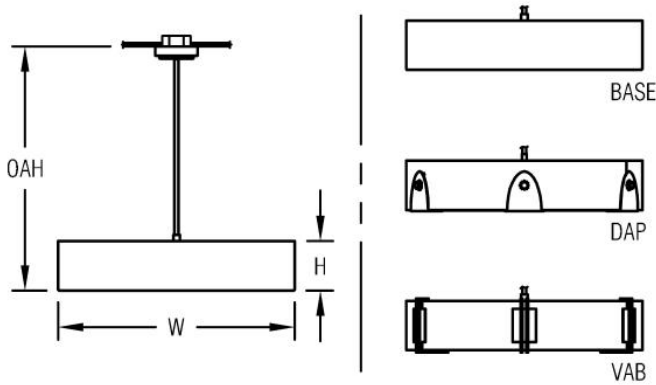


EMR

protective lens

- **CONSTRUCTION:** Formed metal construction provides durable protection for internal components and is recyclable
- **FINISH:** Choose from 26 standard thermoset polyester powder coat paint colors. RAL®, Pantone®, or custom finishes available upon request.
- **MODIFICATIONS:** Consult factory for all modification requests, including RGB
- **APPROVALS:** ETL listed to UL standards (US & Canada) for use in damp locations; not recommended for exterior applications

DIMENSIONS



W	H	OAH
36 in 91.4 cm	7.5 in 19 cm	36 in 91.4 cm
Mounting Weight		
Approximate: 50 lb (23 kg)		

CONFIGURATOR

To configure your spec sheet online, go to www.spilighting.com/AIP11423. Not all options are available in all configurations; consult factory for details.

Required Field *

Catalog AIP11423	Light Source*	Primary Finish*	Voltage*	Lamp Options*	CRI*	Mounting*	Emergency	Accents*	Other Than Standard Options
								Finish:	
	A		B	C	D	E	F	G	H

A - LIGHT SOURCE *

To ensure color consistency, SPI uses precise bin selection and strict quality processes to maintain a 3-step (MacAdam) SDCM on all white LED lampings. Published LED luminaire wattages are calculated using a typical power supply efficiency of 88%; exact wattages may vary based on application.

- L57W** | Direct Only - White 57W LED Light Engine | Delivered Lumens: 7,456
- L86W** | Direct/Indirect - White 86W LED Light Engine | Delivered Lumens: 11,180
- L115W** | Direct Only - White 115W LED Light Engine | Delivered Lumens: 15,042
- L172W** | Direct/Indirect - White 172W LED Light Engine | Delivered Lumens: 22,360

See last page for finish options

B - VOLTAGE *

120-277V | Universal Voltage

C - LAMP OPTIONS *

- 2700K | 2700K CCT
- 3000K ¹ | 3000K CCT
- 3500K ² | 3500K CCT
- 4000K | 4000K CCT
- 5000K | 5000K CCT

¹ Apply .95 multiplier for delivered lumens

² Apply .97 multiplier for delivered lumens

	80 CRI	90 CRI
2700K	1.00	0.84
3000K	1.00	0.84
3500K	1.00	0.84
4000K	1.00	0.84
5000K	1.00	0.84

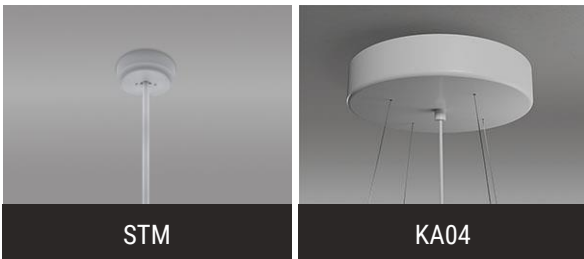
D - CRI *

- 90
- 80 | (default)

E - MOUNTING *

Mounts to standard 4" octagonal junction box with auxiliary mounting holes. Stem mounting features a 45° swivel. KA04 option features field adjustable aircraft cables that allow the fixture to be mounted at an application appropriate height (up to OAH). Cables must be at an angle greater than or equal to 45° to fixture.

- DF_STM | 6.5" Canopy with Stem Mount (default)
- KA04 | 16.25" Canopy with Angled Aircraft Cable Mount



F - EMERGENCY

10W, Constant Power Battery Back-up, with 90 minutes of emergency operation. EMR includes damp location enclosure for Battery back-up.

EMR | Emergency Battery Remote

G - ACCENTS *

See line art for illustrations.

- BASE** | Base Model No Accents
 DAP | Decorative Accent Panel (See last page for finish options)
 VAB | Vertical Accent Bars (See last page for finish options)



H - OTHER THAN STANDARD OPTIONS

Specify overall height required from ceiling to the bottom of the fixture.

OAH | Pendant suspension length other than standard Length:

Standard Finishes

The colors shown are representative. Their actual appearance may vary due to differences in display settings. You can request color chips by emailing contact@spilighting.com. Please note, finishes may not be available in all configurations.

Paint Colors

PT01 RAL9003 Signal White (Gloss)	PT51 Matte White (Textured)	PT02 White (Textured)	PT04 RAL9001 Cream (Textured)	PT67 RAL7044 Silk Grey (Textured)
PT53 RAL7035 Light Grey (Textured)	PT54 RAL7037 Dusty Grey (Textured)	PT55 RAL7012 Basalt Grey (Textured)	PT56 RAL7016 Anthracite Grey (Textured)	PT11 Black (Textured)
PT57 RAL1015 Light Ivory (Textured)	PT58 RAL8004 Copper Brown (Textured)	PT59 RAL6021 Pale Green (Textured)	PT60 RAL1019 Grey Beige (Textured)	PT61 RAL7006 Beige Grey (Textured)
PT62 RAL1003 Signal Yellow (Textured)	PT63 RAL3001 Signal Red (Textured)	PT64 RAL6001 Emerald Green (Textured)	PT65 RAL5005 Signal Blue (Textured)	PT66 RAL5003 Sapphire Blue (Textured)

Metallic Paint Colors

PT22 Platinum (Metallic Gloss)	PT48 Brass (Metallic Textured)	PT28 Dark Stainless (Metallic Gloss)	PT49 Bronze (Metallic Textured)	PT32 Dark Bronze (Metallic Gloss)
PT46 Aluminum (Metallic Textured)				

Specialty Finishes



More RAL®, Pantone®, and custom finishes are available upon request. Setup fee and additional lead time applies. Call factory for details.