

Zynn 2" Lines + Arcs

AIP12255 2.00 in | Lines

JOB NAME:

TYPE:

NOTES:

DESCRIPTION

Anything is possible with this creative modular system of luminous lines. Zynn 2" Lines + Arcs makes it fast and easy for you to create extraordinary curvilinear and rectilinear designs – all with standard products. Turn corners, sweep around columns, create geometric shapes, or form intricate patterns with smooth, continuous lines of light. Professional and refined, the system delivers up to 960 lumens per foot. For a complimentary lighting layout, contact our applications team at SPIteam@spilighting.com.

FEATURES & BENEFITS

- Sleek 2" x 3" profile
- Clean, continuous lines of light with zero pixilation
- Up to 960 lm/ft
- Provides functional lighting with comfortable luminance levels and is ideal for separating open offices, providing wayfinding, or adding markings
- The system can go up to 500' with just one power drop
- Maneuvers easily around obstructions
- Superior fit and finish
- Keeps ceilings clean with minimal mounting hardware
- Hidden internal aircraft cable grippers are easy to adjust
- Integral power supplies with easy daisy chain wiring simplifies installation
- Arcs (AIP12256) and Connectors (AIP12257) are ordered separately
- Handcrafted in USA

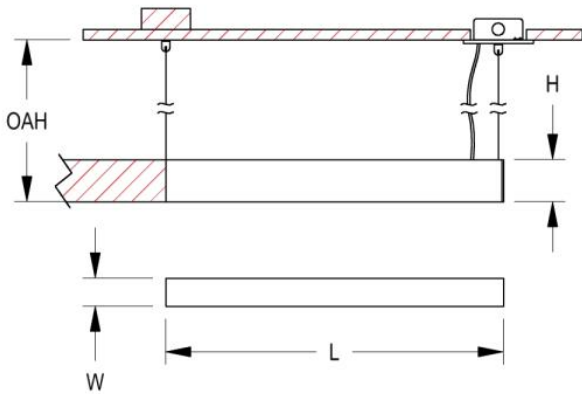
SPECIFICATIONS

- **LIGHT SOURCE:** White LED light engine
- **DISTRIBUTION:** Direct
- **CRI:** 80+ or 90+
- **LUMEN MAINTENANCE:** L80 = >54,000 Hrs.
- **EFFICACY:** Up to 86 lm/W delivered
- **CCT:** 2700K, 3000K, 3500K, 4000K, 5000K
- **VOLTAGE:** 120-277V standard



- **DRIVER:** Integral Class 2 power supply. Power drop kit required for each continuous run; see catalog CPS12267 to order. Connect power drops anywhere along the run.
- **MAX AMBIENT OPERATING TEMP:** 32°C (90°F)
- **DIMMING:** 1% minimum dim level standard
- **CONTROLS:** 0-10V standard. Lutron Athena, Current NX, and nLight AIR optional. Contact factory for other controls (e.g., Enlighted, Encelium, Wattstopper, WaveLinx, or Casambi).
- **INTEGRATED SURGE PROTECTION:** LED components are protected against minor surge events
- **EMERGENCY:** Remote battery option is provided with 10W Constant Power Battery back-up, providing 90 Minutes of Emergency operation. Contact factory for other Emergency options.
- **DIFFUSER:** Matte opal acrylic
- **CONSTRUCTION:** Housing fabricated from 6000 series aluminum extrusion
- **FINISH:** Choose from 26 standard thermoset polyester powder coat paint colors. RAL®, Pantone®, or custom finishes available upon request.
- **MODIFICATIONS:** Consult factory for all modification requests, including custom lengths
- **APPROVALS:** ETL listed to UL standards (US & Canada) for use in damp locations; not recommended for exterior applications

DIMENSIONS



2FT	W 2 in 5.1 cm	L 24 in 61 cm	H 3 in 7.6 cm	OAH 54 in 137.2 cm
-----	----------------------------	----------------------------	----------------------------	---------------------------------

Mounting Weight: Approximate: 5 lb (3 kg)

3FT	W 2 in 5.1 cm	L 36 in 91.4 cm	H 3 in 7.6 cm	OAH 54 in 137.2 cm
-----	----------------------------	------------------------------	----------------------------	---------------------------------

Mounting Weight: Approximate: 10 lb (5 kg)

4FT	W 2 in 5.1 cm	L 48 in 121.9 cm	H 3 in 7.6 cm	OAH 54 in 137.2 cm
-----	----------------------------	-------------------------------	----------------------------	---------------------------------

Mounting Weight: Approximate: 10 lb (5 kg)

5FT	W 2 in 5.1 cm	L 60 in 152.4 cm	H 3 in 7.6 cm	OAH 54 in 137.2 cm
-----	----------------------------	-------------------------------	----------------------------	---------------------------------

Mounting Weight: Approximate: 10 lb (5 kg)

6FT	W 2 in 5.1 cm	L 72 in 182.9 cm	H 3 in 7.6 cm	OAH 54 in 137.2 cm
-----	----------------------------	-------------------------------	----------------------------	---------------------------------

Mounting Weight: Approximate: 15 lb (7 kg)

7FT	W 2 in 5.1 cm	L 84 in 213.4 cm	H 3 in 7.6 cm	OAH 54 in 137.2 cm
-----	----------------------------	-------------------------------	----------------------------	---------------------------------

Mounting Weight: Approximate: 15 lb (7 kg)

8FT	W 2 in 5.1 cm	L 96 in 243.8 cm	H 3 in 7.6 cm	OAH 54 in 137.2 cm
-----	----------------------------	-------------------------------	----------------------------	---------------------------------

Mounting Weight: Approximate: 20 lb (10 kg)

CONFIGURATOR

To configure your spec sheet online, go to www.spilighting.com/AIP12255. Not all options are available in all configurations; consult factory for details.

Required Field *

Catalog	Light Source*	Primary Finish*	Voltage*	Lamp Options*	CRI*	Controls*	Mounting*	Emergency	Other Than Standard Options	Configuration*
AIP12255										
	A	B	C	D	E	F	G	H	I	

A - LIGHT SOURCE *

To ensure color consistency, SPI uses precise bin selection and strict quality processes to maintain a 3-step (MacAdam) SDCM on all white LED lampings. Published LED luminaire wattages are calculated using a typical power supply efficiency of 88%; exact wattages may vary based on

application. Alternative wattages available upon request.

2 FOOT NOMINAL FIXTURE

- 2FT-L11W** | White 11W LED Light Engine | Delivered Lumens: 945
- 2FT-L22W** | White 22W LED Light Engine | Delivered Lumens: 1,890

3 FOOT NOMINAL FIXTURE

- 3FT-L17W** | White 17W LED Light Engine | Delivered Lumens: 1,460
- 3FT-L34W** | White 34W LED Light Engine | Delivered Lumens: 2,921

4 FOOT NOMINAL FIXTURE

- 4FT-L22W** | White 22W LED Light Engine | Delivered Lumens: 1,890
- 4FT-L44W** | White 44W LED Light Engine | Delivered Lumens: 3,780

5 FOOT NOMINAL FIXTURE

- 5FT-L28W** | White 28W LED Light Engine | Delivered Lumens: 2,405
- 5FT-L56W** | White 56W LED Light Engine | Delivered Lumens: 4,810

6 FOOT NOMINAL FIXTURE

- 6FT-L34W** | White 34W LED Light Engine | Delivered Lumens: 2,921
- 6FT-L68W** | White 68W LED Light Engine | Delivered Lumens: 5,841

7 FOOT NOMINAL FIXTURE

- 7FT-L39W** | White 39W LED Light Engine | Delivered Lumens: 3,350
- 7FT-L79W** | White 79W LED Light Engine | Delivered Lumens: 6,786

8 FOOT NOMINAL FIXTURE

- 8FT-L44W** | White 44W LED Light Engine | Delivered Lumens: 3,780
- 8FT-L89W** | White 89W LED Light Engine | Delivered Lumens: 7,645

See last page for finish options

B - VOLTAGE *

- 120-277V** | Universal Voltage

C - LAMP OPTIONS *

Apply multiplier from chart for delivered lumens at other CCT's and CRI's.

- 2700K** | 2700K CCT
- 3000K** | 3000K CCT
- 3500K** | 3500K CCT
- 4000K** | 4000K CCT
- 5000K** | 5000K CCT

	80 CRI	90 CRI
2700K	0.91	0.77
3000K	0.94	0.80
3500K	0.97	0.82
4000K	1.00	0.85
5000K	1.00	0.85

D - CRI *

- DF_80** | (default)
- 90**

E - CONTROLS *

Extended lead times may apply for controls other than 0-10V. Contact factory for additional control options such as Enlighted, Encelium, Wattstopper, WaveLinx, Casambi, or others.

- DF_DIM1** | 0-10V Control, 1% Dimming (default)
- AWNRR**¹ | Lutron Athena Wireless Node, 1% Dimming
- NX**¹ | Current NX Wireless, 1% Dimming
- NLTA**¹ | Acuity nLight Air, 1% Dimming

¹ Contact factory for complimentary layout including controls package.

F - MOUNTING *

For mounting center information, go to <https://www.spilighting.com/AIP12255> > Downloads > Install Sheets. Power drop canopy mounts to standard 4" octagonal junction box. Field adjustable aircraft cables allow fixture to be mounted at an application appropriate height (up to OAH). The aircraft ceiling coupler can be connected to the power drop canopy or can be separated from the power drop canopy to gain flexibility in mounting. See Downloads on website for mounting center measurements. Aircraft cable suspension uses ceiling coupler to mount to structure above. Coupler accepts 1/4-20 threaded rod or can be anchored using through hole (hardware by others). **INSTALLATION NOTES:** During installation, the contractor is responsible for using the actual fixtures to ensure accurate mounting centers from one fixture to the next along the length of the linear run.

- DF_AC** | Aircraft Cable (default)

G - EMERGENCY

EMR is provided with a remote 10W, constant power battery back-up, for 90 Minutes of emergency operation, in a damp listed enclosure. EMC option if for direct connection to alternate emergency circuit (EM power By Others). All EM options in common section are provided with pass through wiring for normal power circuit within the configuration.

- EMC** | Emergency Circuit
- EMR** | Emergency Battery Remote

H - OTHER THAN STANDARD OPTIONS

Specify overall height required from ceiling to the bottom of the fixture.

OAH | Pendant suspension length other than standard Length:

I - CONFIGURATION *

Start/End units feature one joiner end and one finished end. Common units feature two joiner ends. Start/End and Common sections do not come with a power drop; see CPS12267 to order separately. Contact the factory for help determining how many drops your layout requires.

- COM**² | Common
- SAP** | Standalone Pendant
- S/E**² | Start/End

² Excludes power drop kit; see catalog ID CPS12267 to order

Standard Finishes

The colors shown are representative. Their actual appearance may vary due to differences in display settings. You can request color chips by emailing contact@spilighting.com. Please note, finishes may not be available in all configurations.

Paint Colors

PT01 RAL9003 Signal White (Gloss)	PT51 Matte White (Textured)	PT02 White (Textured)	PT04 RAL9001 Cream (Textured)	PT67 RAL7044 Silk Grey (Textured)
PT53 RAL7035 Light Grey (Textured)	PT54 RAL7037 Dusty Grey (Textured)	PT55 RAL7012 Basalt Grey (Textured)	PT56 RAL7016 Anthracite Grey (Textured)	PT11 Black (Textured)
PT57 RAL1015 Light Ivory (Textured)	PT58 RAL8004 Copper Brown (Textured)	PT59 RAL6021 Pale Green (Textured)	PT60 RAL1019 Grey Beige (Textured)	PT61 RAL7006 Beige Grey (Textured)
PT62 RAL1003 Signal Yellow (Textured)	PT63 RAL3001 Signal Red (Textured)	PT64 RAL6001 Emerald Green (Textured)	PT65 RAL5005 Signal Blue (Textured)	PT66 RAL5003 Sapphire Blue (Textured)

Metallic Paint Colors

PT22 Platinum (Metallic Gloss)	PT48 Brass (Metallic Textured)	PT28 Dark Stainless (Metallic Gloss)	PT49 Bronze (Metallic Textured)	PT32 Dark Bronze (Metallic Gloss)
PT46 Aluminum (Metallic Textured)				

Specialty Finishes



More RAL®, Pantone®, and custom finishes are available upon request. Setup fee and additional lead time applies. Call factory for details.