

Reo Semi Recessed Decor

AIW10372 28.00 in

JOB NAME:

TYPE:

NOTES:

DESCRIPTION

Reo can be partially recessed into the wall cavity, accent the space with side illumination, and provide a sense of depth in a low profile, ADA compliant package. Reo's unique light source orientation illuminates in front of and behind the decorative translucent panel, intensifying a 3D effect. The ability to complement any style comes standard.

FEATURES & BENEFITS

- Add texture to a space with architectural panels (standard panels are available with other panels available upon request)
- Optional durable wood laminate faceplate option adds a warm, natural texture to a space
- Optional embossed stainless steel-linear and crosshatch face plate option adds a unique, metal accent and texture to a space
- Compliant with Americans with Disabilities Act (ADA) requirements
- Handcrafted in USA

SPECIFICATIONS

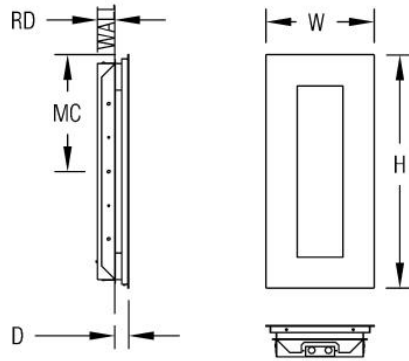
- **LIGHT SOURCE:** White LED light engine
- **CRI:** 80+ or 90+
- **LUMEN MAINTENANCE:** L70 = >50,000 Hrs.
- **CCT:** 2700K, 3000K, 3500K, 4000K, 5000K
- **DRIVER:** Integral Class 2 power supply standard
- **DIMMING:** 0-10V controls standard to 1% on LED light engines
- **CONTROLS:** Contact factory for control options (e.g., Lutron Athena, Current NX, nLight, Enlighted, Encelium, Wattstopper, WaveLinx, or Casambi)
- **EMERGENCY:** Remote battery option is provided with 10W Constant Power Battery back-up, providing 90 Minutes of Emergency operation. Contact factory for other Emergency options.
- **CONSTRUCTION:** Formed metal construction provides durable protection for internal components and is recyclable
- **FINISH:** Faceplate and housing finished to match your



specification (unless a faceplate option is specified). Choose from 26 standard thermoset polyester powder coat paint colors or brushed aluminum finish. RAL®, Pantone®, or custom finishes available upon request.

- **MODIFICATIONS:** Consult factory for all modification requests
- **APPROVALS:** ETL listed to UL standards (US & Canada) for use in damp locations; not recommended for exterior applications

DIMENSIONS



| W | H | D | MC |
|-------|---------|--------|---------|
| 13 in | 28 in | 1.7 in | 14 in |
| 33 cm | 71.1 cm | 4.3 cm | 35.6 cm |

Mounting Weight
Approximate: 25 lb (12 kg)

CONFIGURATOR

To configure your spec sheet online, go to www.spilighting.com/AIW10372. Not all options are available in all configurations; consult factory for details.

Required Field *

| Catalog | Light Source* | Primary Finish* | Voltage* | Lamp Options* | CRI* | Diffuser* | Mounting* | Emergency | Faceplate Options |
|----------|---------------|-----------------|----------|---------------|------|-----------|-----------|-----------|-------------------|
| AIW10372 | A | | B | C | D | E | F | G | H |

A - LIGHT SOURCE *

To ensure color consistency, SPI uses precise bin selection and strict quality processes to maintain a 3-step (MacAdam) SDCM on all white LED lampings. Published LED luminaire wattages are calculated using a typical power supply efficiency of 88%; exact wattages may vary based on application. Alternative wattages available upon request.

- L22W** | White 22W LED Light Engine | Delivered Lumens: 880
- L43W** | White 43W LED Light Engine | Delivered Lumens: 1,760

See last page for finish options

B - VOLTAGE *

- 120-277V** | Universal Voltage

C - LAMP OPTIONS *

Apply multiplier from chart for delivered lumens at other CCT's and CRI's.

- 2700K** | 2700K CCT
- 3000K** | 3000K CCT
- 3500K** | 3500K CCT
- 4000K** | 4000K CCT
- 5000K** | 5000K CCT

| | 80 CRI | 90 CRI |
|-------|--------|--------|
| 2700K | 1.00 | 0.84 |
| 3000K | 1.00 | 0.84 |
| 3500K | 1.00 | 0.84 |
| 4000K | 1.00 | 0.84 |
| 5000K | 1.00 | 0.84 |

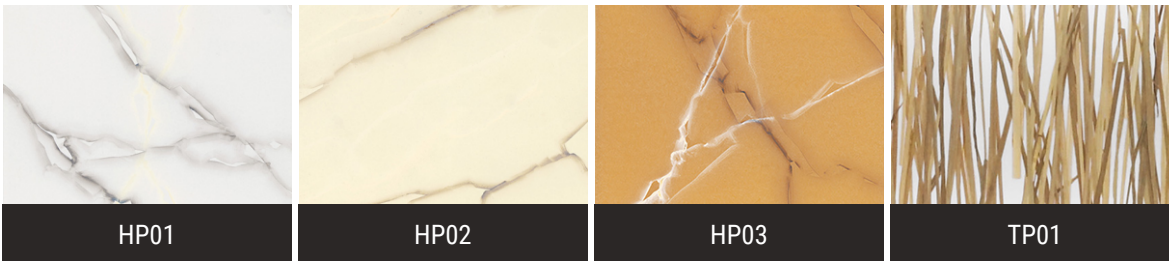
D - CRI *

- DF_80** | (default)
- 90**

E - DIFFUSER *

Other styles available upon request. Contact factory to customize an architectural panel that coordinates with your application.

- HP01** | Silver Hand Painted Acrylic Lens
- HP02** | Beige Hand Painted Acrylic Lens
- HP03** | Amber Hand Painted Acrylic Lens
- TP01** | Translucent Panel, Bear Grass, Vertical



F - MOUNTING *

Requires recessed mounting. Additional mounting structure and hardware required (by others).

- DF_SMR** | Semi-recessed Wall Mount (default)

G - EMERGENCY

10W, Constant Power Battery Back-up, with 90 minutes of emergency operation. EMR includes damp location enclosure for Battery back-up.

EMR | Emergency Battery Remote

H - FACEPLATE OPTIONS

- ES1** | Embossed Stainless Steel-Linear Pattern
- ES2** | Embossed Stainless Steel-Cross Hatch Pattern
- WF1** | Cherry Laminate
- WF2** | Maple Laminate



Standard Finishes

The colors shown are representative. Their actual appearance may vary due to differences in display settings. You can request color chips by emailing contact@spilighting.com. Please note, finishes may not be available in all configurations.

Paint Colors

| | | | | |
|---|--|---|---|---|
| PT01 RAL9003 Signal White (Gloss) | PT51 Matte White (Textured) | PT02 White (Textured) | PT04 RAL9001 Cream (Textured) | PT67 RAL7044 Silk Grey (Textured) |
| PT53 RAL7035 Light Grey (Textured) | PT54 RAL7037 Dusty Grey (Textured) | PT55 RAL7012 Basalt Grey (Textured) | PT56 RAL7016 Anthracite Grey (Textured) | PT11 Black (Textured) |
| PT57 RAL1015 Light Ivory (Textured) | PT58 RAL8004 Copper Brown (Textured) | PT59 RAL6021 Pale Green (Textured) | PT60 RAL1019 Grey Beige (Textured) | PT61 RAL7006 Beige Grey (Textured) |
| PT62 RAL1003 Signal Yellow (Textured) | PT63 RAL3001 Signal Red (Textured) | PT64 RAL6001 Emerald Green (Textured) | PT65 RAL5005 Signal Blue (Textured) | PT66 RAL5003 Sapphire Blue (Textured) |

Metallic Paint Colors

| | | | | |
|---|--|--|---|---|
| PT22 Platinum (Metallic Gloss) | PT48 Brass (Metallic Textured) | PT28 Dark Stainless (Metallic Gloss) | PT49 Bronze (Metallic Textured) | PT32 Dark Bronze (Metallic Gloss) |
| PT46 Aluminum (Metallic Textured) | | | | |

Brushed Aluminum

| |
|--------------------------------|
| BAL Brushed Aluminum |
|--------------------------------|

Specialty Finishes



More RAL®, Pantone®, and custom finishes are available upon request. Setup fee and additional lead time applies. Call factory for details.