

# Reo Semi Recessed Decor

AIW10374 52.00 in

JOB NAME:

TYPE:

NOTES:

## DESCRIPTION

Reo can be partially recessed into the wall cavity, accent the space with side illumination, and provide a sense of depth in a low profile, ADA compliant package. Reo's unique light source orientation illuminates in front of and behind the decorative translucent panel, intensifying a 3D effect. The ability to complement any style comes standard.

## FEATURES & BENEFITS

- Add texture to a space with architectural panels (standard panels are available with other panels available upon request)
- Optional durable wood laminate faceplate option adds a warm, natural texture to a space
- Optional embossed stainless steel-linear and crosshatch face plate option adds a unique, metal accent and texture to a space
- Compliant with Americans with Disabilities Act (ADA) requirements
- Handcrafted in USA

## SPECIFICATIONS

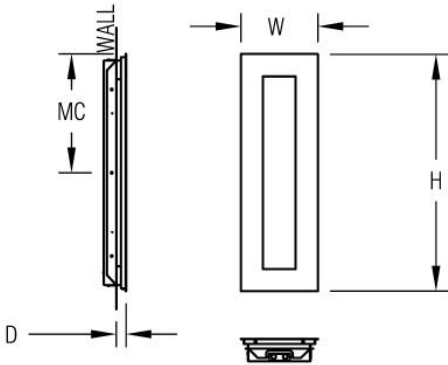
- **LIGHT SOURCE:** White LED light engine
- **CRI:** 80+ or 90+
- **LUMEN MAINTENANCE:** L70 = >50,000 Hrs.
- **CCT:** 2700K, 3000K, 3500K, 4000K, 5000K
- **DRIVER:** Integral Class 2 power supply standard
- **DIMMING:** 0-10V controls standard to 1% on LED light engines
- **CONTROLS:** Contact factory for control options (e.g., Lutron Athena, Current NX, nLight, Enlighted, Encelium, Wattstopper, WaveLinx, or Casambi)
- **EMERGENCY:** Remote battery option is provided with 10W Constant Power Battery back-up, providing 90 Minutes of Emergency operation. Contact factory for other Emergency options.
- **CONSTRUCTION:** Formed metal construction provides durable protection for internal components and is recyclable
- **FINISH:** Faceplate and housing finished to match your



specification (unless a faceplate option is specified). Choose from 26 standard thermoset polyester powder coat paint colors or brushed aluminum finish. RAL®, Pantone®, or custom finishes available upon request.

- **MODIFICATIONS:** Consult factory for all modification requests
- **APPROVALS:** ETL listed to UL standards (US & Canada) for use in damp locations; not recommended for exterior applications

## DIMENSIONS



W	H	D	MC
13 in	52 in	1.7 in	26 in
33 cm	132.1 cm	4.3 cm	66 cm

**Mounting Weight**  
Approximate: 25 lb (12 kg)

## CONFIGURATOR

To configure your spec sheet online, go to [www.spilighting.com/AIW10374](http://www.spilighting.com/AIW10374). Not all options are available in all configurations; consult factory for details.

### Required Field \*

Catalog	Light Source*	Primary Finish*	Voltage*	Lamp Options*	CRI*	Diffuser*	Mounting*	Emergency	Faceplate Options
AIW10374	A		B	C	D	E	F	G	H

## A - LIGHT SOURCE \*

To ensure color consistency, SPI uses precise bin selection and strict quality processes to maintain a 3-step (MacAdam) SDCM on all white LED lampings. Published LED luminaire wattages are calculated using a typical power supply efficiency of 88%; exact wattages may vary based on application. Alternative wattages available upon request.

- L50W** | White 50W LED Light Engine | Delivered Lumens: 2,053
- L100W** | White 100W LED Light Engine | Delivered Lumens: 4,106

See last page for finish options

## B - VOLTAGE \*

- 120-277V** | Universal Voltage

## C - LAMP OPTIONS \*

---

Apply multiplier from chart for delivered lumens at other CCT's and CRI's.

- 2700K** | 2700K CCT
- 3000K** | 3000K CCT
- 3500K** | 3500K CCT
- 4000K** | 4000K CCT
- 5000K** | 5000K CCT

	80 CRI	90 CRI
2700K	1.00	0.84
3000K	1.00	0.84
3500K	1.00	0.84
4000K	1.00	0.84
5000K	1.00	0.84

## D - CRI \*

---

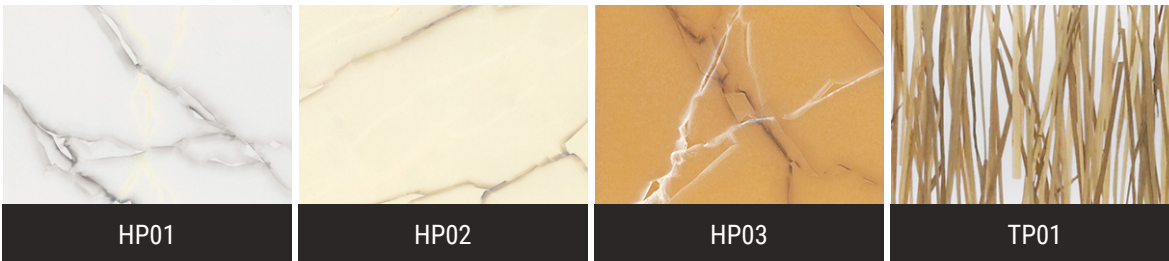
- DF\_80** | (default)
- 90**

## E - DIFFUSER \*

---

Other styles available upon request. Contact factory to customize an architectural panel that coordinates with your application.

- HP01** | Silver Hand Painted Acrylic Lens
- HP02** | Beige Hand Painted Acrylic Lens
- HP03** | Amber Hand Painted Acrylic Lens
- TP01** | Translucent Panel, Bear Grass, Vertical



## F - MOUNTING \*

---

Requires recessed mounting. Additional mounting structure and hardware required (by others).

- DF\_SMR** | Semi-recessed Wall Mount (default)

## G - EMERGENCY

---

10W, Constant Power Battery Back-up, with 90 minutes of emergency operation. EMR includes damp location enclosure for Battery back-up.

**EMR** | Emergency Battery Remote

## H - FACEPLATE OPTIONS

---

- ES1** | Embossed Stainless Steel-Linear Pattern
- ES2** | Embossed Stainless Steel-Cross Hatch Pattern
- WF1** | Cherry Laminate
- WF2** | Maple Laminate



## Standard Finishes

The colors shown are representative. Their actual appearance may vary due to differences in display settings. You can request color chips by emailing [contact@spilighting.com](mailto:contact@spilighting.com). Please note, finishes may not be available in all configurations.

### Paint Colors

<b>PT01</b> RAL9003 Signal White (Gloss)	<b>PT51</b> Matte White (Textured)	<b>PT02</b> White (Textured)	<b>PT04</b> RAL9001 Cream (Textured)	<b>PT67</b> RAL7044 Silk Grey (Textured)
<b>PT53</b> RAL7035 Light Grey (Textured)	<b>PT54</b> RAL7037 Dusty Grey (Textured)	<b>PT55</b> RAL7012 Basalt Grey (Textured)	<b>PT56</b> RAL7016 Anthracite Grey (Textured)	<b>PT11</b> Black (Textured)
<b>PT57</b> RAL1015 Light Ivory (Textured)	<b>PT58</b> RAL8004 Copper Brown (Textured)	<b>PT59</b> RAL6021 Pale Green (Textured)	<b>PT60</b> RAL1019 Grey Beige (Textured)	<b>PT61</b> RAL7006 Beige Grey (Textured)
<b>PT62</b> RAL1003 Signal Yellow (Textured)	<b>PT63</b> RAL3001 Signal Red (Textured)	<b>PT64</b> RAL6001 Emerald Green (Textured)	<b>PT65</b> RAL5005 Signal Blue (Textured)	<b>PT66</b> RAL5003 Sapphire Blue (Textured)

### Metallic Paint Colors

<b>PT22</b> Platinum (Metallic Gloss)	<b>PT48</b> Brass (Metallic Textured)	<b>PT28</b> Dark Stainless (Metallic Gloss)	<b>PT49</b> Bronze (Metallic Textured)	<b>PT32</b> Dark Bronze (Metallic Gloss)
<b>PT46</b> Aluminum (Metallic Textured)				

### Brushed Aluminum

<b>BAL</b> Brushed Aluminum
--------------------------------

## Specialty Finishes



More RAL®, Pantone®, and custom finishes are available upon request. Setup fee and additional lead time applies. Call factory for details.