

IPS LED - Pendant

EIP11059 30.00 in

JOB NAME:

TYPE:

NOTES:

DESCRIPTION

An effective alternative to traditional HID high- and low-bay lighting, IPS offers all the advantages of LED lighting. Replacing traditional HID sources with LED lumen packages provides a near 50 percent energy-savings per fixture. Moreover, the IPS family can be dimmed to 10 percent of full light output. Features of this fixture include an impact resistant acrylic lens, low-profile housing, and recyclable steel construction. Available in stem, aircraft cable, or chain mounts. For a complimentary lighting layout, contact our applications team at SPITeam@spilighting.com. Companion ceiling fixture also available.

FEATURES & BENEFITS

- Optical chamber painted high reflectance (minimum 92%) white
- Spun metal housing adds high-quality, decorative element to fixture
- Handcrafted in USA

SPECIFICATIONS

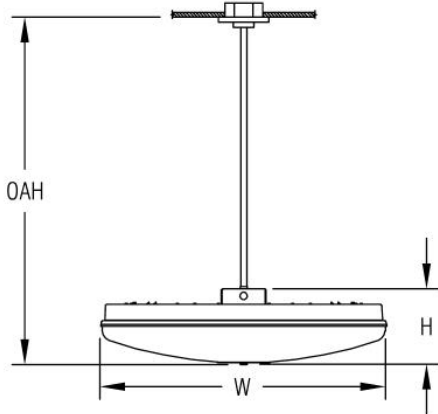
- **LIGHT SOURCE:** White LED light engine
- **CRI:** 80+ OR 90+
- **LUMEN MAINTENANCE:** L70 = >50,000 Hrs.
- **EFFICACY:** 109 lm/W delivered
- **CCT:** 2700K, 3000K, 3500K, 4000K, 5000K
- **VOLTAGE:** 120-277V standard
- **DRIVER:** Integral Class 2 power supply standard
- **DIMMING:** 0-10V controls standard to 1% on LED light engines
- **CONTROLS:** Contact factory for control options (e.g., Lutron Athena, Current NX, nLight, Enlighted, Encelium, Wattstopper, WaveLinx, or Casambi)
- **EMERGENCY:** Remote battery option is provided with 10W Constant Power Battery back-up, providing 90 Minutes of Emergency operation. Contact factory for other Emergency options.
- **LENS:** Clear Pattern 12 prismatic acrylic lens
- **FINISH:** Superwhite (PT01) thermoset polyester powder coat paint standard
- **MODIFICATIONS:** Consult factory for all modification requests



EMR

- **APPROVALS:** ETL listed to UL standards (US & Canada) for use in damp locations; not recommended for exterior applications

DIMENSIONS



W	H	OAH
30 in	7.8 in	48 in
76.2 cm	19.8 cm	121.9 cm
Mounting Weight		
Approximate: 50 lb (23 kg)		

CONFIGURATOR

To configure your spec sheet online, go to www.spilighting.com/EIP11059. Not all options are available in all configurations; consult factory for details.

Required Field *

Catalog	Light Source*	Primary Finish*	Voltage*	Lamp Options*	CRI*	Mounting*	Emergency	Options	Other Than Standard Options
EIP11059									
	A		B	C	D	E	F	G	H

A - LIGHT SOURCE *

To ensure color consistency, SPI uses precise bin selection and strict quality processes to maintain a 3-step (MacAdam) SDCM on all white LED lampings. Published LED luminaire wattages are calculated using a typical power supply efficiency of 88%; exact wattages may vary based on application.

L172W | White 172W LED Light Engine | Delivered Lumens: 18,714

[See last page for finish options](#)

B - VOLTAGE *

120-277V | Universal Voltage

C - LAMP OPTIONS *

Apply multiplier from chart for delivered lumens at other CCT's and CRI's.

- 2700K** | 2700K CCT
- 3000K** | 3000K CCT
- 3500K** | 3500K CCT
- 4000K** | 4000K CCT
- 5000K** | 5000K CCT

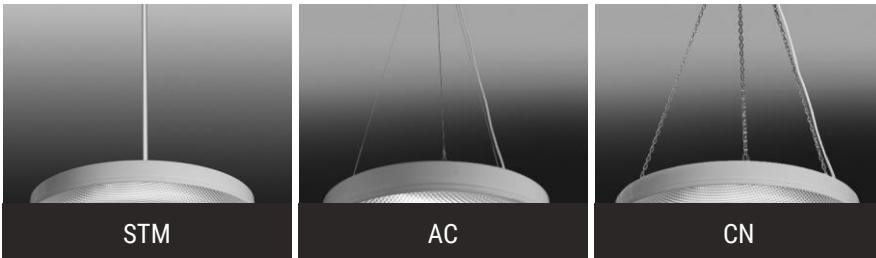
	80 CRI	90 CRI
2700K	1.00	0.84
3000K	1.00	0.84
3500K	1.00	0.84
4000K	1.00	0.84
5000K	1.00	0.84

D - CRI *

- DF_80** | (default)
- 90**

E - MOUNTING *

- DF_STM** | Stem Mount (default)
- AC** | Aircraft Cable & Power Cord Mount
- CN** | Chain Mount



F - EMERGENCY *

10W, Constant Power Battery Back-up, with 90 minutes of emergency operation. EMR includes damp location enclosure for Battery back-up.

- EMR** | Emergency Battery Remote

G - OPTIONS

- BPC** | Black Power Cord
- WG** | Wire Guard

H - OTHER THAN STANDARD OPTIONS

Specify overall height required from ceiling to the bottom of the fixture.

OAH | Pendant suspension length other than standard Length:

Standard Finishes

The colors shown are representative. Their actual appearance may vary due to differences in display settings. You can request color chips by emailing contact@spilighting.com. Please note, finishes may not be available in all configurations.

Paint Colors

PT01
RAL9003 Signal White (Gloss)

Metallic Paint Colors

PT22
Platinum (Metallic Gloss)

PT48
Brass (Metallic Textured)

PT28
Dark Stainless (Metallic Gloss)

PT49
Bronze (Metallic Textured)

PT32
Dark Bronze (Metallic Gloss)

PT46
Aluminum (Metallic Textured)

Specialty Finishes



More RAL®, Pantone®, and custom finishes are available upon request. Setup fee and additional lead time applies. Call factory for details.