

Radial Pendant

EIP12149 38.00 in

JOB NAME:

TYPE:

NOTES:

DESCRIPTION

High bays are a common answer for lighting high-ceiling applications, but they can produce harsh glare that perpetuates eye strain and fatigue. High-output indirect pendants provide a more comfortable alternative by eliminating individual points of brightness and, instead, use the entire ceiling to gently diffuse light. Think of this sleek luminaire, which delivers more than 65,000 lumens in a uniform 360° radial spread, as a better way to light large industrial and commercial spaces. It features field adjustability to ensure an optimum distribution. For a complimentary lighting layout, contact our applications team at SPIteam@spilighting.com.

FEATURES & BENEFITS

- Increase visual comfort, reduce glare and improve light uniformity with indirect lighting
- Delivers 59,800 lumens in a true 360° pattern
- Perfect design tool for lighting large, open areas
- Ultra slim 3.5" profile
- Clean design features hidden heat sinks and no visible fasteners within view
- Standard top lens corrects color-over-angle discoloration, delivering a clean white beam suitable for highly-finished ceilings and walls
- Standard black cut-off shields reduce glare
- Comparable output to 1,000W Metal Halide with a 39% energy savings
- Field adjustable distribution ratchets to five positions: 35°, 17.5°, 0°, -17.5°, -35° while maintaining a static housing (ships from factory at 35° tilt)
- Handcrafted in USA

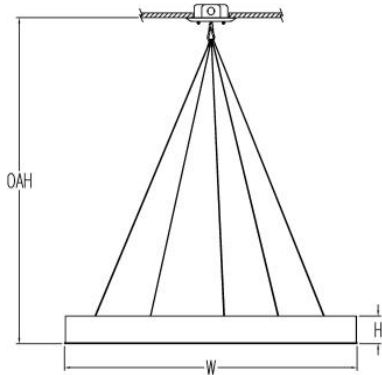
SPECIFICATIONS

- **LIGHT SOURCE:** White LED light engine
- **CRI:** 80+ or 90+
- **LUMEN MAINTENANCE:** L70 = >50,000 Hrs.
- **EFFICACY:** up to 130 lm/W delivered with High Output option
- **CCT:** 2700K, 3000k, 3500K, 4000K or 5000K



- **VOLTAGE:** 120-277V standard
- **DRIVER:** Fully potted integral Class 1 power supply standard
- **DIMMING:** 0-10V controls standard to 1% on LED light engines
- **INTEGRATED SURGE PROTECTION:** LED components are protected against minor surge events
- **CONSTRUCTION:** Aluminum construction; precision injection molded optics
- **FINISH:** Housing and canopy finished to match. To specify separately, contact factory. Choose from 26 standard thermoset polyester powder coat paint colors. RAL®, Pantone®, or custom finishes available upon request.
- **MODIFICATIONS:** Consult factory for all modification requests, including wire guard options
- **APPROVALS:** ETL listed to UL standards (US and Canada) for use in damp locations; not recommended for exterior applications

DIMENSIONS



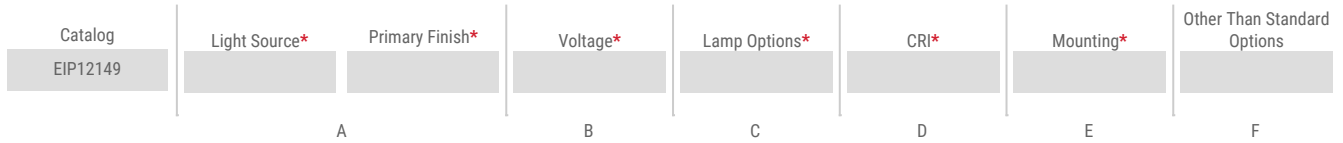
W	H	OAH
38 in	3.5 in	84 in
96.5 cm	8.9 cm	213.4 cm

Mounting Weight
Approximate: 50 lb (23 kg)

CONFIGURATOR

To configure your spec sheet online, go to www.spilighting.com/EIP12149. Not all options are available in all configurations; consult factory for details.

Required Field *



A - LIGHT SOURCE *

To ensure color consistency, SPI uses precise bin selection and strict quality processes to maintain a 3-step (MacAdam) SDCM on all white LED lampings. Published LED luminaire wattages are calculated using a typical power supply efficiency of 88%; exact wattages may vary based on application.

L460W | White 460W LED Light Engine | Delivered Lumens: 59,800

[See last page for finish options](#)

B - VOLTAGE *

120-277V | Universal Voltage

C - LAMP OPTIONS *

Delivered lumens shown are at 4000K CCT; apply multiplier for delivered lumens at other CCT.

- 2700K** | 2700K CCT
- 3000K** | 3000K CCT
- 3500K¹** | 3500K CCT
- 4000K** | 4000K CCT
- 5000K** | 5000K CCT

¹ Apply .91 multiplier for delivered lumens

D - CRI *

- DF_80** | (default)
- 90²**

² Not available in 5000K

E - MOUNTING *

Mounts with 5 steel aircraft cables and white power cord to 6.5" canopy. Mounts over standard 4" octagonal junction box with auxiliary mounting holes; additional mounting structure and hardware required (by others).

DF_AC | Aircraft cable and power cord (default)

F - OTHER THAN STANDARD OPTIONS

Specify overall height required from ceiling to the bottom of the fixture. The OAH min/max range is determined only by the physical limitations of the luminaire. Appropriate mounting heights are separately calculated from photometric lighting layouts and recommended from the specifier. If the specified mounting height is outside of the OAH range, please contact the factory.

OAH | Pendant suspension length other than standard

Standard Finishes

The colors shown are representative. Their actual appearance may vary due to differences in display settings. You can request color chips by emailing contact@spilighting.com. Please note, finishes may not be available in all configurations.

Paint Colors

PT01 RAL9003 Signal White (Gloss)	PT51 Matte White (Textured)	PT02 White (Textured)	PT04 RAL9001 Cream (Textured)	PT67 RAL7044 Silk Grey (Textured)
PT53 RAL7035 Light Grey (Textured)	PT54 RAL7037 Dusty Grey (Textured)	PT55 RAL7012 Basalt Grey (Textured)	PT56 RAL7016 Anthracite Grey (Textured)	PT11 Black (Textured)
PT57 RAL1015 Light Ivory (Textured)	PT58 RAL8004 Copper Brown (Textured)	PT59 RAL6021 Pale Green (Textured)	PT60 RAL1019 Grey Beige (Textured)	PT61 RAL7006 Beige Grey (Textured)
PT62 RAL1003 Signal Yellow (Textured)	PT63 RAL3001 Signal Red (Textured)	PT64 RAL6001 Emerald Green (Textured)	PT65 RAL5005 Signal Blue (Textured)	PT66 RAL5003 Sapphire Blue (Textured)

Metallic Paint Colors

PT22 Platinum (Metallic Gloss)	PT48 Brass (Metallic Textured)	PT28 Dark Stainless (Metallic Gloss)	PT49 Bronze (Metallic Textured)	PT32 Dark Bronze (Metallic Gloss)
PT46 Aluminum (Metallic Textured)				

Specialty Finishes



More RAL®, Pantone®, and custom finishes are available upon request. Setup fee and additional lead time applies. Call factory for details.