

Echo Round 9.0 LED - Pendant

EIP12250 15.10 in

JOB NAME:

TYPE:

NOTES:

DESCRIPTION

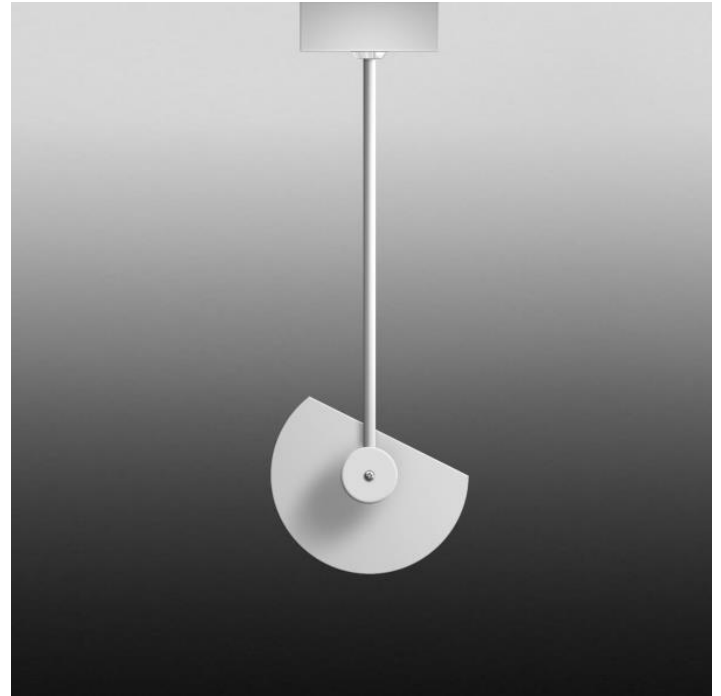
Powered by next generation LED technology, Echo Round 9.0 is one of the most comfortable and efficient ways to deliver performance indirect lighting today. With it, you can effectively illuminate large, open spaces from the perimeter with high lumen packages and a forward throw of smooth, uniform light. Improve comfort and visibility by concealing the light source from view. Offered in 14,000 to 42,500 lumen packages, Echo Round 9.0 provides an impressive amount of light in a classic, compact design. For a complimentary lighting layout, contact our applications team at SPIteam@spilighting.com.

FEATURES & BENEFITS

- More efficient (131 lm/W) and higher output than any product in its category
- Hides direct view of the light source, improving visual comfort and mitigating glare
- Field-adjustable housing locks into position, enabling precise fixture alignment
- Forward tilt directs light away from the wall to the center of the room
- High ambient operating temperature rating and long rated lifetime
- Choose from three standard color temps: 3000K, 3500K, 4000K
- 0-10V dimming to 1% comes standard
- Built to last from durable extruded aluminum
- Natatorium construction option available for additional protection in corrosive environments
- Rounded geometry blends naturally with architecture
- Excellent replacement for 250W or 400W indirect metal halide fixtures with up to 57% energy savings
- Handcrafted in USA

SPECIFICATIONS

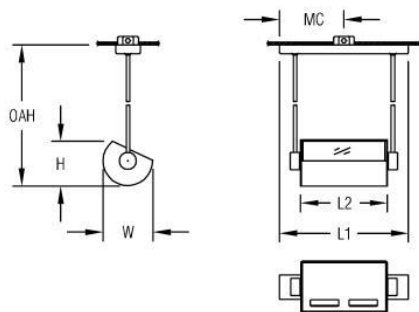
- **LIGHT SOURCE:** White LED light engine
- **ORIENTATION:** For indirect use only
- **CRI:** 80+ or 90+
- **LUMEN MAINTENANCE:** L90 = >72,000 Hrs. at 44°C ambient



temperature

- **EFFICACY:** Up to 131 lm/W delivered
- **MAX AMBIENT OPERATING TEMP:** 44°C (111°F)
- **CCT:** 2700K, 3000K, 3500K, 4000K, 5000K
- **VOLTAGE:** 120-277V standard
- **DRIVER:** Fully potted integral Class 2 power supply standard
- **DIMMING:** 1% minimum dim level standard
- **CONTROLS:** 0-10V standard. Lutron Athena, Current NX, and nLight AIR optional. Contact factory for other controls (e.g., Enlighted, Encelium, Wattstopper, WaveLinx, or Casambi)
- **EMERGENCY:** Remote battery option is provided with 10W Constant Power Battery back-up, providing 90 Minutes of Emergency operation. Contact factory for other Emergency options.
- **CONSTRUCTION:** Extruded aluminum housing and cast aluminum end caps provide durable protection for internal components; precision injection molded optics
- **FINISH:** Housing and mounting components finished to match. Choose from 26 standard thermoset polyester powder coat paint colors. RAL®, Pantone®, or custom finishes available upon request.
- **MODIFICATIONS:** Consult factory for all modification requests, including multi-head pendants
- **APPROVALS:** ETL listed to UL standards (US and Canada) for use in damp locations; not recommended for exterior applications

DIMENSIONS



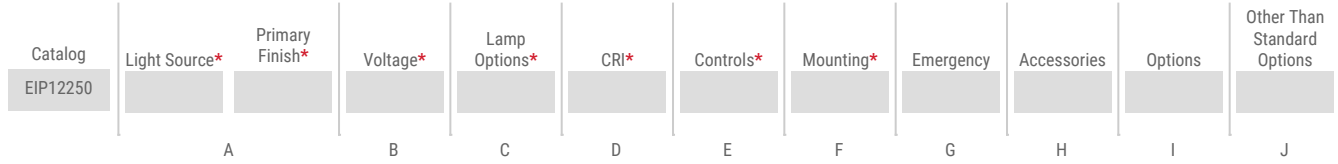
W	L1	L2	H	OAH	MC
8.9 in	22.5 in	15.1 in	7.8 in	80 in	11.3 in
22.6 cm	57.2 cm	38.4 cm	19.8 cm	203.2 cm	28.7 cm

Mounting Weight
Approximate: 15 lb (7 kg)

CONFIGURATOR

To configure your spec sheet online, go to www.spilighting.com/EIP12250. Not all options are available in all configurations; consult factory for details.

Required Field *



A - LIGHT SOURCE *

To ensure color consistency, SPI uses precise bin selection and strict quality processes to maintain a 3-step (MacAdam) SDCM on all white LED lampings. Published LED luminaire wattages are calculated using a typical power supply efficiency of 88%; exact wattages may vary based on application. Alternative wattages available upon request.

L108W | White 108W LED Light Engine | Delivered Lumens: 14,094

[See last page for finish options](#)

B - VOLTAGE *

120-277V | Universal Voltage

C - LAMP OPTIONS *

Apply multiplier from chart for delivered lumens at other CCT's and CRI's.

- 2700K** | 2700K CCT
- 3000K** | 3000K CCT
- 3500K** | 3500K CCT
- 4000K** | 4000K CCT
- 5000K** | 5000K CCT

	80 CRI	90 CRI
2700K	n/a	0.67
3000K	0.93	0.74
3500K	0.93	0.74
4000K	1.00	0.74
5000K	1.00	n/a

D - CRI *

- DF_80**¹ | (default)
- 90**²

¹ Not available in 2700K

² Not available in 5000K

E - CONTROLS *

Extended lead times may apply for controls other than 0-10V. Contact factory for additional control options such as Enlighted, Encelium, Wattstopper, WaveLinx, Casambi, or others.

- DF_DIM1** | 0-10V Control, 1% Dimming (default)
- AWNR** ³ | Lutron Athena Wireless Node, 1% Dimming
- NX** ³ | Current NX Wireless, 1% Dimming
- NLTA** ³ | Acuity nLight Air, 1% Dimming

³ Not recommended for natatorium environments without additional component protection. Contact factory for options.

F - MOUNTING *

Mounts to standard 4" octagonal junction box with auxiliary mounting holes.

- DF_STM** | Stem Mount (default)

G - EMERGENCY

10W, Constant Power Battery Back-up, with 90 minutes of emergency operation. EMR includes damp location enclosure for Battery back-up.

- EMR** | Emergency Battery Remote

H - ACCESSORIES

Cut-Off Shield painted to match housing.

- CS** | Cut-Off Shield



I - OPTIONS

Natatorium Construction means you can be confident that your SPI Lighting luminaire is built to withstand the corrosive environments of natatoriums. Stainless steel fasteners are added to the fixture's already robust design, which includes an aluminum housing painted with a minimum of 2 mils powder coat paint and fully-potted power supply(s).

- NAT** | Natatorium Construction
- F** | Fusing

J - OTHER THAN STANDARD OPTIONS

Specify the overall height required from ceiling to the bottom of the fixture. The OAH min/max range is determined only by the physical limitations of the luminaire. Appropriate mounting heights are separately calculated from photometric lighting layouts and recommended from the specifier. If the specified mounting height is outside of the OAH range, please contact the factory.

OAH | Pendant suspension length other than standard

Standard Finishes

The colors shown are representative. Their actual appearance may vary due to differences in display settings. You can request color chips by emailing contact@spilighting.com. Please note, finishes may not be available in all configurations.

Paint Colors

PT01 RAL9003 Signal White (Gloss)	PT51 Matte White (Textured)	PT02 White (Textured)	PT04 RAL9001 Cream (Textured)	PT67 RAL7044 Silk Grey (Textured)
PT53 RAL7035 Light Grey (Textured)	PT54 RAL7037 Dusty Grey (Textured)	PT55 RAL7012 Basalt Grey (Textured)	PT56 RAL7016 Anthracite Grey (Textured)	PT11 Black (Textured)
PT57 RAL1015 Light Ivory (Textured)	PT58 RAL8004 Copper Brown (Textured)	PT59 RAL6021 Pale Green (Textured)	PT60 RAL1019 Grey Beige (Textured)	PT61 RAL7006 Beige Grey (Textured)
PT62 RAL1003 Signal Yellow (Textured)	PT63 RAL3001 Signal Red (Textured)	PT64 RAL6001 Emerald Green (Textured)	PT65 RAL5005 Signal Blue (Textured)	PT66 RAL5003 Sapphire Blue (Textured)

Metallic Paint Colors

PT22 Platinum (Metallic Gloss)	PT48 Brass (Metallic Textured)	PT28 Dark Stainless (Metallic Gloss)	PT49 Bronze (Metallic Textured)	PT32 Dark Bronze (Metallic Gloss)
PT46 Aluminum (Metallic Textured)				

Specialty Finishes



More RAL®, Pantone®, and custom finishes are available upon request. Setup fee and additional lead time applies. Call factory for details.