

# Zynn 3" Lines - Wet/Steam

AES12385 3.00 in | Flange

JOB NAME:

TYPE:

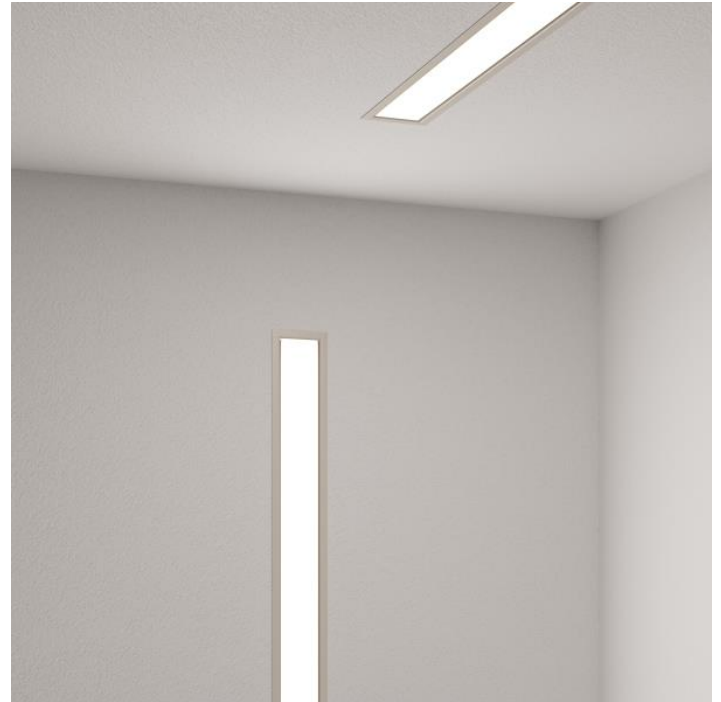
NOTES:

## DESCRIPTION

This high-temperature, IP66-rated recessed linear fixture is specially designed for steam rooms and natatoriums. It has an LED light engine that is built to withstand the extreme heat and prolonged moisture exposure in these environments. The housing integrates with the vapor barrier, providing a waterproof seal between the fixture and the surface. Available in 2' to 8' standard lengths and continuous runs.

## FEATURES & BENEFITS

- Very high max ambient room temperature rating of 50°C (122°F)
- Up to 700 lm/foot delivered
- Mount it vertically or horizontally on ceilings and walls
- Wide 3" aperture softly diffuses light
- Uniform illumination with no visible shadowing or view of diodes
- Recessed mounting is ideal for small spaces
- No visible fasteners give the fixture a clean look
- Ideal for emergency lighting use with remote power supply
- Acrylic diffuser resists yellowing
- Light engine and electronics are fully accessible after installation and designed for easy serviceability
- Mount individually or create long continuous lines of light
- Handcrafted in USA

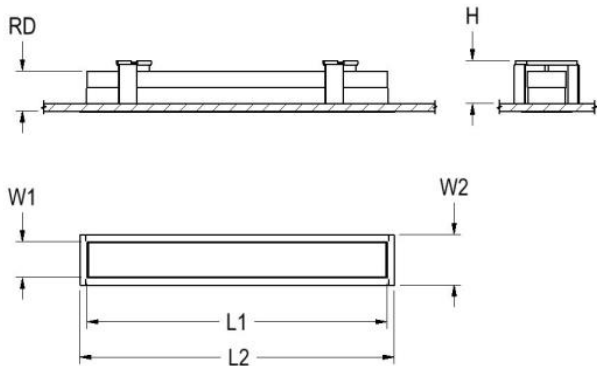


## SPECIFICATIONS

- **LIGHT SOURCE:** White LED light engine
- **INGRESS PROTECTION:** IP66
- **LUMEN MAINTENANCE:** L70 = >50,000 Hrs.
- **EFFICACY:** 50 lm/W delivered
- **CCT:** 3000K, 3500K, or 4000K
- **VOLTAGE:** 120-277V standard
- **DRIVER:** Integral Class 2 power supply
- **DIMMING:** 0-10V controls standard to 1% on LED light engines
- **CONTROLS:** Contact factory for control options (e.g., Lutron Athena, Current NX, nLight, Enlighted, Encelium, Wattstopper, WaveLinx, or Casambi)
- **MAX AMBIENT OPERATING TEMP:** 50°C (122°F)

- **MIN AMBIENT OPERATING TEMP:** -20°C (-4°F)
- **INTEGRATED SURGE PROTECTION:** LED components are protected against minor surge events
- **DIFFUSER:** Diffused acrylic
- **EMERGENCY:** Emergency battery remote optional
- **CONSTRUCTION:** 2', 3', and 4' lengths have a seamless housing and diffuser. 6' and 8' lengths are fabricated in a two-part modular housing and have a seamless diffuser. Housing fabricated from aluminum. Corrosion resistant fasteners.
- **FINISH:** Flanged housing is finished to your specification. Choose from 26 standard thermoset polyester powder coat paint colors. RAL®, Pantone®, or custom finishes available upon request.
- **MODIFICATIONS:** Consult factory for all modification requests, including alternate lengths or remote drivers
- **APPROVALS:** ETL listed to UL standards (US & Canada) for use in wet locations. Not rated for Insulation Contact.

## DIMENSIONS



2FT	L1	L2	H	RD	W1	W2
	24 in	25.3 in	3.5 in	3.5 in	3.1 in	4.3 in
	61 cm	64.3 cm	8.9 cm	8.9 cm	7.9 cm	10.9 cm

Mounting Weight: Approximate: 10 lb (5 kg)

3FT	L1	L2	H	RD	W1	W2
	36 in	37.3 in	3.5 in	3.5 in	3.1 in	4.3 in
	91.4 cm	94.7 cm	8.9 cm	8.9 cm	7.9 cm	10.9 cm

Mounting Weight: Approximate: 15 lb (7 kg)

4FT	L1	L2	H	RD	W1	W2
	48 in	49.3 in	3.5 in	3.5 in	3.1 in	4.3 in
	121.9 cm	125.2 cm	8.9 cm	8.9 cm	7.9 cm	10.9 cm

Mounting Weight: Approximate: 15 lb (7 kg)

6FT	L1	L2	H	RD	W1	W2
	72 in	73.3 in	3.5 in	3.5 in	3.1 in	4.3 in
	182.9 cm	186.2 cm	8.9 cm	8.9 cm	7.9 cm	10.9 cm

Mounting Weight: Approximate: 25 lb (12 kg)

8FT	L1	L2	H	RD	W1	W2
	96 in	97.3 in	3.5 in	3.5 in	3.1 in	4.3 in
	243.8 cm	247.1 cm	8.9 cm	8.9 cm	7.9 cm	10.9 cm

Mounting Weight: Approximate: 30 lb (14 kg)

## CONFIGURATOR

To configure your spec sheet online, go to [www.spilighting.com/AES12385](http://www.spilighting.com/AES12385). Not all options are available in all configurations; consult factory for details.

### Required Field \*

Catalog AES12385	Light Source*	Primary Finish*	Voltage*	Lamp Options*	CRI	Mounting*	Linear Run	Options
	A		B	C	D	E	F	G

## A - LIGHT SOURCE \*

To ensure color consistency, SPI uses precise bin selection and strict quality processes to maintain a 3-step (MacAdam) SDCM on all white LED lampings. Published LED luminaire wattages are calculated using a typical power supply efficiency of 88%; exact wattages may vary based on application. Alternative wattages available upon request.

### 2 FOOT NOMINAL FIXTURE

- 2FT-L14W** | White 14W LED Light Engine | Delivered Lumens: 700
- 2FT-L28W** | White 28W LED Light Engine | Delivered Lumens: 1,400

### 3 FOOT NOMINAL FIXTURE

- 3FT-L21W** | White 21W LED Light Engine | Delivered Lumens: 1,050
- 3FT-L42W** | White 42W LED Light Engine | Delivered Lumens: 2,100

### 4 FOOT NOMINAL FIXTURE

- 4FT-L28W** | White 28W LED Light Engine | Delivered Lumens: 1,400
- 4FT-L56W** | White 56W LED Light Engine | Delivered Lumens: 2,800

### 6 FOOT NOMINAL FIXTURE

- 6FT-L42W** | White 42W LED Light Engine | Delivered Lumens: 2,100
- 6FT-L84W** | White 84W LED Light Engine | Delivered Lumens: 4,200

### 8 FOOT NOMINAL FIXTURE

- 8FT-L56W** | White 56W LED Light Engine | Delivered Lumens: 2,800
- 8FT-L112W** | White 112W LED Light Engine | Delivered Lumens: 5,600

[See last page for finish options](#)

## B - VOLTAGE \*

- 120-277V** | Universal Voltage

## C - LAMP OPTIONS \*

---

Delivered lumens shown are at 4000K CCT; apply multiplier for delivered lumens at other CCT.

- 2700K** | 2700K CCT
- 3000K** <sup>1</sup> | 3000K CCT
- 3500K** <sup>2</sup> | 3500K CCT
- 4000K** | 4000K CCT
- 5000K** | 5000K CCT

<sup>1</sup> Apply .95 multiplier for delivered lumens

<sup>2</sup> Apply .97 multiplier for delivered lumens

## D - CRI

---

- 90**
- 80** | (default)

## E - MOUNTING \*

---

Fits within a 3.5" deep wall/ceiling cavity. Fixture mounts with old-work mounting brackets or direct to structure.

- DF\_REC** | Recessed Mount with Trim Flange (default)

## F - LINEAR RUN

---

Runs have a 1/8" expansion gap between diffusers. The light is continuous.

- RUN** | Continuous Run
- OAL** | Specify Length of Run

Length:

## G - OPTIONS

---

When the NAT option is selected, you can feel confident that the luminaire specified is designed with high-quality materials that will withstand the corrosive environment of indoor pools. Electrical components are protected from moisture and the fixture has been tested to operate in warm ambient temperatures.

- NAT** | Natatorium Construction
- F** | Fusing

## Standard Finishes

The colors shown are representative. Their actual appearance may vary due to differences in display settings. You can request color chips by emailing [contact@spilighting.com](mailto:contact@spilighting.com). Please note, finishes may not be available in all configurations.

### Paint Colors

<b>PT01</b> RAL9003 Signal White (Gloss)	<b>PT51</b> Matte White (Textured)	<b>PT02</b> White (Textured)	<b>PT04</b> RAL9001 Cream (Textured)	<b>PT67</b> RAL7044 Silk Grey (Textured)
<b>PT53</b> RAL7035 Light Grey (Textured)	<b>PT54</b> RAL7037 Dusty Grey (Textured)	<b>PT55</b> RAL7012 Basalt Grey (Textured)	<b>PT56</b> RAL7016 Anthracite Grey (Textured)	<b>PT11</b> Black (Textured)
<b>PT57</b> RAL1015 Light Ivory (Textured)	<b>PT58</b> RAL8004 Copper Brown (Textured)	<b>PT59</b> RAL6021 Pale Green (Textured)	<b>PT60</b> RAL1019 Grey Beige (Textured)	<b>PT61</b> RAL7006 Beige Grey (Textured)
<b>PT62</b> RAL1003 Signal Yellow (Textured)	<b>PT63</b> RAL3001 Signal Red (Textured)	<b>PT64</b> RAL6001 Emerald Green (Textured)	<b>PT65</b> RAL5005 Signal Blue (Textured)	<b>PT66</b> RAL5003 Sapphire Blue (Textured)

### Metallic Paint Colors

<b>PT22</b> Platinum (Metallic Gloss)	<b>PT48</b> Brass (Metallic Textured)	<b>PT28</b> Dark Stainless (Metallic Gloss)	<b>PT49</b> Bronze (Metallic Textured)	<b>PT32</b> Dark Bronze (Metallic Gloss)
<b>PT46</b> Aluminum (Metallic Textured)				

## Specialty Finishes



More RAL®, Pantone®, and custom finishes are available upon request. Setup fee and additional lead time applies. Call factory for details.