

Monet Exterior - Wall Full Recessed

AEW10488 26.00 in

JOB NAME:

TYPE:

NOTES:

DESCRIPTION

With a flash of style and a touch of class, Monet makes a lasting impression. Distinctive motifs provide an artistic twist, while vivid color gels and luminous glowing edges complete an energetic design. The Monet family consists of interior sconces, pendants, and ceiling mounts, as well as exterior wall mounts. Efficient, long-lasting LEDs allow Monet to empower a space in a simple, elegant form. Exterior ADA-compliant Monet wall mount luminaires are UL listed for wet locations. This fixture is fully recessed, but surface mount models are also available. Exterior Monet's vibrant face lights the path of egress and is balanced by a matching luminous edge.

FEATURES & BENEFITS

- Frosted acrylic lens gives the fixture a unique identity with light reflected through the polished edge
- Add a splash of color to a space with optional theatrical color gels offered in four standard colors with custom colors available upon request
- Stainless steel external fasteners will not rust or corrode
- Versatile design allows fixture to be mounted in any orientation
- Compliant with Americans with Disabilities Act (ADA) requirements
- Handcrafted in USA

SPECIFICATIONS

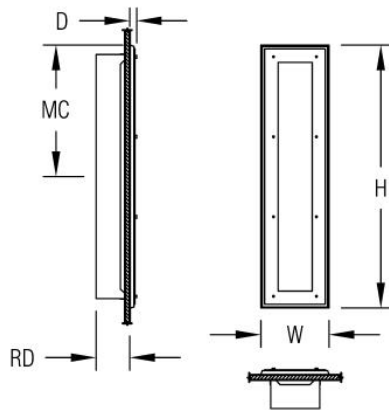
- **LIGHT SOURCE:** IP66 white LED light engine
- **CRI:** 80+ or 90+
- **LUMEN MAINTENANCE:** L70 = >50,000 Hrs.
- **CCT:** 2700K, 3000K, 3500K, 4000K, 5000K
- **DRIVER:** Integral Class 2 power supply standard
- **DIMMING:** 0-10V controls standard to 1% on LED light engines
- **CONTROLS:** Contact factory for control options (e.g., Lutron Athena, Current NX, nLight, Enlighted, Encelium, Wattstopper, WaveLinx, or Casambi)
- **EMERGENCY:** Remote battery option is provided with 10W Constant Power Battery back-up, providing 90 Minutes of Emergency operation. Contact factory for other Emergency



options.

- **CONSTRUCTION:** Formed metal construction provides durable protection for internal components and is recyclable
- **FINISH:** Faceplate is finished to your specification. Choose from 26 standard thermoset polyester powder coat paint colors or brushed aluminum finish. RAL®, Pantone®, or custom finishes available upon request.
- **MODIFICATIONS:** Consult factory for all modification requests
- **APPROVALS:** ETL listed to UL standards (US & Canada) for use in wet locations

DIMENSIONS



W	H	D	MC	RD
6.7 in 17 cm	26 in 66 cm	0.7 in 1.8 cm	13 in 33 cm	3.3 in 8.4 cm

Mounting Weight
Approximate: 25 lb (12 kg)

CONFIGURATOR

To configure your spec sheet online, go to www.spilighting.com/AEW10488. Not all options are available in all configurations; consult factory for details.

Required Field *

Catalog AEW10488	Light Source*	Primary Finish*	Voltage*	Lamp Options*	CRI*	Mounting*	Emergency	Color Accents*	Motif Accents
	A		B	C	D	E	F	G	H

A - LIGHT SOURCE *

To ensure color consistency, SPI uses precise bin selection and strict quality processes to maintain a 3-step (MacAdam) SDCM on all white LED lampings. Published LED luminaire wattages are calculated using a typical power supply efficiency of 88%; exact wattages may vary based on application. Alternative wattages available upon request.

- L29W** | White 29W LED Light Engine | Delivered Lumens: 1,173
- L57W** | White 57W LED Light Engine | Delivered Lumens: 2,346

See last page for finish options

B - VOLTAGE *

- 120-277V** | Universal Voltage

C - LAMP OPTIONS *

Apply multiplier from chart for delivered lumens at other CCT's and CRI's.

- 2700K** | 2700K CCT
- 3000K** | 3000K CCT
- 3500K** | 3500K CCT
- 4000K** | 4000K CCT
- 5000K** | 5000K CCT

	80 CRI	90 CRI
2700K	1.00	0.84
3000K	1.00	0.84
3500K	1.00	0.84
4000K	1.00	0.84
5000K	1.00	0.84

D - CRI *

- DF_80** | (default)
- 90**

E - MOUNTING *

Requires recessed mounting. Additional mounting structure and hardware required (by others).

- DF_REC** | Recessed Wall Mount (default)

F - EMERGENCY

10W, Constant Power Battery Back-up, with 90 minutes of emergency operation. EMR-Damp includes damp location enclosure for Battery back-up. EMR-W/L includes a wet location enclosure for battery back-up.

- EMR-DAMP** | Emergency Battery Remote - Damp Location
- EMR-W/L** | Emergency Battery Remote - Wet Location

G - COLOR ACCENTS *

Contact factory to customize a color gel that coordinates with your application.

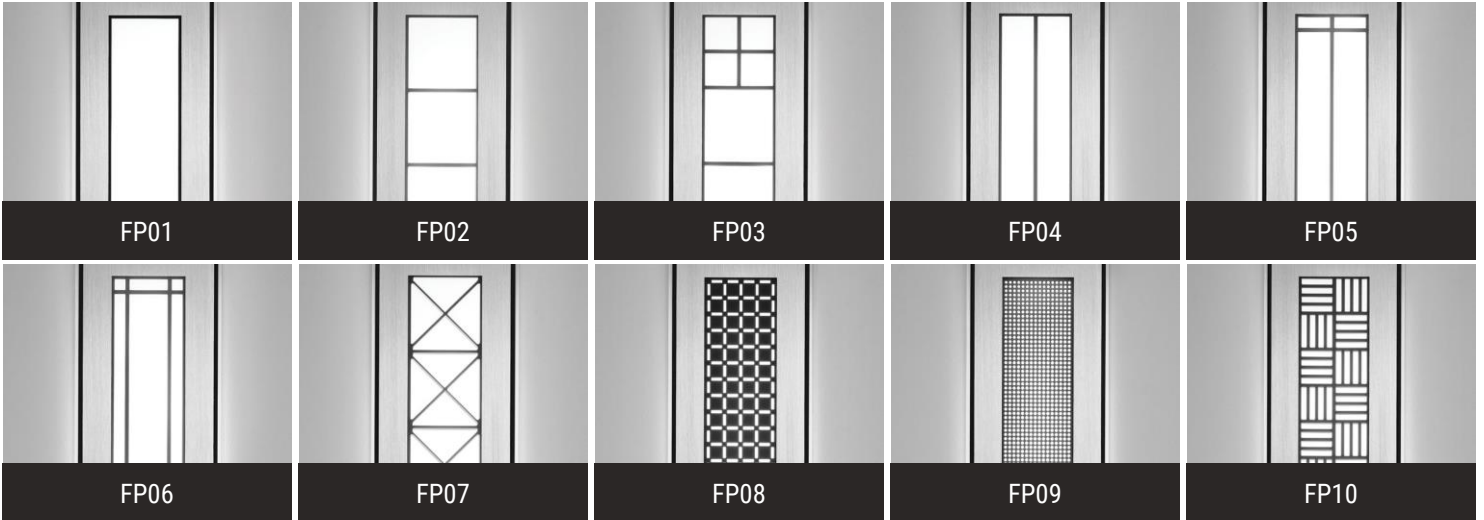
- DF_CG00** | White Color Gel (default)
- CG01** | Red Color Gel
- CG02** | Orange Color Gel
- CG03** | Green Color Gel
- CG04** | Blue Color Gel



H - MOTIF ACCENTS

Optional motif is black, unless specified.

- FP01** | Open
- FP02** | Boxes
- FP03** | Cross Ends
- FP04** | Split
- FP05** | Split 2
- FP06** | Prairie
- FP07** | Thatch
- FP08** | Squares
- FP09** | Perforated
- FP10** | Parquet



Standard Finishes

The colors shown are representative. Their actual appearance may vary due to differences in display settings. You can request color chips by emailing contact@spilighting.com. Please note, finishes may not be available in all configurations.

Paint Colors

PT01 RAL9003 Signal White (Gloss)	PT51 Matte White (Textured)	PT02 White (Textured)	PT04 RAL9001 Cream (Textured)	PT67 RAL7044 Silk Grey (Textured)
PT53 RAL7035 Light Grey (Textured)	PT54 RAL7037 Dusty Grey (Textured)	PT55 RAL7012 Basalt Grey (Textured)	PT56 RAL7016 Anthracite Grey (Textured)	PT11 Black (Textured)
PT57 RAL1015 Light Ivory (Textured)	PT58 RAL8004 Copper Brown (Textured)	PT59 RAL6021 Pale Green (Textured)	PT60 RAL1019 Grey Beige (Textured)	PT61 RAL7006 Beige Grey (Textured)
PT62 RAL1003 Signal Yellow (Textured)	PT63 RAL3001 Signal Red (Textured)	PT64 RAL6001 Emerald Green (Textured)	PT65 RAL5005 Signal Blue (Textured)	PT66 RAL5003 Sapphire Blue (Textured)

Metallic Paint Colors

PT22 Platinum (Metallic Gloss)	PT48 Brass (Metallic Textured)	PT28 Dark Stainless (Metallic Gloss)	PT49 Bronze (Metallic Textured)	PT32 Dark Bronze (Metallic Gloss)
PT46 Aluminum (Metallic Textured)				

Brushed Aluminum

BAL Brushed Aluminum

Specialty Finishes



More RAL®, Pantone®, and custom finishes are available upon request. Setup fee and additional lead time applies. Call factory for details.