

Ashland - Ceiling

AIC8101 16.00 in | Nouveau

JOB NAME:

TYPE:

NOTES:

DESCRIPTION

Classic designs never go out of style. Bring schoolhouse charm along with a state-of-the-art LED package to your vintage, industrial, and reclaimed interiors with the Ashland family of luminaires. And with efficacy of 104 lumens per watt, it delivers the performance needed for today in a traditional form that stands the test of time. Also available in incandescent.

FEATURES & BENEFITS

- Timeless design, modern performance
- Nostalgic feel
- Authentic glass opal diffuser
- Complimentary pendant and wall mounted luminaires help you to carry out a consistent lighting design throughout a space
- Handcrafted in USA

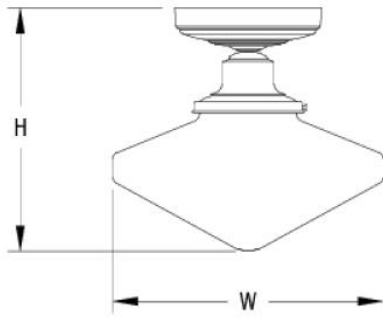
SPECIFICATIONS

- **LIGHT SOURCE:** White LED light engine or incandescent
- **CRI:** 80+ or 90+
- **LUMEN MAINTENANCE:** L70 = >50,000 Hrs.
- **EFFICACY:** 104 lm/W delivered
- **CCT:** 2700K, 3000K, 3500K, 4000K, 5000K
- **DRIVER:** Integral Class 2 power supply standard
- **DIMMING:** 1% minimum dim level standard
- **CONTROLS:** 0-10V standard. Lutron Athena and nLight AIR optional. Contact factory for other controls (e.g., Current NX, Enlighted, Encelium, Wattstopper, WaveLinx, or Casambi).
- **INTEGRATED SURGE PROTECTION:** LED components are protected against minor surge events
- **DIFFUSER:** Opal glass
- **CONSTRUCTION:** Aluminum or brass
- **MOUNTING:** Mounts to standard 4" octagonal junction box
- **EMERGENCY:** Remote battery option is provided with 10W Constant Power Battery back-up, providing 90 Minutes of Emergency operation. Contact factory for other Emergency options.



- **FINISH:** Choose from more than 30 thermoset polyester powder coat paint colors or various metal finishes. RAL®, Pantone®, or custom finishes available upon request.
- **MODIFICATIONS:** Consult factory for all modification requests
- **APPROVALS:** ETL listed to UL standards (US & Canada) for use in damp locations; not recommended for exterior applications

DIMENSIONS



W	H
16 in	14.9 in
40.6 cm	37.8 cm
Mounting Weight	
Approximate: 15 lb (7 kg)	

CONFIGURATOR

To configure your spec sheet online, go to www.spilighting.com/AIC8101. Not all options are available in all configurations; consult factory for details.

Required Field *

Catalog AIC8101	Light Source*	Primary Finish*	Voltage*	Lamp Options*	CRI*	Controls*	Emergency
	A		B	C	D	E	F

A - LIGHT SOURCE *

To ensure color consistency, SPI uses precise bin selection and strict quality processes to maintain a 3-step (MacAdam) SDCM on all white LED lampings. Published LED luminaire wattages are calculated using a typical power supply efficiency of 88%; exact wattages may vary based on application.

- L22W** | White 22W LED Light Engine | Delivered Lumens: 2,290
- L43W** | White 43W LED Light Engine | Delivered Lumens: 4,476
- 1N150**¹ | 1INC150W/A21

See last page for finish options

¹ Incandescent Lamp(s) Not Included

B - VOLTAGE *

- 120-277V** | Universal Voltage
- 120V²** | 120 Volt

² For incandescent light source only

C - LAMP OPTIONS *

Apply multiplier from chart for delivered lumens at other CCT's and CRI's. Not required with incandescent.

- 2700K** | 2700K CCT
- 3000K** | 3000K CCT
- 3500K** | 3500K CCT
- 4000K** | 4000K CCT
- 5000K** | 5000K CCT

	80 CRI	90 CRI
2700K	n/a	0.67
3000K	0.93	0.74
3500K	0.93	0.74
4000K	1.00	0.74
5000K	1.00	n/a

D - CRI *

- DF_80³** | (default)
- 90⁴**

³ Not available in 2700K

⁴ Not available in 5000K

E - CONTROLS *

Extended lead times may apply for controls other than 0-10V. Contact factory for additional control options such as Current NX, Enlighted, Encelium, Wattstopper, WaveLinx, Casambi, or others.

- DF_DIM1** | 0-10V Control, 1% Dimming (default)
- AWNR** | Lutron Athena Wireless Node, 1% Dimming
- NLTA** | Acuity nLight Air, 1% Dimming

F - EMERGENCY

10W, Constant Power Battery Back-up, with 90 minutes of emergency operation. EMR includes damp location enclosure for Battery back-up.

- EMR** | Emergency Battery Remote

Standard Finishes

The colors shown are representative. Their actual appearance may vary due to differences in display settings. You can request color chips by emailing contact@spilighting.com. Please note, finishes may not be available in all configurations.

Paint Colors

PT01 RAL9003 Signal White (Gloss)	PT51 Matte White (Textured)	PT02 White (Textured)	PT04 RAL9001 Cream (Textured)	PT67 RAL7044 Silk Grey (Textured)
PT53 RAL7035 Light Grey (Textured)	PT54 RAL7037 Dusty Grey (Textured)	PT55 RAL7012 Basalt Grey (Textured)	PT56 RAL7016 Anthracite Grey (Textured)	PT11 Black (Textured)
PT57 RAL1015 Light Ivory (Textured)	PT58 RAL8004 Copper Brown (Textured)	PT59 RAL6021 Pale Green (Textured)	PT60 RAL1019 Grey Beige (Textured)	PT61 RAL7006 Beige Grey (Textured)
PT62 RAL1003 Signal Yellow (Textured)	PT63 RAL3001 Signal Red (Textured)	PT64 RAL6001 Emerald Green (Textured)	PT65 RAL5005 Signal Blue (Textured)	PT66 RAL5003 Sapphire Blue (Textured)

Metallic Paint Colors

PT22 Platinum (Metallic Gloss)	PT48 Brass (Metallic Textured)	PT28 Dark Stainless (Metallic Gloss)	PT49 Bronze (Metallic Textured)	PT32 Dark Bronze (Metallic Gloss)
PT46 Aluminum (Metallic Textured)				

Brushed Aluminum

BAL Brushed Aluminum

Brushed Brass

BBR Brushed Solid Brass

Polished-Tinted Brass

ATBR Antique Tinted Brass	DTBR Dark Tinted Brass	PBR Polished Brass
-------------------------------------	----------------------------------	------------------------------

Polished Plated Brass

CPBR Chrome Plated Polished Brass	NPBR Nickel Plated Polished Brass	SNBR Satin Nickel Plated Brass
---	---	--

Specialty Finishes



More RAL®, Pantone®, and custom finishes are available upon request. Setup fee and additional lead time applies. Call factory for details.