

# Novato Frame - Pendant

AIP11886 36.00 in

JOB NAME:

TYPE:

NOTES:

## DESCRIPTION

While highly functional, the Novato family provides a playful twist to make a lasting impression. Versatility is the main strength of this collection as they are perfectly suited for a wide range of modern or traditional environments. Choose from 2', 3' or 4' square pendants. Also available in ceiling mount.

## FEATURES & BENEFITS

- Fully enclosed three-sided luminous form brightens horizontal and vertical planes
- Provides functional lighting with comfortable luminance levels
- Hand-fabricated construction maintains crisp, clean edges
- Seamless construction
- Diffuser available in two heights (see line art for details)
- Hang individually or consult factory to arrange in tiered or nested configurations
- Handcrafted in USA

## SPECIFICATIONS

- **LIGHT SOURCE:** White LED light engine (contact factory for RGBW or Tunable White)
- **CRI:** 80+ or 90+
- **LUMEN MAINTENANCE:** L70 = >50,000 Hrs.
- **EFFICACY:** 104 lm/W delivered
- **CCT:** 2700K, 3000K, 3500K, 4000K, 5000K
- **VOLTAGE:** 120-277V standard
- **DRIVER:** Class 2 power supply integrated in canopy. Max distance to the driver (including OAH) is: #18 AWG = 50', #16 AWG = 75', #14 AWG = 100'. For extended distances, contact factory.
- **DIMMING:** 0-10V controls standard to 1% on LED light engines
- **CONTROLS:** Contact factory for control options (e.g., Lutron Athena, Current NX, nLight, Enlighted, Encelium, Wattstopper, WaveLinx, or Casambi)
- **EMERGENCY:** Remote battery option is provided with 10W Constant Power Battery back-up, providing 90 Minutes of

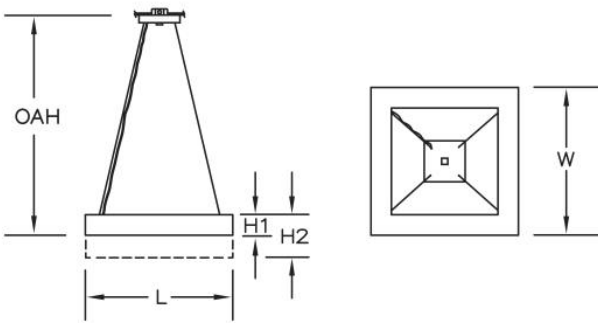


EMR

Emergency operation. Contact factory for other Emergency options.

- **DIFFUSER:** Matte opal acrylic
- **FINISH:** Top plate is always white (PT01). Canopy finished to your specification. Choose from 26 standard thermoset polyester powder coat paint colors. RAL®, Pantone®, or custom finishes available upon request.
- **MODIFICATIONS:** Consult factory for all modification requests, including RGBW, Tunable White, straight cable mounting, rectangles, or acoustic panel options
- **APPROVALS:** ETL listed to UL standards (US & Canada) for use in damp locations; not recommended for exterior applications

## DIMENSIONS



W	H1	H2	OAH	L
36 in	5 in	10 in	54 in	36 in
91.4 cm	12.7 cm	25.4 cm	137.2 cm	91.4 cm

**Mounting Weight**  
Approximate: 15 lb (7 kg)

## CONFIGURATOR

To configure your spec sheet online, go to [www.spilighting.com/AIP11886](http://www.spilighting.com/AIP11886). Not all options are available in all configurations; consult factory for details.

### Required Field \*

Catalog	Light Source*	Primary Finish*	Voltage*	Lamp Options*	CRI*	Diffuser Height*	Diffuser Finish*	Mounting*	Emergency	Other Than Standard Options
AIP11886	A		B	C	D	E	F	G	H	I

## A - LIGHT SOURCE \*

To ensure color consistency, SPI uses precise bin selection and strict quality processes to maintain a 3-step (MacAdam) SDCM on all white LED lampings. Published LED luminaire wattages are calculated using a typical power supply efficiency of 88%; exact wattages may vary based on application. Alternative wattages available upon request.

**L71W** | White 71W LED Light Engine | Delivered Lumens: 7,391

**L141W** | White 141W LED Light Engine | Delivered Lumens: 14,678

See last page for finish options

## B - VOLTAGE \*

120-277V | Universal Voltage

## C - LAMP OPTIONS \*

Apply multiplier from chart for delivered lumens at other CCT's and CRI's.

- 2700K | 2700K CCT
- 3000K | 3000K CCT
- 3500K | 3500K CCT
- 4000K | 4000K CCT
- 5000K | 5000K CCT

	80 CRI	90 CRI
2700K	1.00	0.84
3000K	1.00	0.84
3500K	1.00	0.84
4000K	1.00	0.84
5000K	1.00	0.84

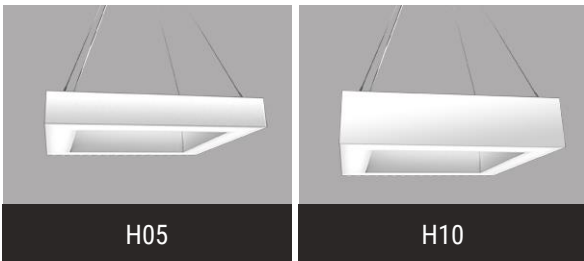
## D - CRI \*

- DF\_80 | (default)
- 90

## E - DIFFUSER HEIGHT \*

Please choose one:

- H05 | 5" Height
- H10 | 10" Height



## F - DIFFUSER FINISH \*

- FB00 | Matte Opal Diffuser



FB00

## G - MOUNTING \*

---

Mounts over standard 4" octagonal junction box with auxiliary mounting holes. 12" canopy features field adjustable aircraft cables that allow the fixture to be mounted at an application appropriate height (up to OAH). White power cord.

**DF\_PSA** | 12" Power Supply Canopy & Aircraft Cable (default)

## H - EMERGENCY

---

10W, Constant Power Battery Back-up, with 90 minutes of emergency operation. EMR includes damp location enclosure for Battery back-up.

**EMR** | Emergency Battery Remote

## I - OTHER THAN STANDARD OPTIONS

---

Specify overall height required from ceiling to the bottom of the fixture.

**OAH** | Pendant suspension length other than standard Length:

## Standard Finishes

The colors shown are representative. Their actual appearance may vary due to differences in display settings. You can request color chips by emailing [contact@spilighting.com](mailto:contact@spilighting.com). Please note, finishes may not be available in all configurations.

### Paint Colors

<b>PT01</b> RAL9003 Signal White (Gloss)	<b>PT51</b> Matte White (Textured)	<b>PT02</b> White (Textured)	<b>PT04</b> RAL9001 Cream (Textured)	<b>PT67</b> RAL7044 Silk Grey (Textured)
<b>PT53</b> RAL7035 Light Grey (Textured)	<b>PT54</b> RAL7037 Dusty Grey (Textured)	<b>PT55</b> RAL7012 Basalt Grey (Textured)	<b>PT56</b> RAL7016 Anthracite Grey (Textured)	<b>PT11</b> Black (Textured)
<b>PT57</b> RAL1015 Light Ivory (Textured)	<b>PT58</b> RAL8004 Copper Brown (Textured)	<b>PT59</b> RAL6021 Pale Green (Textured)	<b>PT60</b> RAL1019 Grey Beige (Textured)	<b>PT61</b> RAL7006 Beige Grey (Textured)
<b>PT62</b> RAL1003 Signal Yellow (Textured)	<b>PT63</b> RAL3001 Signal Red (Textured)	<b>PT64</b> RAL6001 Emerald Green (Textured)	<b>PT65</b> RAL5005 Signal Blue (Textured)	<b>PT66</b> RAL5003 Sapphire Blue (Textured)

### Metallic Paint Colors

<b>PT22</b> Platinum (Metallic Gloss)	<b>PT48</b> Brass (Metallic Textured)	<b>PT28</b> Dark Stainless (Metallic Gloss)	<b>PT49</b> Bronze (Metallic Textured)	<b>PT32</b> Dark Bronze (Metallic Gloss)
<b>PT46</b> Aluminum (Metallic Textured)				

## Specialty Finishes



More RAL®, Pantone®, and custom finishes are available upon request. Setup fee and additional lead time applies. Call factory for details.