

Novato Convex Ring

AIP11980 52.00 in

SPILIGHTING

PROJECT DETAILS

JOB NAME:

TYPE:

NOTES:

DESCRIPTION

While highly functional, the Novato family provides a playful twist to make a lasting impression. Versatility is the main strength of this collection as they are perfectly suited for a wide range of modern or traditional environments. Customize your visual environment with the Novato Convex Ring by choosing a matte acrylic diffuser or from four fabric options. Available in 26", 39", and 52" diameters.

FEATURES & BENEFITS

- Hang individually or consult factory to arrange in tiered, orbiting, or nested configurations
- Optional fabric lenses are cleanable
- Handcrafted in USA

SPECIFICATIONS

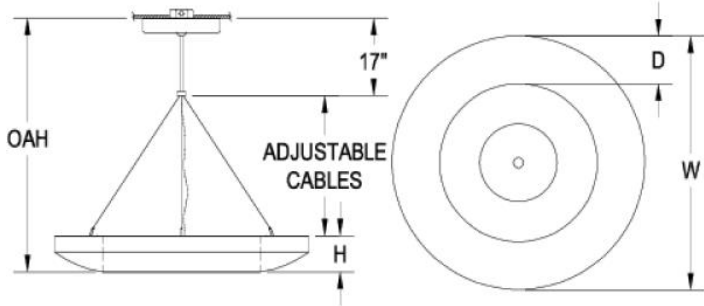
- **LIGHT SOURCE:** White LED light engine
- **CRI:** 80+ or 90+
- **LUMEN MAINTENANCE:** L70 = >50,000 Hrs.
- **EFFICACY:** 102 lm/W delivered
- **CCT:** 2700K, 3000K, 3500K, 4000K, 5000K
- **VOLTAGE:** 120-277V standard
- **DRIVER:** Class 2 power supply integrated in canopy. Max distance to the driver is 15' (includes OAH). For extended distances, contact factory.
- **DIMMING:** 0-10V controls standard to 10% on LED light engines
- **CONTROLS:** Contact factory for control options (e.g., Lutron Athena, Current NX, nLight, Enlighted, Encelium, Wattstopper, WaveLinx, or Casambi)
- **EMERGENCY:** Remote battery option is provided with 10W Constant Power Battery back-up, providing 90 Minutes of Emergency operation. Contact factory for other Emergency options.
- **DIFFUSER:** Choose matte opal diffuser or from four fabrics
- **CONSTRUCTION:** Seamless bottom and minimal lap joint(s) on inner and outer surfaces; edges are fused with solvent that permanently binds acrylic



EMR

- **FINISH:** Canopy, stem, and hub finished to match. To specify separately, contact factory. Choose from 26 standard thermoset polyester powder coat paint colors. RAL®, Pantone®, or custom finishes available upon request.
- **MODIFICATIONS:** Consult factory for all modification requests
- **APPROVALS:** ETL listed to UL standards (US & Canada) for use in damp locations; not recommended for exterior applications

DIMENSIONS



W	H	D	OAH
52 in	7.5 in	10 in	54 in
132.1 cm	19 cm	25.4 cm	137.2 cm

Mounting Weight
Consult Factory.

CONFIGURATOR

To configure your spec sheet online, go to www.spilighting.com/AIP11980. Not all options are available in all configurations; consult factory for details.

Required Field *

Catalog	Light Source*	Primary Finish*	Voltage*	Lamp Options*	CRI*	Diffuser Finish*	Mounting*	Emergency	Other Than Standard Options
AIP11980	A	B	C	D	E	F	G	H	

A - LIGHT SOURCE *

To ensure color consistency, SPI uses precise bin selection and strict quality processes to maintain a 3-step (MacAdam) SDCM on all white LED lampings. Published LED luminaire wattages are calculated using a typical power supply efficiency of 88%; exact wattages may vary based on application.

- L75W** | White 75W LED Light Engine | Delivered Lumens: 7,701
- L151W** | White 151W LED Light Engine | Delivered Lumens: 15,403

See last page for finish options

B - VOLTAGE *

- 120-277V** | Universal Voltage

C - LAMP OPTIONS *

Apply multiplier from chart for delivered lumens at other CCT's and CRI's.

- 2700K** | 2700K CCT
- 3000K** | 3000K CCT
- 3500K** | 3500K CCT
- 4000K** | 4000K CCT
- 5000K** | 5000K CCT

	80 CRI	90 CRI
2700K	1.00	0.84
3000K	1.00	0.84
3500K	1.00	0.84
4000K	1.00	0.84
5000K	1.00	0.84

D - CRI *

- DF_80** | (default)
- 90**

E - DIFFUSER FINISH *

Please choose one:

- FB00** | Matte Opal Diffuser
- FB01** | Fabric - Textured White Linen
- FB02** | Fabric - Rapids
- FB03** | Fabric - Chocolate Linen
- FB05** | Fabric - Jute Linen



F - MOUNTING *

Mounts to standard 4" octagonal junction box with auxiliary mounting holes. Power supply canopy features a 45 degree swivel and meets earthquake requirements. Fixture suspends from hub by 3 aircraft cables and includes white power cord. Field adjustable aircraft cable allows the fixture to be mounted at an application appropriate height (up to OAH).

- DF_PSS** | 12" Power Supply Canopy & Stem (default)

G - EMERGENCY

10W, Constant Power Battery Back-up, with 90 minutes of emergency operation. EMR includes damp location enclosure for Battery back-up.

EMR | Emergency Battery Remote

H - OTHER THAN STANDARD OPTIONS

Specify overall height required from ceiling to the bottom of the fixture. Finished ceiling to bottom of the hub is constant at 17" regardless of OAH. Minimum adjustable cable length is half of fixture width (W).

OAH | Pendant suspension length other than standard Length:

Standard Finishes

The colors shown are representative. Their actual appearance may vary due to differences in display settings. You can request color chips by emailing contact@spilighting.com. Please note, finishes may not be available in all configurations.

Paint Colors

PT01 RAL9003 Signal White (Gloss)	PT51 Matte White (Textured)	PT02 White (Textured)	PT04 RAL9001 Cream (Textured)	PT67 RAL7044 Silk Grey (Textured)
PT53 RAL7035 Light Grey (Textured)	PT54 RAL7037 Dusty Grey (Textured)	PT55 RAL7012 Basalt Grey (Textured)	PT56 RAL7016 Anthracite Grey (Textured)	PT11 Black (Textured)
PT57 RAL1015 Light Ivory (Textured)	PT58 RAL8004 Copper Brown (Textured)	PT59 RAL6021 Pale Green (Textured)	PT60 RAL1019 Grey Beige (Textured)	PT61 RAL7006 Beige Grey (Textured)
PT62 RAL1003 Signal Yellow (Textured)	PT63 RAL3001 Signal Red (Textured)	PT64 RAL6001 Emerald Green (Textured)	PT65 RAL5005 Signal Blue (Textured)	PT66 RAL5003 Sapphire Blue (Textured)

Metallic Paint Colors

PT22 Platinum (Metallic Gloss)	PT48 Brass (Metallic Textured)	PT28 Dark Stainless (Metallic Gloss)	PT49 Bronze (Metallic Textured)	PT32 Dark Bronze (Metallic Gloss)
PT46 Aluminum (Metallic Textured)				

Specialty Finishes



More RAL®, Pantone®, and custom finishes are available upon request. Setup fee and additional lead time applies. Call factory for details.