

Zynn Ring 2', 3', 4', 5' - Pendant

AIP12094 23.90 in

JOB NAME:

TYPE:

NOTES:

DESCRIPTION

With a cross-section of just 1.25", Zynn Ring is a minimalist masterpiece. Its best-in-market construction features a hand-fabricated seamless aluminum housing and seamless diffuser which give the luminaire its exceptionally clean appearance. Characterized by a refined fit and finish, Zynn Ring is a favorite for today's architects and designers. Energized cables give it a sophisticated weightless presence. Zynn Ring pendants are available in 2' to 5' diameters and sizes up to 10' with segmented construction. Other sizes available per project request.

FEATURES & BENEFITS

- One of the slimmest profiles on the market
- Seamless aluminum housing with no visible fasteners
- Seamless matte opal acrylic diffuser sits slightly regressed (.03") from bottom edge of fixture
- Smooth light with zero pixelation
- Go cordless with 1mm energized cables
- Available in direct or semi-direct distributions
- Pairs well with other slimline products in the Zynn family
- Handcrafted in USA

SPECIFICATIONS

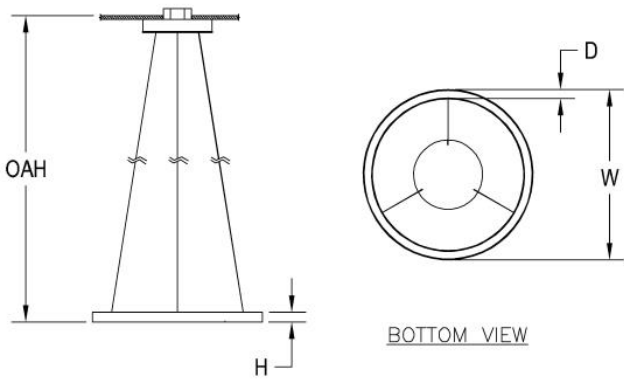
- **LIGHT SOURCE:** White LED light engine
- **CRI:** 80+ or 90+
- **LUMEN MAINTENANCE:** L70 = >50,000 Hrs.
- **EFFICACY:** Up to 59 lm/W delivered with power cord
- **CCT:** 2700K, 3000K, 3500K, 4000K, 5000K
- **VOLTAGE:** 120-277V standard
- **DRIVER:** Choose from power supply integrated in canopy or remote. See mounting section for max driver distances.
- **DIMMING:** 1% minimum dim level standard
- **CONTROLS:** 0-10V standard. Lutron Athena, Current NX, and nLight AIR optional. Contact factory for other controls (e.g., Enlighted, Encelium, Wattstopper, WaveLinx, or Casambi)
- **EMERGENCY:** Remote battery option is provided with 10W Constant Power Battery back-up, providing 90 Minutes of



Emergency operation. Contact factory for other Emergency options.

- **INTEGRATED SURGE PROTECTION:** LED components are protected against minor surge events
- **DIFFUSER:** Matte opal acrylic
- **CONSTRUCTION:** Housing fabricated from 6000 series aluminum extrusion
- **FINISH:** Housing and canopy finished to match (except button canopy). To specify separately, contact factory. Choose from 26 standard thermoset polyester powder coat paint colors or various metal finishes. RAL®, Pantone®, or custom finishes available upon request.
- **MODIFICATIONS:** Consult factory for all modification requests, including different sizes or acoustic panel options
- **APPROVALS:** ETL listed to UL standards (US & Canada) for use in dry locations with use of energized cables or damp locations with use of power cord; not suitable for exterior applications

DIMENSIONS



W	H	D	OAH
23.9 in	1.2 in	1.2 in	54 in
60.7 cm	3 cm	3 cm	137.2 cm

Mounting Weight
Approximate: 10 lb (5 kg)

CONFIGURATOR

To configure your spec sheet online, go to www.spilighting.com/AIP12094. Not all options are available in all configurations; consult factory for details.

Required Field *

Catalog	Light Source*	Primary Finish*	Voltage*	Lamp Options*	CRI*	Controls*	Mounting*	Emergency	Optical Distribution*	Other Than Standard Options
AIP12094	A		B	C	D	E	F	G	H	I

A - LIGHT SOURCE *

To ensure color consistency, SPI uses precise bin selection and strict quality processes to maintain a 3-step (MacAdam) SDCM on all white LED lampings. Published LED luminaire wattages are calculated using a typical power supply efficiency of 88%; exact wattages may vary based on

application. Published luminaire wattages are for fixtures with power cord or "zero length" energized cables. When choosing energized cables, fixture wattages increase 1W per foot of OAH for low output and 2.5W per foot of OAH for high output. Voltage drop in energized cables reduces fixture efficacy; minimize OAH or choose an aircraft cable and power cord mounting to maximize efficacy. Alternative wattages available upon request.

L22W | White 22W LED Light Engine | Delivered Lumens: 1,302

L40W | White 40W LED Light Engine | Delivered Lumens: 2,368

[See last page for finish options](#)

B - VOLTAGE *

120-277V | Universal Voltage

C - LAMP OPTIONS *

Apply multiplier from chart for delivered lumens at other CCT's and CRI's.

2700K | 2700K CCT

3000K | 3000K CCT

3500K | 3500K CCT

4000K | 4000K CCT

5000K | 5000K CCT

	80 CRI	90 CRI
2700K	1.00	0.84
3000K	1.00	0.84
3500K	1.00	0.84
4000K	1.00	0.84
5000K	1.00	0.84

D - CRI *

DF_80 | (default)

90

E - CONTROLS *

DF_DIM1 | 0-10V Control, 1% Dimming (default)

AWN¹ | Lutron Athena Wireless Node, 1% Dimming

NX¹ | Current NX Wireless, 1% Dimming

NLTA¹ | Acuity nLight Air, 1% Dimming

¹ Canopy dimensions may change for MCE and MCP mountings.

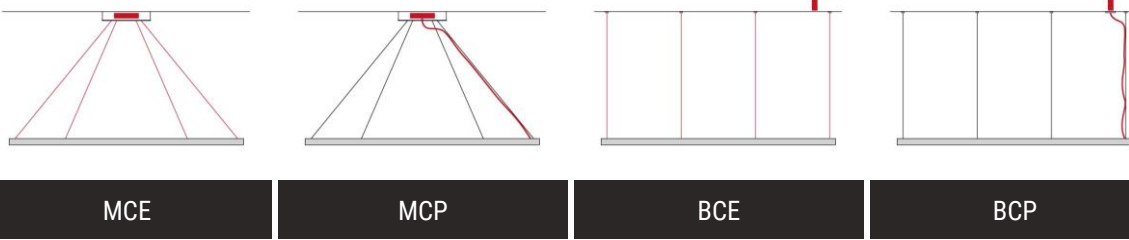
F - MOUNTING *

MCE and BCE max distance to the driver (including OAH) is 15' for low output and 7' for high output. BCE and BCP max distance to the driver (including OAH) is: #18 AWG = 50', #16 AWG = 75', #14 AWG = 100'. For extended distances, contact factory. MCE, MCP and BCP mount to standard 4" octagonal junction box. BCP option includes standalone (independent of ceiling couplers) junction box cover. BCE option requires access above the ceiling and uses ceiling coupler (with cable gripper) to mount to electrically non-conductive structure above. Coupler mounts to ceiling using a 3/8" through hole with a maximum structure thickness of 1.25". Excess cable exits ceiling coupler above structure to be connected to Class II power lead (BCE). Field adjustable cables allow fixture to be mounted at an application appropriate height (up to OAH). Luminaire shown above features MCE mounting. Please choose one:

- MCE**² | 10" Monopoint Canopy with Power Supply & 3 Energized Cables
- MCP**² | 10" Monopoint Canopy with Power Supply & 3 Aircraft Cables with White Power Cord
- BCE**³ | 1/2" Button Canopy with 3 Straight Energized Cables, Remote Supply
- BCP**³ | 1/2" Button Canopy & 3 Straight Aircraft Cables with White Power Cord, Remote Supply

² Minimum OAH is half the diameter of the ring

³ Button canopy finished as machined aluminum and not painted to match housing



G - EMERGENCY

10W, Constant Power Battery Back-up, with 90 minutes of emergency operation. EMR includes damp location enclosure for Battery back-up.

- EMR** | Emergency Battery Remote

H - OPTICAL DISTRIBUTION *

Choose DID option for 80% down/20% up distribution. Uplight slits with a matte opal diffuser added to top of housing, as shown below.

- DF_DIR** | Direct (default)
- DID**⁴ | Direct / Indirect

⁴ Apply .83 multiplier for delivered lumens



I - OTHER THAN STANDARD OPTIONS

Specify overall height required from ceiling to the bottom of the fixture.

OAH | Pendant suspension length other than standard

Standard Finishes

The colors shown are representative. Their actual appearance may vary due to differences in display settings. You can request color chips by emailing contact@spilighting.com. Please note, finishes may not be available in all configurations.

Paint Colors

PT01 RAL9003 Signal White (Gloss)	PT51 Matte White (Textured)	PT02 White (Textured)	PT04 RAL9001 Cream (Textured)	PT67 RAL7044 Silk Grey (Textured)
PT53 RAL7035 Light Grey (Textured)	PT54 RAL7037 Dusty Grey (Textured)	PT55 RAL7012 Basalt Grey (Textured)	PT56 RAL7016 Anthracite Grey (Textured)	PT11 Black (Textured)
PT57 RAL1015 Light Ivory (Textured)	PT58 RAL8004 Copper Brown (Textured)	PT59 RAL6021 Pale Green (Textured)	PT60 RAL1019 Grey Beige (Textured)	PT61 RAL7006 Beige Grey (Textured)
PT62 RAL1003 Signal Yellow (Textured)	PT63 RAL3001 Signal Red (Textured)	PT64 RAL6001 Emerald Green (Textured)	PT65 RAL5005 Signal Blue (Textured)	PT66 RAL5003 Sapphire Blue (Textured)

Metallic Paint Colors

PT22 Platinum (Metallic Gloss)	PT48 Brass (Metallic Textured)	PT28 Dark Stainless (Metallic Gloss)	PT49 Bronze (Metallic Textured)	PT32 Dark Bronze (Metallic Gloss)
PT46 Aluminum (Metallic Textured)				

Brushed Aluminum

BAL Brushed Aluminum	MAL Microbrushed Aluminum
--------------------------------	-------------------------------------

Specialty Finishes



More RAL®, Pantone®, and custom finishes are available upon request. Setup fee and additional lead time applies. Call factory for details.