

Novato 2" Lines + Arcs

AIP12234 2.00 in | Lines

JOB NAME:

TYPE:

NOTES:

DESCRIPTION

This revolutionary modular system of luminous lines empowers you to create an infinite array of designs with ease, using all standard products. Get creative with crisp linear runs, precise angles, flowing curves, and sweeping elevation changes. There's no limit to what you can design with these architectural building blocks of light. Impeccably designed with continuous illumination, Novato 2" Lines + Arcs exhibits clean lines with no breaks in the light. Luminous on three sides, it adds dimension by broadening the distribution of light. Plus, efficacy surpasses 100 lumens per watt! For a complimentary lighting layout, contact our applications team at SPITeam@spilighting.com.

FEATURES & BENEFITS

- Slim 2"x2" line of light
- Three-sided luminous form brightens horizontal and vertical planes
- 70% direct/30% indirect distribution
- Up to 1,135 lm/ft
- Provides functional lighting with comfortable luminance levels
- Ideal for separating open offices, providing wayfinding, or adding markings
- Up to 550' of continuous light with just one power drop
- Maneuvers easily around obstructions
- Easy daisy chain wiring simplifies installation
- Hidden internal aircraft cable grippers are easy to adjust
- Luminous Arcs (AIP12235), Elevation Change (AIP12236), and Connectors (AIP12237) are ordered separately
- Handcrafted in USA

SPECIFICATIONS

- **LIGHT SOURCE:** White LED light engine
- **CRI:** 80+ or 90+
- **LUMEN MAINTENANCE:** L80 = >36,000 Hrs.
- **EFFICACY:** 106 lm/W delivered
- **CCT:** 2700K, 3000K, 3500K, 4000K, 5000K
- **VOLTAGE:** 120-277V standard
- **DRIVER:** Integral Class 2 power supply. Power drop kit required

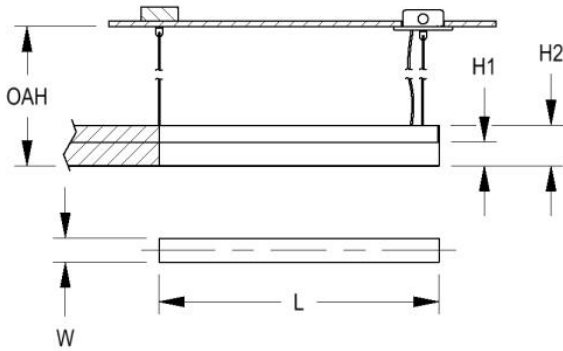


for each continuous run; see catalog CPS12238 to order.

Connect power drops anywhere along the run.

- **MAX AMBIENT OPERATING TEMP:** 34.5°C (94°F)
- **DIMMING:** 1% minimum dim level standard
- **CONTROLS:** 0-10V standard. Lutron Athena and Current NX optional. Contact factory for other controls (e.g., nLight AIR, Enlighted, Encelium, Wattstopper, WaveLinx, or Casambi).
- **EMERGENCY:** Remote battery option is provided with 10W Constant Power Battery back-up, providing 90 Minutes of Emergency operation. Contact factory for other Emergency options.
- **INTEGRATED SURGE PROTECTION:** LED components are protected against minor surge events
- **EMERGENCY:** Contact factory for remote options
- **DIFFUSER:** Matte opal acrylic
- **CONSTRUCTION:** Housing fabricated from 6000 series aluminum
- **FINISH:** Choose from 26 standard thermoset polyester powder coat paint colors or various metal finishes. RAL®, Pantone®, or custom finishes available upon request.
- **MODIFICATIONS:** Consult factory for all modification requests, including alternate configurations
- **APPROVALS:** ETL listed to UL standards (US & Canada) for use in damp locations; not recommended for exterior applications

DIMENSIONS



2FT	W	L	OAH	H1	H2
	2 in 5.1 cm	24 in 61 cm	48 in 121.9 cm	2 in 5.1 cm	3.5 in 8.8 cm

Mounting Weight: Approximate: 5 lb (3 kg)

3FT	W	L	OAH	H1	H2
	2 in 5.1 cm	36 in 91.4 cm	48 in 121.9 cm	2 in 5.1 cm	3.5 in 8.8 cm

Mounting Weight: Approximate: 5 lb (3 kg)

4FT	W	L	OAH	H1	H2
	2 in 5.1 cm	48 in 121.9 cm	48 in 121.9 cm	2 in 5.1 cm	3.5 in 8.8 cm

Mounting Weight: Approximate: 10 lb (5 kg)

5FT	W	L	OAH	H1	H2
	2 in 5.1 cm	60 in 152.4 cm	48 in 121.9 cm	2 in 5.1 cm	3.5 in 8.8 cm

Mounting Weight: Approximate: 10 lb (5 kg)

6FT	W	L	OAH	H1	H2
	2 in 5.1 cm	72 in 182.9 cm	48 in 121.9 cm	2 in 5.1 cm	3.5 in 8.8 cm

Mounting Weight: Approximate: 10 lb (5 kg)

7FT	W	L	OAH	H1	H2
	2 in 5.1 cm	84 in 213.4 cm	48 in 121.9 cm	2 in 5.1 cm	3.5 in 8.8 cm

Mounting Weight: Approximate: 10 lb (5 kg)

8FT	W	L	OAH	H1	H2
	2 in 5.1 cm	96 in 243.8 cm	48 in 121.9 cm	2 in 5.1 cm	3.5 in 8.8 cm

Mounting Weight: Approximate: 15 lb (7 kg)

CONFIGURATOR

To configure your spec sheet online, go to www.spilighting.com/AIP12234. Not all options are available in all configurations; consult factory for details.

Required Field *

Catalog	Light Source*	Primary Finish*	Voltage*	Lamp Options*	CRI*	Controls*	Mounting*	Emergency	Other Than Standard Options	Configuration*
AIP12234										
	A		B	C	D	E	F	G	H	I

A - LIGHT SOURCE *

To ensure color consistency, SPI uses precise bin selection and strict quality processes to maintain a 3-step (MacAdam) SDCM on all white LED lampings. Published LED luminaire wattages are calculated using a typical power supply efficiency of 88%; exact wattages may vary based on application. Alternative wattages available upon request.

2 FOOT NOMINAL FIXTURE

- 2FT-L10W** | White 10W LED Light Engine | Delivered Lumens: 1,068
- 2FT-L20W** | White 20W LED Light Engine | Delivered Lumens: 2,136

3 FOOT NOMINAL FIXTURE

- 3FT-L16W** | White 16W LED Light Engine | Delivered Lumens: 1,709
- 3FT-L32W** | White 32W LED Light Engine | Delivered Lumens: 3,418

4FT-L21W | White 21W LED Light Engine | Delivered Lumens: 2,243

4FT-L42W | White 42W LED Light Engine | Delivered Lumens: 4,486

4 FOOT NOMINAL FIXTURE

5 FOOT NOMINAL FIXTURE

5FT-L26W | White 26W LED Light Engine | Delivered Lumens: 2,777

5FT-L52W | White 52W LED Light Engine | Delivered Lumens: 5,554

6 FOOT NOMINAL FIXTURE

6FT-L32W | White 32W LED Light Engine | Delivered Lumens: 3,418

6FT-L64W | White 64W LED Light Engine | Delivered Lumens: 6,835

7 FOOT NOMINAL FIXTURE

7FT-L36W | White 36W LED Light Engine | Delivered Lumens: 3,845

7FT-L73W | White 73W LED Light Engine | Delivered Lumens: 7,796

8 FOOT NOMINAL FIXTURE

8FT-L42W | White 42W LED Light Engine | Delivered Lumens: 4,486

8FT-L85W | White 85W LED Light Engine | Delivered Lumens: 9,078

See last page for finish options

B - VOLTAGE *

120-277V | Universal Voltage

C - LAMP OPTIONS *

Apply multiplier from chart for delivered lumens at other CCT's and CRI's.

2700K | 2700K CCT

3000K | 3000K CCT

3500K | 3500K CCT

4000K | 4000K CCT

5000K | 5000K CCT

	80 CRI	90 CRI
2700K	0.91	0.77
3000K	0.94	0.80
3500K	0.97	0.82
4000K	1.00	0.85
5000K	1.00	0.85

D - CRI *

DF_80 | (default)

90

E - CONTROLS *

- DF_DIM1** | 0-10V Control, 1% Dimming (default)
- AWN1** ¹ | Lutron Athena Wireless Node, 1% Dimming
- NX** ¹ | Current NX Wireless, 1% Dimming

¹ Contact factory for complimentary layout including controls package.

F - MOUNTING *

For mounting center information, go to <https://www.spilighting.com/AIP12234> > Downloads > Install Sheets. Power drop canopy mounts to standard 4" octagonal junction box. Field adjustable aircraft cables allow fixture to be mounted at an application appropriate height (up to OAH). The aircraft ceiling coupler can be connected to the power drop canopy or can be separated from the power drop canopy to gain flexibility in mounting. See Downloads on website for mounting center measurements. Aircraft cable suspension uses ceiling coupler to mount to structure above. Coupler accepts 1/4-20 threaded rod or can be anchored using through hole (hardware by others). **INSTALLATION NOTES:** During installation, the contractor is responsible for using the actual fixtures to ensure accurate mounting centers from one fixture to the next along the length of the linear run.

- DF_AC** | Aircraft Cable (default)

G - EMERGENCY

EMR is provided with a remote 10W, constant power battery back-up, for 90 Minutes of emergency operation, in a damp listed enclosure. EMC option if for direct connection to alternate emergency circuit (EM power By Others). All EM options in common section are provided with pass through wiring for normal power circuit within the configuration.

- EMC** | Emergency Circuit
- EMR** | Emergency Battery Remote

H - OTHER THAN STANDARD OPTIONS

Specify overall height required from ceiling to the bottom of the fixture.

OAH | Pendant suspension length other than standard Length:

I - CONFIGURATION *

Standalone pendants have two finished ends and include a power drop kit with a canopy that's finished to match the housing. Start/End units feature one joiner end and one finished end. Common units feature two joiner ends. Start/End and Common sections do not come with a power drop; see CPS12238 to order separately. Contact the factory for help determining how many drops your layout requires.

- COM** | Common
- SAP** | Standalone Pendant
- S/E** | Start/End

Standard Finishes

The colors shown are representative. Their actual appearance may vary due to differences in display settings. You can request color chips by emailing contact@spilighting.com. Please note, finishes may not be available in all configurations.

Paint Colors

PT01 RAL9003 Signal White (Gloss)	PT51 Matte White (Textured)	PT02 White (Textured)	PT04 RAL9001 Cream (Textured)	PT67 RAL7044 Silk Grey (Textured)
PT53 RAL7035 Light Grey (Textured)	PT54 RAL7037 Dusty Grey (Textured)	PT55 RAL7012 Basalt Grey (Textured)	PT56 RAL7016 Anthracite Grey (Textured)	PT11 Black (Textured)
PT57 RAL1015 Light Ivory (Textured)	PT58 RAL8004 Copper Brown (Textured)	PT59 RAL6021 Pale Green (Textured)	PT60 RAL1019 Grey Beige (Textured)	PT61 RAL7006 Beige Grey (Textured)
PT62 RAL1003 Signal Yellow (Textured)	PT63 RAL3001 Signal Red (Textured)	PT64 RAL6001 Emerald Green (Textured)	PT65 RAL5005 Signal Blue (Textured)	PT66 RAL5003 Sapphire Blue (Textured)

Metallic Paint Colors

PT22 Platinum (Metallic Gloss)	PT48 Brass (Metallic Textured)	PT28 Dark Stainless (Metallic Gloss)	PT49 Bronze (Metallic Textured)	PT32 Dark Bronze (Metallic Gloss)
PT46 Aluminum (Metallic Textured)				

Specialty Finishes



More RAL®, Pantone®, and custom finishes are available upon request. Setup fee and additional lead time applies. Call factory for details.