

# London (2) Bowl Chandelier

AIP8568 31.50 in

JOB NAME:

TYPE:

NOTES:

## DESCRIPTION

London is part of our classic bowl collection, hallmarked by the proven simplicity and purity of timeless geometry. It features a deeper shape ideal for mid to high height ceiling applications. The family includes pendant, chandelier, wall-mounted, and ceiling models to illuminate and enhance the visual environment.

## FEATURES & BENEFITS

- Opal acrylic diffuser lens enhances a space with filtered illumination
- Spun metal trim ring adds high-quality, decorative element to fixture
- Hinge and latch assembly simplifies relamping by eliminating the need to remove and manage fixture bowl
- Handcrafted in USA

## SPECIFICATIONS

- **LIGHT SOURCE:** White LED light engine or incandescent
- **CRI:** 80+ or 90+
- **LUMEN MAINTENANCE:** L70 = >50,000 Hrs.
- **CCT:** Available LED color temperatures: 2700K, 3000K, 3500K, 4000K, 5000K
- **DRIVER:** LED versions feature integral Class 2 power supply standard
- **DIMMING:** 0-10V controls standard to 1% on LED light engines
- **CONTROLS:** Contact factory for control options (e.g., Lutron Athena, Current NX, nLight, Enlighted, Encelium, Wattstopper, WaveLinx, or Casambi)
- **EMERGENCY:** Remote battery option is provided with 10W Constant Power Battery back-up, providing 90 Minutes of Emergency operation. Contact factory for other Emergency options.
- **DIFFUSER:** Opal acrylic is standard; matte acrylic and hand painted lenses optional. Any upward facing LEDs will be covered with a protective lens.
- **CONSTRUCTION:** Formed metal construction provides durable

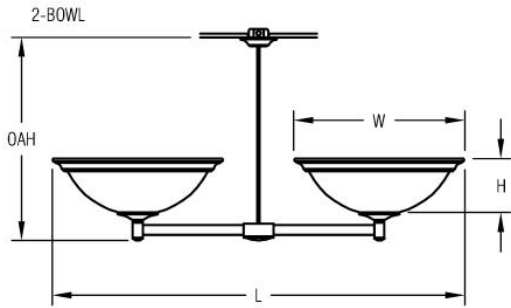


EMR

protection for internal components and is recyclable

- **MODIFICATIONS:** Consult factory for all modification requests
- **APPROVALS:** ETL listed to UL standards (US & Canada) for use in damp locations; not recommended for exterior applications

## DIMENSIONS



|          |          |            |          |
|----------|----------|------------|----------|
| <b>W</b> | <b>H</b> | <b>OAH</b> | <b>L</b> |
| 31.5 in  | 10 in    | 50 in      | 76 in    |
| 80 cm    | 25.4 cm  | 127 cm     | 193 cm   |

**Mounting Weight**  
Approximate: 100 lb (46 kg)

## CONFIGURATOR

To configure your spec sheet online, go to [www.spilighting.com/AIP8568](http://www.spilighting.com/AIP8568). Not all options are available in all configurations; consult factory for details.

### Required Field \*

|         |               |                 |          |               |      |           |           |           |         |                             |
|---------|---------------|-----------------|----------|---------------|------|-----------|-----------|-----------|---------|-----------------------------|
| Catalog | Light Source* | Primary Finish* | Voltage* | Lamp Options* | CRI* | Diffuser* | Mounting* | Emergency | Options | Other Than Standard Options |
| AIP8568 |               |                 |          |               |      |           |           |           |         |                             |
|         | A             |                 | B        | C             | D    | E         | F         | G         | H       | I                           |
|         |               |                 |          |               |      |           |           |           | Finish: |                             |

## A - LIGHT SOURCE \*

To ensure color consistency, SPI uses precise bin selection and strict quality processes to maintain a 3-step (MacAdam) SDCM on all white LED lampings. Published LED luminaire wattages are calculated using a typical power supply efficiency of 88%; exact wattages may vary based on application.

- (2) **L86W** | (2 HEAD) White 86W LED Light Engine | Delivered Lumens: 16,950
- (2) **L172W** | (2 HEAD) White 172W LED Light Engine | Delivered Lumens: 33,900
- (2) **3N150**<sup>1</sup> | (2 HEAD) 3INC150W/A21

See last page for finish options

<sup>1</sup> Incandescent Lamp(s) Not Included

## B - VOLTAGE \*

- 120-277V** | Universal Voltage
- 120V<sup>2</sup>** | 120 Volt

<sup>2</sup> For incandescent light source only

## C - LAMP OPTIONS \*

Apply multiplier from chart for delivered lumens at other CCT's and CRI's. Not required with incandescent.

- 2700K** | 2700K CCT
- 3000K** | 3000K CCT
- 3500K** | 3500K CCT
- 4000K** | 4000K CCT
- 5000K** | 5000K CCT

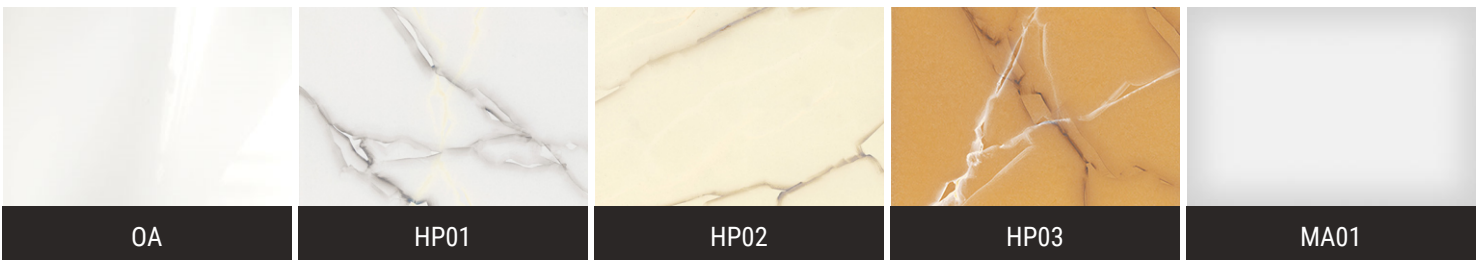
|       | 80 CRI | 90 CRI |
|-------|--------|--------|
| 2700K | 1.00   | 0.84   |
| 3000K | 1.00   | 0.84   |
| 3500K | 1.00   | 0.84   |
| 4000K | 1.00   | 0.84   |
| 5000K | 1.00   | 0.84   |

## D - CRI \*

- DF\_80** | (default)
- 90**

## E - DIFFUSER \*

- DF\_OA** | Opal Acrylic Diffuser Lens (default)
- HP01** | Silver Hand Painted Acrylic Diffuser
- HP02** | Beige Hand Painted Acrylic Diffuser
- HP03** | Amber Hand Painted Acrylic Diffuser
- MA01** | Matte Acrylic Diffuser Lens



## F - MOUNTING \*

---

Mounts to standard 4" octagonal junction box with auxiliary mounting holes. Additional support required (by others). Canopy is 6.5" diameter with a 45 degree swivel.

**DF\_STM** | Stem Mount (default)

## G - EMERGENCY

---

10W, Constant Power Battery Back-up, with 90 minutes of emergency operation. EMR includes damp location enclosure for Battery back-up.

**EMR** | Emergency Battery Remote

## H - OPTIONS

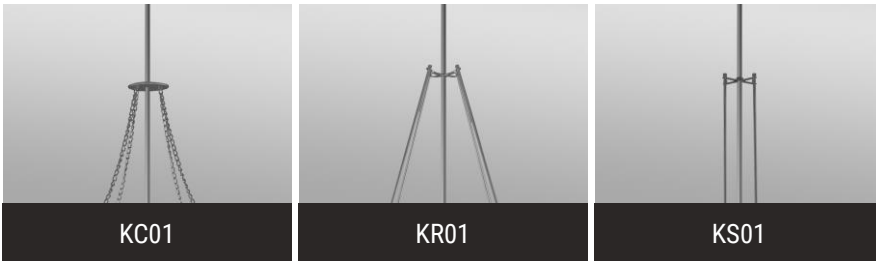
---

**KC01** | Chain Kit (to Transition Plate) (See last page for finish options)

**KR01** | Angled Stem Multi Kit (to Transition Plate) (See last page for finish options)

**KS01** | Straight Stem Multi Kit (to Transition Plate) (See last page for finish options)

**F** | Fusing



## I - OTHER THAN STANDARD OPTIONS

---

Specify overall height required from ceiling to the bottom of the fixture.

**OAH** | Pendant suspension length other than standard Length:

## Standard Finishes

The colors shown are representative. Their actual appearance may vary due to differences in display settings. You can request color chips by emailing [contact@spilighting.com](mailto:contact@spilighting.com). Please note, finishes may not be available in all configurations.

### Paint Colors

|   |  |   |   |   |
|---|--|---|---|---|
| <b>PT01</b><br>RAL9003 Signal White (Gloss)     | <b>PT51</b><br>Matte White (Textured)          | <b>PT02</b><br>White (Textured)                 | <b>PT04</b><br>RAL9001 Cream (Textured)           | <b>PT67</b><br>RAL7044 Silk Grey (Textured)     |
| <b>PT53</b><br>RAL7035 Light Grey (Textured)    | <b>PT54</b><br>RAL7037 Dusty Grey (Textured)   | <b>PT55</b><br>RAL7012 Basalt Grey (Textured)   | <b>PT56</b><br>RAL7016 Anthracite Grey (Textured) | <b>PT11</b><br>Black (Textured)                 |
| <b>PT57</b><br>RAL1015 Light Ivory (Textured)   | <b>PT58</b><br>RAL8004 Copper Brown (Textured) | <b>PT59</b><br>RAL6021 Pale Green (Textured)    | <b>PT60</b><br>RAL1019 Grey Beige (Textured)      | <b>PT61</b><br>RAL7006 Beige Grey (Textured)    |
| <b>PT62</b><br>RAL1003 Signal Yellow (Textured) | <b>PT63</b><br>RAL3001 Signal Red (Textured)   | <b>PT64</b><br>RAL6001 Emerald Green (Textured) | <b>PT65</b><br>RAL5005 Signal Blue (Textured)     | <b>PT66</b><br>RAL5003 Sapphire Blue (Textured) |

### Metallic Paint Colors

|   |  |  |   |   |
|---|--|--|---|---|
| <b>PT22</b><br>Platinum (Metallic Gloss)    | <b>PT48</b><br>Brass (Metallic Textured) | <b>PT28</b><br>Dark Stainless (Metallic Gloss) | <b>PT49</b><br>Bronze (Metallic Textured) | <b>PT32</b><br>Dark Bronze (Metallic Gloss) |
| <b>PT46</b><br>Aluminum (Metallic Textured) |  |  |   |   |

### Brushed Aluminum

|                                |
|--------------------------------|
| <b>BAL</b><br>Brushed Aluminum |
|--------------------------------|

### Brushed Brass

|                                   |
|-----------------------------------|
| <b>BBR</b><br>Brushed Solid Brass |
|-----------------------------------|

### Polished-Tinted Brass

|                                     |                                  |                              |
|-------------------------------------|----------------------------------|------------------------------|
| <b>ATBR</b><br>Antique Tinted Brass | <b>DTBR</b><br>Dark Tinted Brass | <b>PBR</b><br>Polished Brass |
|-------------------------------------|----------------------------------|------------------------------|

### Plated Steel

|   |   |                                    |  |                                   |
|---|---|------------------------------------|--|-----------------------------------|
| <b>ANST</b><br>Antique Brass Plated Steel | <b>BBST</b><br>Brushed Brass Plated Steel | <b>CPST</b><br>Chrome Plated Steel | <b>PBST</b><br>Polished Brass Plated Steel | <b>SNST</b><br>Satin Nickel Steel |
|---|---|------------------------------------|--|-----------------------------------|

### Polished Plated Brass

|   |  |
|---|--|
| <b>CPBR</b><br>Chrome Plated Polished Brass | <b>SNBR</b><br>Satin Nickel Plated Brass |
|---|--|

## Specialty Finishes

---



More RAL®, Pantone®, and custom finishes are available upon request. Setup fee and additional lead time applies. Call factory for details.