

London (4) Bowl Chandelier

AIP8576 31.50 in

JOB NAME:

TYPE:

NOTES:

DESCRIPTION

London is part of our classic bowl collection, hallmarked by the proven simplicity and purity of timeless geometry. It features a deeper shape ideal for mid to high height ceiling applications. The family includes pendant, chandelier, wall-mounted, and ceiling models to illuminate and enhance the visual environment.

FEATURES & BENEFITS

- Opal acrylic diffuser lens enhances a space with filtered illumination
- Spun metal trim ring adds high-quality, decorative element to fixture
- Hinge and latch assembly simplifies relamping by eliminating the need to remove and manage fixture bowl
- Handcrafted in USA

SPECIFICATIONS

- **LIGHT SOURCE:** White LED light engine or incandescent
- **CRI:** 80+ or 90+
- **Lumen Maintenance:** L70 = >50,000 Hrs.
- **CCT:** Available LED color temperatures: 2700K, 3000K, 3500K, 4000K, 5000K
- **DRIVER:** LED versions feature integral Class 2 power supply standard
- **DIMMING:** 0-10V controls standard on LED light engines
- **CONTROLS:** Contact factory for control options (e.g., Lutron Athena, Current NX, nLight, Enlighted, Encelium, Wattstopper, WaveLinx, or Casambi)
- **EMERGENCY:** Remote battery option is provided with 10W Constant Power Battery back-up, providing 90 Minutes of Emergency operation. Contact factory for other Emergency options.
- **DIFFUSER:** Opal acrylic is standard; matte acrylic and hand painted lenses optional. Any upward facing LEDs will be covered with a protective lens.
- **CONSTRUCTION:** Formed metal construction provides durable

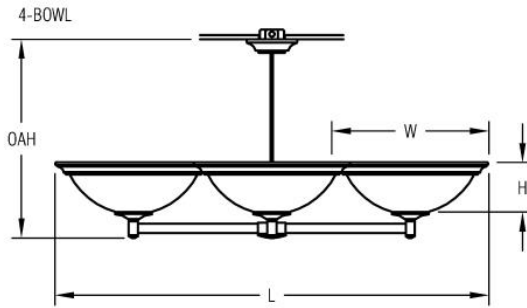


EMR

protection for internal components and is recyclable

- **MODIFICATIONS:** Consult factory for all modification requests
- **APPROVALS:** ETL listed to UL standards (US & Canada) for use in damp locations; not recommended for exterior applications

DIMENSIONS



| | | | |
|----------|----------|------------|----------|
| W | H | OAH | L |
| 31.5 in | 10 in | 50 in | 87 in |
| 80 cm | 25.4 cm | 127 cm | 221 cm |

Mounting Weight
Approximate: 200 lb (91 kg)

CONFIGURATOR

To configure your spec sheet online, go to www.spilighting.com/AIP8576. Not all options are available in all configurations; consult factory for details.

Required Field *

| | | | | | | | | | | |
|---------|---------------|-----------------|----------|---------------|------|-----------|-----------|-----------|---------|-----------------------------|
| Catalog | Light Source* | Primary Finish* | Voltage* | Lamp Options* | CRI* | Diffuser* | Mounting* | Emergency | Options | Other Than Standard Options |
| AIP8576 | | | | | | | | | | |
| | A | | B | C | D | E | F | G | H | I |
| | | | | | | | | | Finish: | |

A - LIGHT SOURCE *

To ensure color consistency, SPI uses precise bin selection and strict quality processes to maintain a 3-step (MacAdam) SDCM on all white LED lampings. Published LED luminaire wattages are calculated using a typical power supply efficiency of 88%; exact wattages may vary based on application.

- (4) L86W** | (4 HEAD) White 86W LED Light Engine | Delivered Lumens: 32,237
- (4) L172W** | (4 HEAD) White 172W LED Light Engine | Delivered Lumens: 64,475
- (4) 3N150**¹ | (4 HEAD) 3INC150W/A21

See last page for finish options

¹ Incandescent Lamp(s) Not Included

B - VOLTAGE *

- 120-277V** | Universal Voltage
- 120V²** | 120 Volt

² For incandescent light source only

C - LAMP OPTIONS *

Apply multiplier from chart for delivered lumens at other CCT's and CRI's.

- 2700K** | 2700K CCT
- 3000K** | 3000K CCT
- 3500K** | 3500K CCT
- 4000K** | 4000K CCT
- 5000K** | 5000K CCT

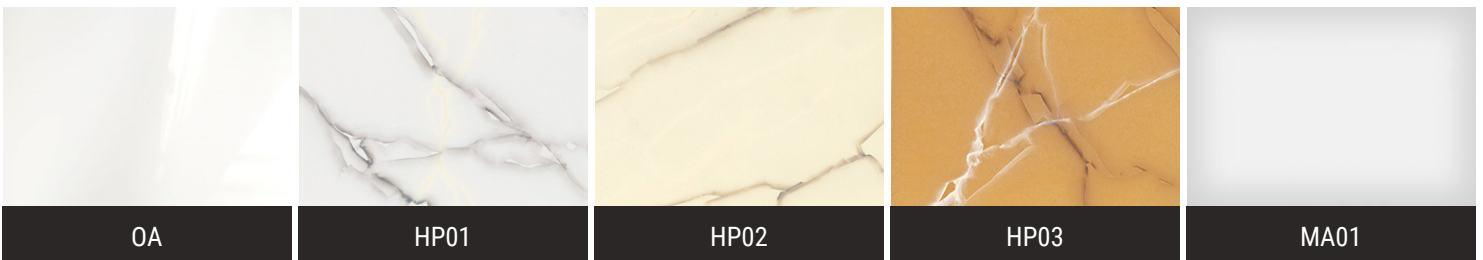
| | 80 CRI | 90 CRI |
|-------|--------|--------|
| 2700K | 1.00 | 0.84 |
| 3000K | 1.00 | 0.84 |
| 3500K | 1.00 | 0.84 |
| 4000K | 1.00 | 0.84 |
| 5000K | 1.00 | 0.84 |

D - CRI *

- DF_80** | (default)
- 90**

E - DIFFUSER *

- DF_OA** | Opal Acrylic Diffuser Lens (default)
- HP01** | Silver Hand Painted Acrylic Diffuser
- HP02** | Beige Hand Painted Acrylic Diffuser
- HP03** | Amber Hand Painted Acrylic Diffuser
- MA01** | Matte Acrylic Diffuser Lens



F - MOUNTING *

Mounts to standard 4" octagonal junction box with auxiliary mounting holes. Additional support required (by others). Canopy is 6.5" diameter with a 45 degree swivel.

DF_STM | Stem Mount (default)

G - EMERGENCY

10W, Constant Power Battery Back-up, with 90 minutes of emergency operation. EMR includes damp location enclosure for Battery back-up.

EMR | Emergency Battery Remote

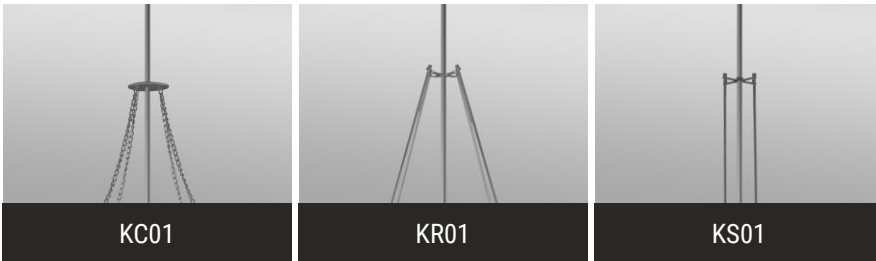
H - OPTIONS

KC01 | Chain Kit (to Transition Plate) (See last page for finish options)

KR01 | Angled Stem Multi Kit (to Transition Plate) (See last page for finish options)

KS01 | Straight Stem Multi Kit (to Transition Plate) (See last page for finish options)

F | Fusing



I - OTHER THAN STANDARD OPTIONS

Specify overall height required from ceiling to the bottom of the fixture.

OAH | Pendant suspension length other than standard Length:

Standard Finishes

The colors shown are representative. Their actual appearance may vary due to differences in display settings. You can request color chips by emailing contact@spilighting.com. Please note, finishes may not be available in all configurations.

Paint Colors

| | | | | |
|---|--|---|---|---|
| PT01 RAL9003 Signal White (Gloss) | PT51 Matte White (Textured) | PT02 White (Textured) | PT04 RAL9001 Cream (Textured) | PT67 RAL7044 Silk Grey (Textured) |
| PT53 RAL7035 Light Grey (Textured) | PT54 RAL7037 Dusty Grey (Textured) | PT55 RAL7012 Basalt Grey (Textured) | PT56 RAL7016 Anthracite Grey (Textured) | PT11 Black (Textured) |
| PT57 RAL1015 Light Ivory (Textured) | PT58 RAL8004 Copper Brown (Textured) | PT59 RAL6021 Pale Green (Textured) | PT60 RAL1019 Grey Beige (Textured) | PT61 RAL7006 Beige Grey (Textured) |
| PT62 RAL1003 Signal Yellow (Textured) | PT63 RAL3001 Signal Red (Textured) | PT64 RAL6001 Emerald Green (Textured) | PT65 RAL5005 Signal Blue (Textured) | PT66 RAL5003 Sapphire Blue (Textured) |

Metallic Paint Colors

| | | | | |
|---|--|--|---|---|
| PT22 Platinum (Metallic Gloss) | PT48 Brass (Metallic Textured) | PT28 Dark Stainless (Metallic Gloss) | PT49 Bronze (Metallic Textured) | PT32 Dark Bronze (Metallic Gloss) |
| PT46 Aluminum (Metallic Textured) | | | | |

Brushed Aluminum

| |
|--------------------------------|
| BAL Brushed Aluminum |
|--------------------------------|

Brushed Brass

| |
|-----------------------------------|
| BBR Brushed Solid Brass |
|-----------------------------------|

Polished-Tinted Brass

| | | |
|-------------------------------------|----------------------------------|------------------------------|
| ATBR Antique Tinted Brass | DTBR Dark Tinted Brass | PBR Polished Brass |
|-------------------------------------|----------------------------------|------------------------------|

Plated Steel

| | | | | |
|---|---|------------------------------------|--|-----------------------------------|
| ANST Antique Brass Plated Steel | BBST Brushed Brass Plated Steel | CPST Chrome Plated Steel | PBST Polished Brass Plated Steel | SNST Satin Nickel Steel |
|---|---|------------------------------------|--|-----------------------------------|

Polished Plated Brass

| | |
|---|--|
| CPBR Chrome Plated Polished Brass | SNBR Satin Nickel Plated Brass |
|---|--|

Specialty Finishes



More RAL®, Pantone®, and custom finishes are available upon request. Setup fee and additional lead time applies. Call factory for details.