

# Zynn Ring - Surface Mount

AIS12188 11.90 in

JOB NAME:

TYPE:

NOTES:

## DESCRIPTION

With a cross-section of just 1.25", Zynn Ring is a minimalist masterpiece. Its best-in-market construction features a hand-fabricated seamless aluminum housing and seamless diffuser which give the luminaire its exceptionally clean appearance. Characterized by a refined fit and finish, Zynn Ring is a favorite for today's architects and designers. Available in 1' to 5' diameters.

## FEATURES & BENEFITS

- One of the slimmest profiles on the market
- Seamless aluminum housing with no visible fasteners
- Seamless matte opal acrylic diffuser sits slightly regressed (.03") from bottom edge of fixture
- Smooth light with zero pixelation
- Mounts on ceiling or wall
- Choose a direct surface mount or a standoff option to overlap rings easily
- Pairs well with other slimline products in the Zynn family
- Handcrafted in USA

## SPECIFICATIONS

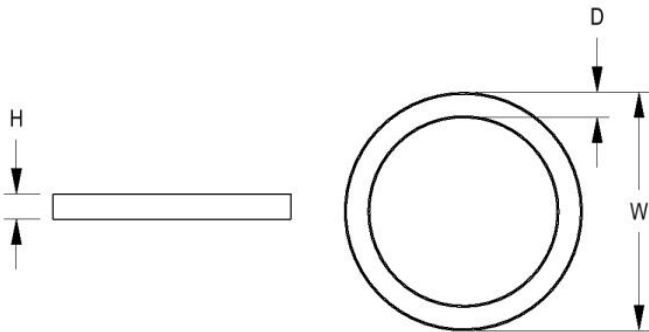
- **LIGHT SOURCE:** White LED light engine
- **CRI:** 80+ or 90+
- **LUMEN MAINTENANCE:** L70 = >50,000 Hrs.
- **EFFICACY:** 59 lm/W delivered
- **CCT:** 2700K, 3000K, 3500K, 4000K, 5000K
- **VOLTAGE:** 120-277V standard
- **DRIVER:** Remote Class 2 power supply. Max distance to the driver is: #18 AWG = 50', #16 AWG = 75', #14 AWG = 100'. For extended distances, contact factory.
- **DIMMING:** 1% minimum dim level standard
- **CONTROLS:** 0-10V standard. Lutron Athena, Current NX, and nLight AIR optional. Contact factory for other controls (e.g., Enlighted, Encelium, Wattstopper, WaveLinx, or Casambi)
- **EMERGENCY:** Remote battery option is provided with 10W Constant Power Battery back-up, providing 90 Minutes of



Emergency operation. Contact factory for other Emergency options.

- **INTEGRATED SURGE PROTECTION:** LED components are protected against minor surge events
- **DIFFUSER:** Matte opal acrylic
- **CONSTRUCTION:** Housing fabricated from 6000 series aluminum extrusion
- **FINISH:** Housing and mounting components finished to match. To specify separately, contact factory. Choose from 26 standard thermoset polyester powder coat paint colors or various metal finishes. RAL®, Pantone®, or custom finishes available upon request.
- **MODIFICATIONS:** Consult factory for all modification requests, including other sizes
- **APPROVALS:** ETL listed to UL standards (US & Canada) for use in damp locations; not recommended for exterior applications

## DIMENSIONS



<b>W</b>	<b>H</b>	<b>D</b>
11.9 in 30.2 cm	1.2 in 3 cm	1.2 in 3 cm
<b>Mounting Weight</b> Approximate: 5 lb (3 kg)		

## CONFIGURATOR

To configure your spec sheet online, go to [www.spilighting.com/AIS12188](http://www.spilighting.com/AIS12188). Not all options are available in all configurations; consult factory for details.

### Required Field \*

Catalog	Light Source*	Primary Finish*	Voltage*	Lamp Options*	CRI*	Controls*	Mounting*	Emergency
AIS12188								
	A		B	C	D	E	F	G

## A - LIGHT SOURCE \*

To ensure color consistency, SPI uses precise bin selection and strict quality processes to maintain a 3-step (MacAdam) SDCM on all white LED lampings. Published LED luminaire wattages are calculated using a typical power supply efficiency of 88%; exact wattages may vary based on application. Alternative wattages available upon request.

- L5W** | White 5W LED Light Engine | Delivered Lumens: 296
- L10W** | White 10W LED Light Engine | Delivered Lumens: 592
- L20W** | White 20W LED Light Engine | Delivered Lumens: 1,185

See last page for finish options

## B - VOLTAGE \*

- 120-277V** | Universal Voltage

## C - LAMP OPTIONS \*

Apply multiplier from chart for delivered lumens at other CCT's and CRI's.

- 2700K** | 2700K CCT
- 3000K** | 3000K CCT
- 3500K** | 3500K CCT
- 4000K** | 4000K CCT
- 5000K** | 5000K CCT

	80 CRI	90 CRI
2700K	0.91	0.77
3000K	0.94	0.80
3500K	0.97	0.82
4000K	1.00	0.85
5000K	1.00	0.85

## D - CRI \*

- DF\_80** | (default)
- 90**

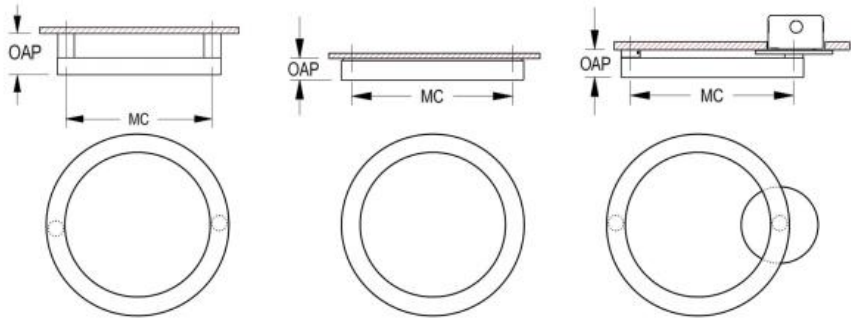
## E - CONTROLS \*

- DF\_DIM1** | 0-10V Control, 1% Dimming (default)
- AWNR** | Lutron Athena Wireless Node, 1% Dimming
- NX** | Current NX Wireless, 1% Dimming
- NLTA** | Acuity nLight Air, 1% Dimming

## F - MOUNTING \*

MCS mounting features a robust 1.75" standoff, with 2 mounting points, suitable for public spaces and is supplied with 8' lead length and 2.25" round goof plates. SFC mounting features a surface mounting plate and is supplied with 8' lead length. SJB mounting features a 5" round j-box cover combined with a 0.5" standoff. To overlap adjacent rings, alternate between SFC and MCS mountings. Contact factory for alternate standoff heights.

- MCS** | 1.75" Standoff Mount
- SFC** | Surface Mount
- SJB** | Surface Mount with 5" Round J-Box Cover



MC	OAP
10.6 in	3.0 in
26.9 cm	7.6 cm

MC	OAP
10.6 in	1.4 in
26.9 cm	3.5 cm

MC	OAP
10.6 in	1.8 in
26.9 cm	4.5 cm

MCS

SFC

SJB

## G - EMERGENCY

10W, Constant Power Battery Back-up, with 90 minutes of emergency operation. EMR includes damp location enclosure for Battery back-up.

**EMR** | Emergency Battery Remote

## Standard Finishes

The colors shown are representative. Their actual appearance may vary due to differences in display settings. You can request color chips by emailing [contact@spilighting.com](mailto:contact@spilighting.com). Please note, finishes may not be available in all configurations.

### Paint Colors

<b>PT01</b> RAL9003 Signal White (Gloss)	<b>PT51</b> Matte White (Textured)	<b>PT02</b> White (Textured)	<b>PT04</b> RAL9001 Cream (Textured)	<b>PT67</b> RAL7044 Silk Grey (Textured)
<b>PT53</b> RAL7035 Light Grey (Textured)	<b>PT54</b> RAL7037 Dusty Grey (Textured)	<b>PT55</b> RAL7012 Basalt Grey (Textured)	<b>PT56</b> RAL7016 Anthracite Grey (Textured)	<b>PT11</b> Black (Textured)
<b>PT57</b> RAL1015 Light Ivory (Textured)	<b>PT58</b> RAL8004 Copper Brown (Textured)	<b>PT59</b> RAL6021 Pale Green (Textured)	<b>PT60</b> RAL1019 Grey Beige (Textured)	<b>PT61</b> RAL7006 Beige Grey (Textured)
<b>PT62</b> RAL1003 Signal Yellow (Textured)	<b>PT63</b> RAL3001 Signal Red (Textured)	<b>PT64</b> RAL6001 Emerald Green (Textured)	<b>PT65</b> RAL5005 Signal Blue (Textured)	<b>PT66</b> RAL5003 Sapphire Blue (Textured)

### Metallic Paint Colors

<b>PT22</b> Platinum (Metallic Gloss)	<b>PT48</b> Brass (Metallic Textured)	<b>PT28</b> Dark Stainless (Metallic Gloss)	<b>PT49</b> Bronze (Metallic Textured)	<b>PT32</b> Dark Bronze (Metallic Gloss)
<b>PT46</b> Aluminum (Metallic Textured)				

### Brushed Aluminum

<b>BAL</b> Brushed Aluminum	<b>MAL</b> Microbrushed Aluminum
--------------------------------	-------------------------------------

## Specialty Finishes



More RAL®, Pantone®, and custom finishes are available upon request. Setup fee and additional lead time applies. Call factory for details.