

Reo Semi Recessed

AIW10371 52.00 in

JOB NAME:

TYPE:

NOTES:

DESCRIPTION

Reo can be partially recessed into the wall cavity, accent the space with side illumination, and provide a sense of depth in a low profile, ADA compliant package. Five optional color gels add a splash of color, serving as a guide or visual path. The ability to complement any style comes standard.

FEATURES & BENEFITS

- Add a splash of color to a space with optional theatrical color gels (offered in five standard colors with custom colors available upon request)
- Optional durable wood laminate faceplate option adds a warm, natural texture to a space
- Optional embossed stainless steel-linear and crosshatch face plate option adds a unique, metal accent and texture to a space
- Compliant with Americans with Disabilities Act (ADA) requirements
- Handcrafted in USA

SPECIFICATIONS

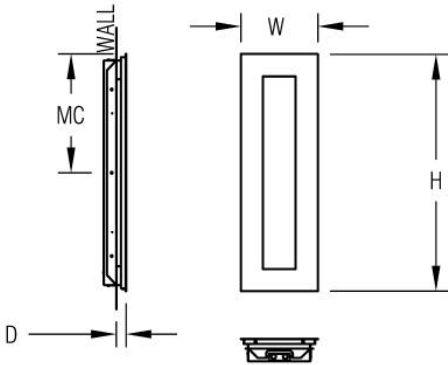
- **LIGHT SOURCE:** White LED light engine
- **CRI:** 80+ or 90+
- **LUMEN MAINTENANCE:** L70 = >50,000 Hrs.
- **CCT:** 2700K, 3000K, 3500K, 4000K, 5000K
- **DRIVER:** Integral Class 2 power supply standard
- **DIMMING:** 0-10V controls standard to 1% on LED light engines
- **CONTROLS:** Contact factory for control options (e.g., Lutron Athena, Current NX, nLight, Enlighted, Encelium, Wattstopper, WaveLinx, or Casambi)
- **EMERGENCY:** Remote battery option is provided with 10W Constant Power Battery back-up, providing 90 Minutes of Emergency operation. Contact factory for other Emergency options.
- **CONSTRUCTION:** Formed metal construction provides durable protection for internal components and is recyclable
- **FINISH:** Faceplate and housing finished to match your



specification (unless a faceplate option is specified). Choose from 26 standard thermoset polyester powder coat paint colors or brushed aluminum finish. RAL®, Pantone®, or custom finishes available upon request.

- **MODIFICATIONS:** Consult factory for all modification requests
- **APPROVALS:** ETL listed to UL standards (US & Canada) for use in damp locations; not recommended for exterior applications

DIMENSIONS



W	H	D	MC
13 in	52 in	1.7 in	26 in
33 cm	132.1 cm	4.3 cm	66 cm

Mounting Weight
Approximate: 25 lb (12 kg)

CONFIGURATOR

To configure your spec sheet online, go to www.spilighting.com/AIW10371. Not all options are available in all configurations; consult factory for details.

Required Field *

Catalog	Light Source*	Primary Finish*	Voltage*	Lamp Options*	CRI*	Mounting*	Emergency	Color Accents*	Faceplate Options
AIW10371	A		B	C	D	E	F	G	H

A - LIGHT SOURCE *

To ensure color consistency, SPI uses precise bin selection and strict quality processes to maintain a 3-step (MacAdam) SDCM on all white LED lampings. Published LED luminaire wattages are calculated using a typical power supply efficiency of 88%; exact wattages may vary based on application. Alternative wattages available upon request.

- L50W** | White 50W LED Light Engine | Delivered Lumens: 2,053
- L100W** | White 100W LED Light Engine | Delivered Lumens: 4,106

See last page for finish options

B - VOLTAGE *

- 120-277V** | Universal Voltage

C - LAMP OPTIONS *

Apply multiplier from chart for delivered lumens at other CCT's and CRI's.

- 2700K** | 2700K CCT
- 3000K** | 3000K CCT
- 3500K** | 3500K CCT
- 4000K** | 4000K CCT
- 5000K** | 5000K CCT

	80 CRI	90 CRI
2700K	1.00	0.84
3000K	1.00	0.84
3500K	1.00	0.84
4000K	1.00	0.84
5000K	1.00	0.84

D - CRI *

- DF_80** | (default)
- 90**

E - MOUNTING *

Requires recessed mounting. Additional mounting structure and hardware required (by others).

- DF_SMR** | Semi-recessed Wall Mount (default)

F - EMERGENCY

10W, Constant Power Battery Back-up, with 90 minutes of emergency operation. EMR includes damp location enclosure for Battery back-up.

- EMR** | Emergency Battery Remote

G - COLOR ACCENTS *

Contact factory to customize a color gel that coordinates with your application.

- CG00** | White Color Gel
- CG01** | Red Color Gel
- CG02** | Orange Color Gel
- CG03** | Green Color Gel
- CG04** | Blue Color Gel



H - FACEPLATE OPTIONS

- ES1** | Embossed Stainless Steel-Linear Pattern
- ES2** | Embossed Stainless Steel-Cross Hatch Pattern
- WF1** | Cherry Laminate
- WF2** | Maple Laminate



Standard Finishes

The colors shown are representative. Their actual appearance may vary due to differences in display settings. You can request color chips by emailing contact@spilighting.com. Please note, finishes may not be available in all configurations.

Paint Colors

PT01 RAL9003 Signal White (Gloss)	PT51 Matte White (Textured)	PT02 White (Textured)	PT04 RAL9001 Cream (Textured)	PT67 RAL7044 Silk Grey (Textured)
PT53 RAL7035 Light Grey (Textured)	PT54 RAL7037 Dusty Grey (Textured)	PT55 RAL7012 Basalt Grey (Textured)	PT56 RAL7016 Anthracite Grey (Textured)	PT11 Black (Textured)
PT57 RAL1015 Light Ivory (Textured)	PT58 RAL8004 Copper Brown (Textured)	PT59 RAL6021 Pale Green (Textured)	PT60 RAL1019 Grey Beige (Textured)	PT61 RAL7006 Beige Grey (Textured)
PT62 RAL1003 Signal Yellow (Textured)	PT63 RAL3001 Signal Red (Textured)	PT64 RAL6001 Emerald Green (Textured)	PT65 RAL5005 Signal Blue (Textured)	PT66 RAL5003 Sapphire Blue (Textured)

Metallic Paint Colors

PT22 Platinum (Metallic Gloss)	PT48 Brass (Metallic Textured)	PT28 Dark Stainless (Metallic Gloss)	PT49 Bronze (Metallic Textured)	PT32 Dark Bronze (Metallic Gloss)
PT46 Aluminum (Metallic Textured)				

Brushed Aluminum

BAL Brushed Aluminum

Specialty Finishes



More RAL®, Pantone®, and custom finishes are available upon request. Setup fee and additional lead time applies. Call factory for details.