

# Echo Expanse - Multiples

EIP12355 27.00 in | Integral

JOB NAME:

TYPE:

NOTES:

## DESCRIPTION

Echo Expanse is an advanced high output asymmetric lighting tool that lights large spaces more comfortably with indirect light. Designed with the latest in LED technology, it packages high lumen density with exceptional efficacy in a clean, compact form. State-of-the-art asymmetric optics direct light deep into the center of the room. Easily scaled for any project, Echo Expanse is available in a massive range of outputs - from 14,000 to 168,000 lumens. For a complimentary lighting layout, contact our applications team at [SPIteam@spilighting.com](mailto:SPIteam@spilighting.com).

## FEATURES & BENEFITS

- High quality indirect light increases visual comfort, eliminates source brightness, and improves uniformity
- True asymmetric optics with a deep forward throw
- Specify the direction of the light
- Glare-free with full horizontal cut-off
- Can tilt fixture heads +/-8.5° and still maintain full horizontal cut-off; locks into position
- Super-high 129 lm/W standard efficacy
- Lights from the perimeter
- Delivers a smooth, consistent beam pattern of even white light suitable for highly-finished ceilings and walls
- Specially designed to operate in high ambient temperature environments
- Innovative pin-fin aluminum heat sink keeps LEDs cool, lengthening the lifetime
- Natatorium option adds additional protection in corrosive environments
- LED modules and power supplies are integrated into a quick-change light engine
- Handcrafted in USA

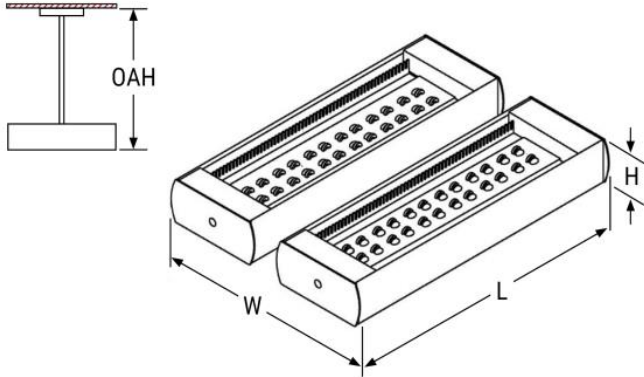


## SPECIFICATIONS

- **LIGHT SOURCE:** White LED light engine with gasketed and sealed LEDs
- **CRI:** 80+ or 90+
- **ORIENTATION:** Indirect (contact factory for direct applications)

- **LUMEN MAINTENANCE:** L90 = >72,000 Hrs at 40°C ambient temperature
- **EFFICACY:** Up to 129 lm/W delivered
- **CCT:** 2700K, 3000K, 3500K, 4000K, 5000K
- **VOLTAGE:** 120-277V standard
- **DRIVER:** Integral Class 2 power supply
- **MAX AMBIENT OPERATING TEMP:** 40°C (104°F)
- **DIMMING:** 1% minimum dim level standard
- **CONTROLS:** 0-10V standard. Lutron Athena and nLight AIR optional. Contact factory for other controls (e.g., Current NX, Enlighted, Encelium, Wattstopper, WaveLinx, or Casambi).
- **EMERGENCY:** Remote battery option is provided with 10W Constant Power Battery back-up, providing 90 Minutes of Emergency operation. Contact factory for other Emergency options.
- **INTEGRATED SURGE PROTECTION:** LED components are protected against minor surge events
- **CONSTRUCTION:** Aluminum construction; precision injection molded optics
- **FINISH:** Housing and mounting components finished to match, except the heat sink which is always painted Satin Aluminum (PT50). Choose from 26 standard thermoset polyester powder coat paint colors. RAL®, Pantone®, or custom finishes available upon request.
- **MODIFICATIONS:** Consult factory for all modification requests, including wire guard options
- **APPROVALS:** ETL listed to UL standards (US & Canada) for use in damp locations; not recommended for exterior applications

## DIMENSIONS



W	H	OAH	L
20.8 in	4 in	80 in	27 in
52.8 cm	10.2 cm	203.2 cm	68.6 cm

**Mounting Weight**  
Approximate: 45 lb (21 kg)

## CONFIGURATOR

To configure your spec sheet online, go to [www.spilighting.com/EIP12355](http://www.spilighting.com/EIP12355). Not all options are available in all configurations; consult factory for details.

### Required Field \*

Catalog	Light Source*	Primary Finish*	Voltage*	Lamp Options*	CRI*	Controls*	Mounting*	Emergency	Optical Orientation*	Options	Other Than Standard Options
EIP12355	A		B	C	D	E	F	G	H	I	J

### A - LIGHT SOURCE \*

To ensure color consistency, SPI uses precise bin selection and strict quality processes to maintain a 3-step (MacAdam) SDCM on all white LED lampings. Published LED luminaire wattages are calculated using a typical power supply efficiency of 88%; exact wattages may vary based on application. Alternative wattages available upon request.

**(2) 216W** | White 433W LED Light Engine | Delivered Lumens: 55,948

See last page for finish options

### B - VOLTAGE \*

**120-277V** | Universal Voltage

### C - LAMP OPTIONS \*

Apply multiplier from chart for delivered lumens at other CCT's and CRI's.

- 2700K** | 2700K CCT
- 3000K** | 3000K CCT
- 3500K** | 3500K CCT
- 4000K** | 4000K CCT
- 5000K** | 5000K CCT

	80 CRI	90 CRI
2700K	n/a	0.67
3000K	0.93	0.74
3500K	0.93	0.74
4000K	1.00	0.74
5000K	1.00	n/a

## D - CRI \*

- DF\_80**<sup>1</sup> | (default)
- 90**<sup>2</sup>

<sup>1</sup> Not available in 2700K

<sup>2</sup> Not available in 5000K

## E - CONTROLS \*

Extended lead times may apply for controls other than 0-10V. Contact factory for additional control options such as Current NX, Enlighted, Encelium, Wattstopper, WaveLinx, Casambi, or others.

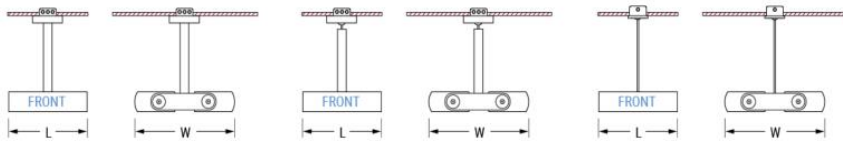
- DF\_DIM1** | 0-10V Control, 1% Dimming (default)
- AWNR**<sup>3</sup> | Lutron Athena Wireless Node, 1% Dimming
- NLTA**<sup>3</sup> | Acuity nLight Air, 1% Dimming

<sup>3</sup> Not recommended for natatorium environments without additional component protection. Contact factory for options.

## F - MOUNTING \*

Mounts over standard 4" octagonal junction box with auxiliary mounting holes. STM5 is field cuttable.

- STM3** | Single square rigid stem with 8" square canopy
- STM4** | Single square stem with 8" square canopy & up to 40° slope ceiling adapter
- STM5** | Single stem with 5.5" round canopy (22.5° swivel)



L	W
27 in	20.8 in
68.6 cm	52.8 cm

L	W
27 in	20.8 in
68.6 cm	52.8 cm

L	W
27 in	20.8 in
68.6 cm	52.8 cm

STM3

STM4

STM5

## G - EMERGENCY

10W, Constant Power Battery Back-up, with 90 minutes of emergency operation. EMR includes damp location enclosure for Battery back-up.

**EMR** | Emergency Battery Remote

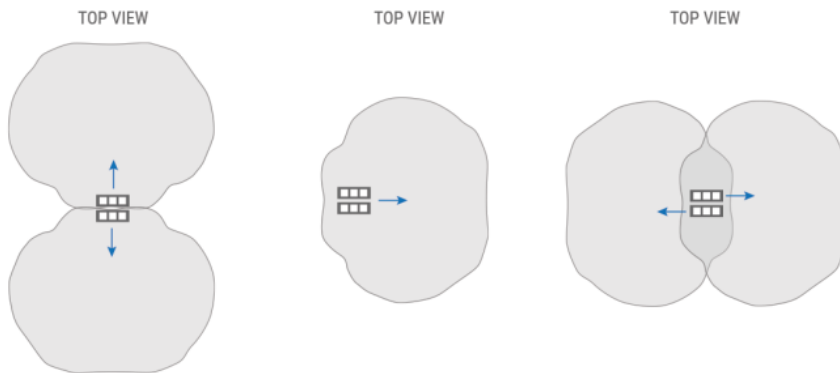
## H - OPTICAL ORIENTATION \*

Specify the direction of light.

**DA-0/180** | Deep Asymmetric

**DA-90** | Deep Asymmetric, LED modules rotated 90°

**DA-90R/90L** | Deep Asymmetric, one fixture head's LED modules rotated 90° towards left and the other towards right



DA-0/180

DA-90

DA-90R/90L

## I - OPTIONS

When the NAT option is selected, you can feel confident that the luminaire specified is designed with high-quality materials that will withstand the corrosive environment of indoor pools. Electrical components are protected from moisture and the fixture has been tested to operate in warm ambient temperatures.

**NAT** | Natatorium Construction

**F** | Fusing

## J - OTHER THAN STANDARD OPTIONS

Specify overall height required from the ceiling to the bottom of the fixture. The OAH min/max range is determined only by the physical limitations of the luminaire. Appropriate mounting heights are separately calculated from photometric lighting layouts and recommended from the specifier. If the specified mounting height is outside of the OAH range, please contact the factory.

**OAH** | Pendant suspension length other than standard Length:

## Standard Finishes

The colors shown are representative. Their actual appearance may vary due to differences in display settings. You can request color chips by emailing [contact@spilighting.com](mailto:contact@spilighting.com). Please note, finishes may not be available in all configurations.

### Paint Colors

<b>PT01</b> RAL9003 Signal White (Gloss)	<b>PT51</b> Matte White (Textured)	<b>PT02</b> White (Textured)	<b>PT04</b> RAL9001 Cream (Textured)	<b>PT67</b> RAL7044 Silk Grey (Textured)
<b>PT53</b> RAL7035 Light Grey (Textured)	<b>PT54</b> RAL7037 Dusty Grey (Textured)	<b>PT55</b> RAL7012 Basalt Grey (Textured)	<b>PT56</b> RAL7016 Anthracite Grey (Textured)	<b>PT11</b> Black (Textured)
<b>PT57</b> RAL1015 Light Ivory (Textured)	<b>PT58</b> RAL8004 Copper Brown (Textured)	<b>PT59</b> RAL6021 Pale Green (Textured)	<b>PT60</b> RAL1019 Grey Beige (Textured)	<b>PT61</b> RAL7006 Beige Grey (Textured)
<b>PT62</b> RAL1003 Signal Yellow (Textured)	<b>PT63</b> RAL3001 Signal Red (Textured)	<b>PT64</b> RAL6001 Emerald Green (Textured)	<b>PT65</b> RAL5005 Signal Blue (Textured)	<b>PT66</b> RAL5003 Sapphire Blue (Textured)

### Metallic Paint Colors

<b>PT22</b> Platinum (Metallic Gloss)	<b>PT48</b> Brass (Metallic Textured)	<b>PT28</b> Dark Stainless (Metallic Gloss)	<b>PT49</b> Bronze (Metallic Textured)	<b>PT32</b> Dark Bronze (Metallic Gloss)
<b>PT46</b> Aluminum (Metallic Textured)				

## Specialty Finishes



More RAL®, Pantone®, and custom finishes are available upon request. Setup fee and additional lead time applies. Call factory for details.