

# Lightruss LED Gen 2 - New Construction

LRU12394 18.00 in

JOB NAME:

TYPE:

NOTES:

## DESCRIPTION

Lightruss LED Gen 2 eliminates the need for multiple power drops and electrical conduit.

The dual-rail truss system allows for multiple circuitry, switching, and emergency circuits. The stealth design of Lightruss nests the high-performance luminaires atop the railway system – providing full cut-off and eliminating direct glare all while delivering an impressive 127 lumens per watt. With our innovative indirect lighting system, you can achieve the light levels needed for your projects with less luminaires.

Bonus! Lightruss delivers the lumens and performance needed to meet the NCAA Best Lighting Practices for broadcasting swim/water polo matches.

For a complimentary lighting layout, contact our applications team at [SPIteam@spilighting.com](mailto:SPIteam@spilighting.com).

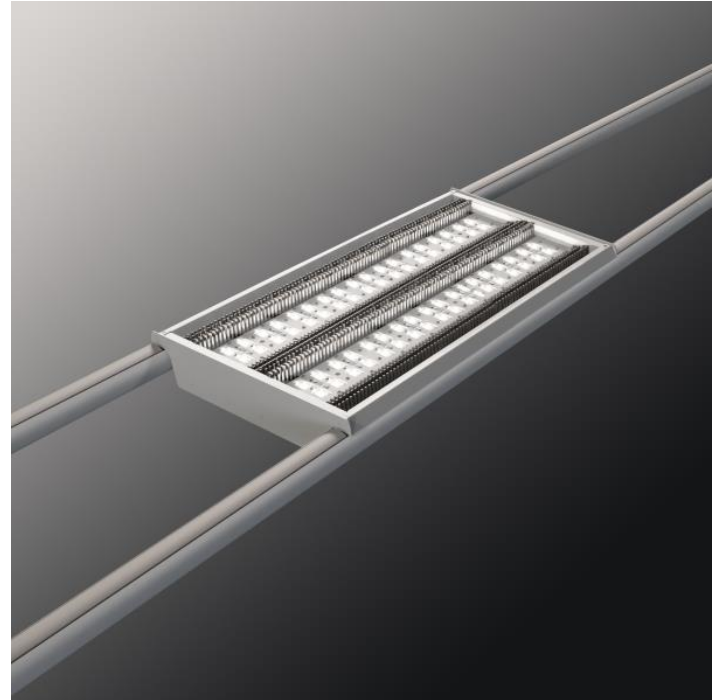
## FEATURES & BENEFITS

- Slim, streamlined design that blends into architecture
- Saves installation costs by significantly reducing the number of power drops, wires and conduit required
- True asymmetric optics with a deep forward throw
- Turn corners and change elevation to follow the contours of the space
- Glare-free light with full horizontal cutoff
- Fully engineered for natatoriums
- Handcrafted in USA

*Note: This spec sheet is for the fixture head only. Each fixture attaches to a dual rail truss system with self-supporting geometry. The dual rail truss system is supported by fabricated bulkheads which mount by either corrosion-resistant nickel alloy aircraft cables or stem. Contact factory for a full system layout.*

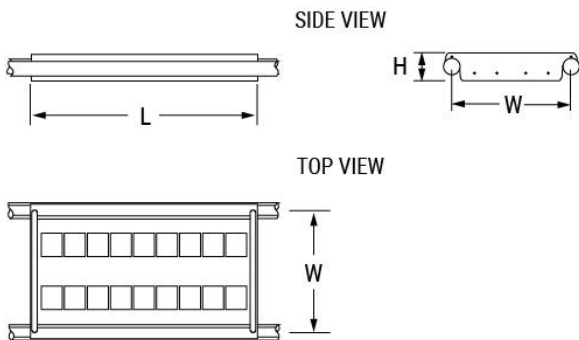
## SPECIFICATIONS:

- **LIGHT SOURCE:** White LED light engine with gasketed and sealed LEDs
- **DISTRIBUTION:** Indirect



- **LUMEN MAINTENANCE:** L90 = >72,000 Hrs. at 45° ambient temperature
- **EFFICACY:** Up to 127 lm/W delivered
- **CCT:** 2700K, 3000K, 3500K, 4000K, 5000K standard
- **VOLTAGE:** 120-277V standard
- **CRI:** 80+ or 90+
- **DRIVER:** Fully potted integral Class 2 power supply standard
- **MAX AMBIENT OPERATING TEMP:** 45°C (113°F)
- **DIMMING:** 5% dimming standard. Contact factory for 1% dimming options.
- **CONTROLS:** Standard without controls. 0-10V, Lutron Athena, and nLight AIR optional. Contact factory for other controls (e.g., Current NX, Enlighted, Encelium, Wattstopper, WaveLinx, or Casambi).
- **INTEGRATED SURGE PROTECTION:** LED components are protected against minor surge events
- **CONSTRUCTION:** Aluminum housing; extruded aluminum rails; precision molded acrylic optics
- **FINISH:** All components finished to match, except for the heat sink which is always painted Satin Aluminum (PT50). Choose from 26 standard thermoset polyester powder coat paint colors. RAL®, Pantone®, or custom finishes available upon request.
- **APPROVALS:** ETL listed to UL standards (US & Canada) for use in damp locations; not recommended for exterior applications

## DIMENSIONS



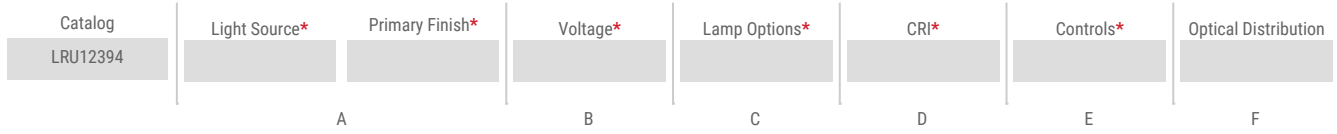
W	H	L
18 in	4 in	34 in
45.7 cm	10.2 cm	86.4 cm

**Mounting Weight**  
Approximate: 60 lb (28 kg)

## CONFIGURATOR

To configure your spec sheet online, go to [www.spilighting.com/LRU12394](http://www.spilighting.com/LRU12394). Not all options are available in all configurations; consult factory for details.

### Required Field \*



## A - LIGHT SOURCE \*

To ensure color consistency, SPI uses precise bin selection and strict quality processes to maintain a 3-step (MacAdam) SDCM on all white LED lampings. Published LED luminaire wattages are calculated using a typical power supply efficiency of 88%; exact wattages may vary based on application. Alternate wattages available upon request.

**L649W** | White 649W LED Light Engine | Delivered Lumens: 82,293

[See last page for finish options](#)

## B - VOLTAGE \*

**120-277V** | Universal Voltage

## C - LAMP OPTIONS \*

Apply multiplier from chart for delivered lumens at other CCT's and CRI's.

- 2700K** | 2700K CCT
- 3000K** | 3000K CCT
- 3500K** | 3500K CCT
- 4000K** | 4000K CCT
- 5000K** | 5000K CCT

	80 CRI	90 CRI
2700K	n/a	0.67
3000K	0.93	0.74
3500K	0.93	0.74
4000K	1.00	0.74
5000K	1.00	n/a

## D - CRI \*

- DF\_80**<sup>1</sup> | (default)
- 90**<sup>2</sup>

<sup>1</sup> Not available in 2700K

<sup>2</sup> Not available in 5000K

## E - CONTROLS \*

---

Extended lead times may apply for controls other than 0-10V. Contact factory for additional control options such as Current NX, Enlighted, Encelium, Wattstopper, WaveLinx, Casambi, or others.

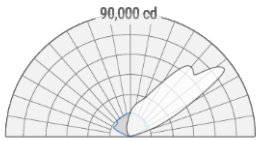
- DF\_NONE** | No Controls (default)
- DIM1** | 0-10V Control, 1% Dimming
- DIM5** | 0-10V Control, 5% Dimming
- AWNR** | Lutron Athena Wireless Node, 1% Dimming
- NLTA**<sup>3</sup> | Acuity nLight Air, 1% Dimming

<sup>3</sup> Not recommended for natatorium environments without additional component protection. Contact factory for options.

## F - OPTICAL DISTRIBUTION

---

- DA** | Deep Asymmetric (default)



DA

## Standard Finishes

The colors shown are representative. Their actual appearance may vary due to differences in display settings. You can request color chips by emailing [contact@spilighting.com](mailto:contact@spilighting.com). Please note, finishes may not be available in all configurations.

### Paint Colors

<b>PT01</b> RAL9003 Signal White (Gloss)	<b>PT51</b> Matte White (Textured)	<b>PT02</b> White (Textured)	<b>PT04</b> RAL9001 Cream (Textured)	<b>PT67</b> RAL7044 Silk Grey (Textured)
<b>PT53</b> RAL7035 Light Grey (Textured)	<b>PT54</b> RAL7037 Dusty Grey (Textured)	<b>PT55</b> RAL7012 Basalt Grey (Textured)	<b>PT56</b> RAL7016 Anthracite Grey (Textured)	<b>PT11</b> Black (Textured)
<b>PT57</b> RAL1015 Light Ivory (Textured)	<b>PT58</b> RAL8004 Copper Brown (Textured)	<b>PT59</b> RAL6021 Pale Green (Textured)	<b>PT60</b> RAL1019 Grey Beige (Textured)	<b>PT61</b> RAL7006 Beige Grey (Textured)
<b>PT62</b> RAL1003 Signal Yellow (Textured)	<b>PT63</b> RAL3001 Signal Red (Textured)	<b>PT64</b> RAL6001 Emerald Green (Textured)	<b>PT65</b> RAL5005 Signal Blue (Textured)	<b>PT66</b> RAL5003 Sapphire Blue (Textured)

### Metallic Paint Colors

<b>PT22</b> Platinum (Metallic Gloss)	<b>PT48</b> Brass (Metallic Textured)	<b>PT28</b> Dark Stainless (Metallic Gloss)	<b>PT49</b> Bronze (Metallic Textured)	<b>PT32</b> Dark Bronze (Metallic Gloss)
<b>PT46</b> Aluminum (Metallic Textured)				

## Specialty Finishes



More RAL®, Pantone®, and custom finishes are available upon request. Setup fee and additional lead time applies. Call factory for details.