

Zynn 2" Lines + Arcs

AIP12256 2.00 in | Arcs

JOB NAME:

TYPE:

NOTES:

DESCRIPTION

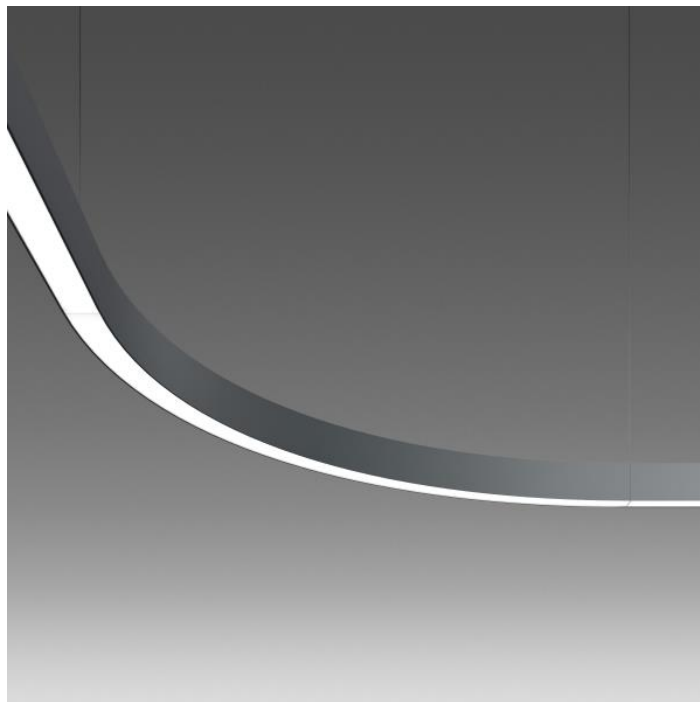
Anything is possible with this creative modular system of luminous lines. Zynn 2" Lines + Arcs makes it fast and easy for you to create extraordinary curvilinear and rectilinear designs – all with standard products. Turn corners, sweep around columns, create geometric shapes, or form intricate patterns with smooth, continuous lines of light. Professional and refined, the system delivers up to 960 lumens per foot. For a complimentary lighting layout, contact our applications team at SPIteam@spilighting.com.

FEATURES & BENEFITS

- Sleek 2" x 3" profile
- Clean, continuous lines of light with zero pixilation
- Up to 960 lm/ft
- Provides functional lighting with comfortable luminance levels and is ideal for separating open offices, providing wayfinding, or adding markings
- The system can go up to 500' with just one power drop
- Maneuvers easily around obstructions
- Superior fit and finish
- Keeps ceilings clean with minimal mounting hardware
- Hidden internal aircraft cable grippers are easy to adjust
- Integral power supplies with easy daisy chain wiring simplifies installation
- Lines (AIP12255) and Connectors (AIP12257) are ordered separately
- Handcrafted in USA, BABA Compliant

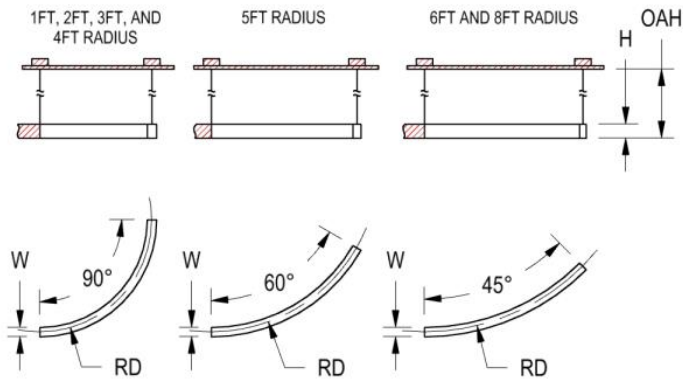
SPECIFICATIONS

- **LIGHT SOURCE:** White LED light engine
- **DISTRIBUTION:** Direct
- **CRI:** 80+ or 90+
- **LUMEN MAINTENANCE:** L80 = >54,000 Hrs.
- **EFFICACY:** Up to 72 lm/W delivered
- **CCT:** 2700K, 3000K, 3500K, 4000K, 5000K
- **VOLTAGE:** 120-277V standard



- **DRIVER:** Integral Class 2 power supply. Power drop kit required for each continuous run; see catalog CPS12267 to order.
Connect power drops anywhere along the run.
- **MAX AMBIENT OPERATING TEMP:** 32°C (90°F)
- **DIMMING:** 1% minimum dim level standard
- **CONTROLS:** 0-10V standard. Lutron Athena, Current NX, and nLight AIR optional. Contact factory for other controls (e.g., Enlighted, Encelium, Wattstopper, WaveLinx, or Casambi).
- **INTEGRATED SURGE PROTECTION:** LED components are protected against minor surge events
- **EMERGENCY:** Remote battery option is provided with 10W Constant Power Battery back-up, providing 90 Minutes of Emergency operation. Contact factory for other Emergency options.
- **DIFFUSER:** Matte opal acrylic
- **CONSTRUCTION:** Housing fabricated from 6000 series aluminum extrusion
- **FINISH:** Choose from 26 standard thermoset polyester powder coat paint colors. RAL®, Pantone®, or custom finishes available upon request.
- **MODIFICATIONS:** Consult factory for all modification requests, including custom radii
- **APPROVALS:** ETL listed to UL standards (US & Canada) for use in damp locations; not recommended for exterior applications

DIMENSIONS



1FT	W	H	OAH	RD
	2 in 5.1 cm	3 in 7.6 cm	54 in 137.2 cm	12 in 30.5 cm

Mounting Weight: Approximate: 5 lb (3 kg)

2FT	W	H	OAH	RD
	2 in 5.1 cm	3 in 7.6 cm	54 in 137.2 cm	24 in 61 cm

Mounting Weight: Approximate: 10 lb (5 kg)

3FT	W	H	OAH	RD
	2 in 5.1 cm	3 in 7.6 cm	54 in 137.2 cm	36 in 91.4 cm

Mounting Weight: Approximate: 10 lb (5 kg)

4FT	W	H	OAH	RD
	2 in 5.1 cm	3 in 7.6 cm	54 in 137.2 cm	48 in 121.9 cm

Mounting Weight: Approximate: 15 lb (7 kg)

5FT	W	H	OAH	RD
	2 in 5.1 cm	3 in 7.6 cm	54 in 137.2 cm	60 in 152.4 cm

Mounting Weight: Approximate: 10 lb (5 kg)

6FT	W	H	OAH	RD
	2 in 5.1 cm	3 in 7.6 cm	54 in 137.2 cm	72 in 182.9 cm

Mounting Weight: Approximate: 15 lb (7 kg)

8FT	W	H	OAH	RD
	2 in 5.1 cm	3 in 7.6 cm	54 in 137.2 cm	96 in 243.8 cm

Mounting Weight: Approximate: 15 lb (7 kg)

CONFIGURATOR

To configure your spec sheet online, go to www.spilighting.com/AIP12256. Not all options are available in all configurations; consult factory for details.

Required Field *

Catalog	Light Source*	Primary Finish*	Voltage*	Lamp Options*	CRI*	Controls*	Mounting*	Emergency	Other Than Standard Options	Configuration*
AIP12256										
	A	B	C	D	E	F	G	H	I	

A - LIGHT SOURCE *

To ensure color consistency, SPI uses precise bin selection and strict quality processes to maintain a 3-step (MacAdam) SDCM on all white LED lampings. Published LED luminaire wattages are calculated using a typical power supply efficiency of 88%; exact wattages may vary based on application. Alternative wattages available upon request.

1 FOOT RADIUS 90° FIXTURE

- 1FT-L11W** | White 11W LED Light Engine | Delivered Lumens: 791
- 1FT-L21W** | White 21W LED Light Engine | Delivered Lumens: 1,510
- Cust_Out_1FT** |

Lumen Calculator: Enter Lumens or Watts if different than displayed

LU Min 791 - Max 1510

W Min 11.0 - Max 21.0

2 FOOT RADIUS 90° FIXTURE

- 2FT-L21W** | White 21W LED Light Engine | Delivered Lumens: 1,510
- 2FT-L42W** | White 42W LED Light Engine | Delivered Lumens: 3,020
- Cust_Out_2FT** |

Lumen Calculator: Enter Lumens or Watts if different than displayed

LU Min 1510 - Max 3020

W Min 21.0 - Max 42.0

3 FOOT RADIUS 90° FIXTURE

- 3FT-L32W** | White 32W LED Light Engine | Delivered Lumens: 2,301
- 3FT-L64W** | White 64W LED Light Engine | Delivered Lumens: 4,602
- Cust_Out_3FT** |

Lumen Calculator: Enter Lumens or Watts if different than displayed

LU Min 2301 - Max 4602

W Min 32.0 - Max 64.0

4 FOOT RADIUS 90° FIXTURE

- 4FT-L42W** | White 42W LED Light Engine | Delivered Lumens: 3,020
- 4FT-L85W** | White 85W LED Light Engine | Delivered Lumens: 6,112
- Cust_Out_4FT** |

Lumen Calculator: Enter Lumens or Watts if different than displayed

LU Min 3020 - Max 6112

W Min 42.0 - Max 85.0

5 FOOT RADIUS 60° FIXTURE

- 5FT-L35W** | White 35W LED Light Engine | Delivered Lumens: 2,517
- 5FT-L71W** | White 71W LED Light Engine | Delivered Lumens: 5,105
- Cust_Out_5FT** |

Lumen Calculator: Enter Lumens or Watts if different than displayed

LU Min 2516 - Max 5105

W Min 35.0 - Max 71.0

6 FOOT RADIUS 45° FIXTURE

- 6FT-L32W** | White 32W LED Light Engine | Delivered Lumens: 2,301
- 6FT-L64W** | White 64W LED Light Engine | Delivered Lumens: 4,602
- Cust_Out_6FT** |

Lumen Calculator: Enter Lumens or Watts if different than displayed

LU Min 2301 - Max 4602

W Min 32.0 - Max 64.0

8 FOOT RADIUS 45° FIXTURE

8FT-L42W | White 42W LED Light Engine | Delivered Lumens: 3,020

8FT-L85W | White 85W LED Light Engine | Delivered Lumens: 6,112

8 FOOT RADIUS 45° FIXTURE

8FT-L42W | White 42W LED Light Engine | Delivered Lumens: 3,020

8FT-L85W | White 85W LED Light Engine | Delivered Lumens: 6,112

Cust_Out_8FT |

Lumen Calculator: Enter Lumens or Watts if different than displayed

LU Min 3020 - Max 6112

W Min 42.0 - Max 85.0

[See last page for finish options](#)

*For requests outside Min-Max range, please contact factory.

B - VOLTAGE *

120-277V | Universal Voltage

C - LAMP OPTIONS *

Apply multiplier from chart for delivered lumens at other CCT's and CRI's.

2700K | 2700K CCT

3000K | 3000K CCT

3500K | 3500K CCT

4000K | 4000K CCT

5000K | 5000K CCT

	80 CRI	90 CRI
2700K	0.91	0.77
3000K	0.94	0.80
3500K	0.97	0.82
4000K	1.00	0.85
5000K	1.00	0.85

D - CRI *

DF_80 | (default)

90

E - CONTROLS *

Extended lead times may apply for controls other than 0-10V. Contact factory for additional control options such as Enlighted, Encelium, Wattstopper, WaveLinx, Casambi, or others.

- DF_DIM1 | 0-10V Control, 1% Dimming (default)
- AWRN ¹ | Lutron Athena Wireless Node, 1% Dimming
- NX ¹ | Current NX Wireless, 1% Dimming
- NLTA ¹ | Acuity nLight Air, 1% Dimming

¹ Contact factory for complimentary layout including controls package.

F - MOUNTING *

For mounting center information, go to <https://www.spilighting.com/AIP12256> > Downloads > Install Sheets. Power drop canopy mounts to standard 4" octagonal junction box. Field adjustable aircraft cables allow fixture to be mounted at an application appropriate height (up to OAH). The aircraft ceiling coupler can be connected to the power drop canopy or can be separated from the power drop canopy to gain flexibility in mounting. See Downloads on website for mounting center measurements. Aircraft cable suspension uses ceiling coupler to mount to structure above. Coupler accepts 1/4-20 threaded rod or can be anchored using through hole (hardware by others). INSTALLATION NOTES: During installation, the contractor is responsible for using the actual fixtures to ensure accurate mounting centers from one fixture to the next along the length of the linear run.

- DF_AC | Aircraft Cable (default)

G - EMERGENCY

EMR is provided with a remote 10W, constant power battery back-up, for 90 Minutes of emergency operation, in a damp listed enclosure. EMC option if for direct connection to alternate emergency circuit (EM power By Others). All EM options in common section are provided with pass through wiring for normal power circuit within the configuration.

- EMC | Emergency Circuit
- EMR | Emergency Battery Remote

H - OTHER THAN STANDARD OPTIONS

Specify overall height required from ceiling to the bottom of the fixture.

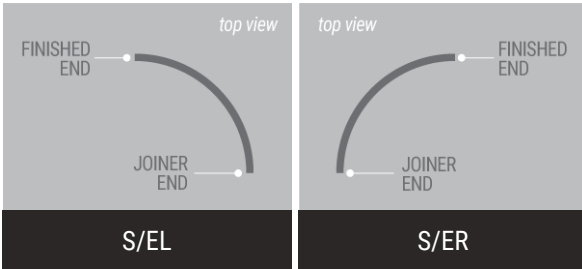
OAH | Pendant suspension length other than standard

I - CONFIGURATION *

Start/End units feature one joiner end and one finished end. Common units feature two joiner ends. Start/End and Common sections do not come with a power drop; see CPS12267 to order separately. Contact the factory for help determining how many drops your layout requires.

- COM ² | Common
- S/EL ² | Start/End Left
- S/ER ² | Start/End Right

² Excludes power drop kit; see catalog ID CPS12267 to order



Standard Finishes

The colors shown are representative. Their actual appearance may vary due to differences in display settings. You can request color chips by emailing contact@spilighting.com. Please note, finishes may not be available in all configurations.

Paint Colors

PT01 RAL9003 Signal White (Gloss)	PT51 Matte White (Textured)	PT02 White (Textured)	PT04 RAL9001 Cream (Textured)	PT67 RAL7044 Silk Grey (Textured)
PT53 RAL7035 Light Grey (Textured)	PT54 RAL7037 Dusty Grey (Textured)	PT55 RAL7012 Basalt Grey (Textured)	PT56 RAL7016 Anthracite Grey (Textured)	PT11 Black (Textured)
PT57 RAL1015 Light Ivory (Textured)	PT58 RAL8004 Copper Brown (Textured)	PT59 RAL6021 Pale Green (Textured)	PT60 RAL1019 Grey Beige (Textured)	PT61 RAL7006 Beige Grey (Textured)
PT62 RAL1003 Signal Yellow (Textured)	PT63 RAL3001 Signal Red (Textured)	PT64 RAL6001 Emerald Green (Textured)	PT65 RAL5005 Signal Blue (Textured)	PT66 RAL5003 Sapphire Blue (Textured)

Metallic Paint Colors

PT22 Platinum (Metallic Gloss)	PT48 Brass (Metallic Textured)	PT28 Dark Stainless (Metallic Gloss)	PT49 Bronze (Metallic Textured)	PT32 Dark Bronze (Metallic Gloss)
PT46 Aluminum (Metallic Textured)				

Specialty Finishes



More RAL®, Pantone®, and custom finishes are available upon request. Setup fee and additional lead time applies. Call factory for details.