

Lyon Exterior - Suspended

SEP12111 96.20 in

JOB NAME:

TYPE:

NOTES:

DESCRIPTION

Lyon is a family of small-scale linear LED fixtures that delivers impressive performance at an affordable price. Designed for exterior applications, it is a practical choice for lighting eaves, covered walkways, outdoor canopies or other exterior spaces. The lens, available in four shapes, softly diffuses light with minimal glare. Lyon's simple design and versatility make it suitable for many kinds of spaces. Available in interior and exterior pendant, ceiling, and wall mount versions in 4' and 8' lengths.

FEATURES & BENEFITS

- Choose from 4 diffuser shapes
- Housing is engineered to act as an efficient heat sink, maximizing output and life by allowing the LEDs to operate at optimal temperatures
- Semi-direct distribution of 89% direct/11% indirect
- Anodized finish provides durable corrosion protection
- Flush mounted external fasteners
- Available in two wattages
- Provides functional lighting with comfortable luminance levels
- Handcrafted in USA

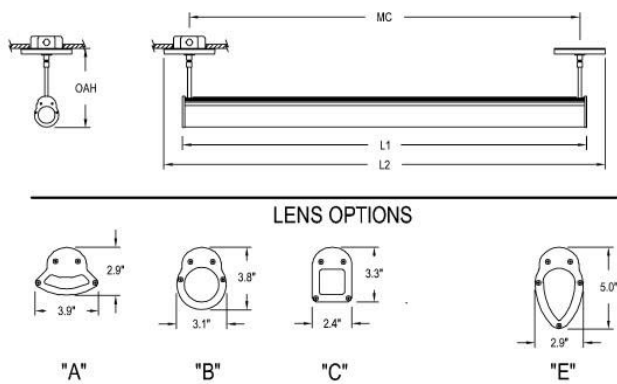
SPECIFICATIONS

- **LIGHT SOURCE:** White LED light engine
- **CRI:** 80+ or 90+
- **LUMEN MAINTENANCE:** L70 = >50,000 Hrs.
- **EFFICACY:** 105 lm/W delivered
- **CCT:** 2700K, 3000K, 3500K, 4000K, 5000K
- **VOLTAGE:** 120-277V standard
- **DRIVER:** Includes remote damp listed Class 2 power supply and either a damp location or wet location enclosure. Max distance to the driver (including OAH) is: #18 AWG = 50', #16 AWG = 75', #14 AWG = 100'. For extended distances, contact factory.
- **DIMMING:** 0-10V controls standard to 1%
- **CONTROLS:** Contact factory for control options (e.g., Lutron Athena, Current NX, nLight, Enlighted, Encelium, Wattstopper, WaveLinx, or Casambi).



- **EMERGENCY:** Remote battery option is provided with 10W Constant Power Battery back-up, providing 90 Minutes of Emergency operation. Contact factory for other Emergency options.
- **INTEGRATED SURGE PROTECTION:** LED components are protected against minor surge events
- **LENS:** Diffused acrylic lens
- **CONSTRUCTION:** Housing fabricated from 6000 series aluminum extrusion
- **FINISH:** Housing available in anodized finish only with end caps, canopies, and mounting components painted to match
- **MODIFICATIONS:** Consult factory for all modification requests, including RGB and static LED colors
- **APPROVALS:** ETL listed to UL standards (US & Canada) for use in wet locations

DIMENSIONS



L1	L2	OAH	MC
96.2 in	100.5 in	36 in	94.3 in
244.3 cm	255.3 cm	91.4 cm	239.5 cm

Mounting Weight
Consult Factory.

CONFIGURATOR

To configure your spec sheet online, go to www.spilighting.com/SEP12111. Not all options are available in all configurations; consult factory for details.

Required Field *

Catalog	Light Source*	Primary Finish*	Voltage*	Lamp Options*	CRI*	Mounting*	Remote Power Supply Enclosure*	Emergency	Lens Shapes*	Options	Other Than Standard Options
SEP12111											
	A		B	C	D	E	F	G	H	I	J

A - LIGHT SOURCE *

To ensure color consistency, SPI uses precise bin selection and strict quality processes to maintain a 3-step (MacAdam) SDCM on all white LED lampings. Published LED luminaire wattages are calculated using a typical power supply efficiency of 88%; exact wattages may vary based on application. Alternative wattages available upon request.

L28W | White 28W LED Light Engine | Delivered Lumens: 2,940

L56W | White 56W LED Light Engine | Delivered Lumens: 5,880

Cust_Out |

Lumen Calculator: Enter Lumens or Watts if different than displayed

LU Min 2940 - Max 5880

W Min 28.0 - Max 56.0

[See last page for finish options](#)

*For requests outside Min-Max range, please contact factory.

B - VOLTAGE *

120-277V | Universal Voltage

C - LAMP OPTIONS *

Apply multiplier from chart for delivered lumens at other CCT's and CRI's.

2700K | 2700K CCT

3000K | 3000K CCT

3500K | 3500K CCT

4000K | 4000K CCT

5000K | 5000K CCT

	80 CRI	90 CRI
2700K	1.00	0.84
3000K	1.00	0.84
3500K	1.00	0.84
4000K	1.00	0.84
5000K	1.00	0.84

D - CRI *

DF_80 | (default)

90

E - MOUNTING *

Mounts to standard 4" octagonal junction box. Features two 6.2" cast aluminum canopies. Choose a mounting from below:

DF_STM | Stem Mount (default)

F - REMOTE POWER SUPPLY ENCLOSURE *

PSE | Remote Power Supply with Damp Location Enclosure

PSE-WL | Remote Power Supply with Wet Location Enclosure

PSE-NONE | Remote Power Supply without Enclosure

G - EMERGENCY

10W, Constant Power Battery Back-up, with 90 minutes of emergency operation. EMR will be included in enclosure specified above.

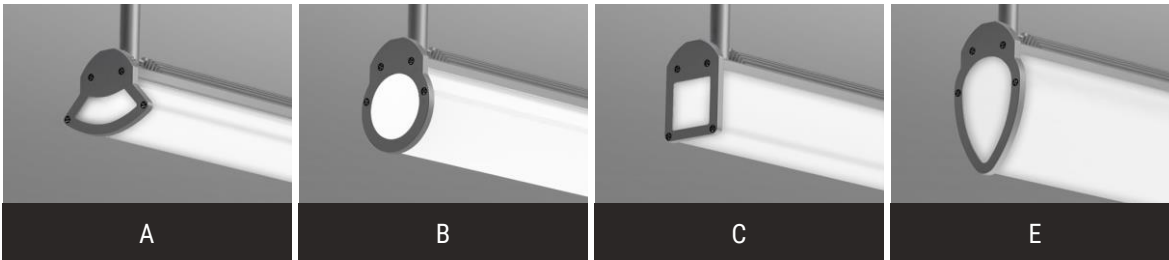
EMR ¹ | Emergency Battery Remote

¹ EMR not available with PSE-NONE

H - LENS SHAPES *

Shown at top with shape "B". See line art for dimensions.

- A | Lens Shape "A"
- B | Lens Shape "B"
- C | Lens Shape "C"
- E | Lens Shape "E"



I - OPTIONS

Alternate end cap finish (AEF) specified separately.

- EC01 | Solid End Cap
- AEF ² | Alternate End Cap Finish (See last page for finish options)

² Available in painted finishes only

J - OTHER THAN STANDARD OPTIONS

Specify overall height required from ceiling to the bottom of the fixture.

OAH | Pendant suspension length other than standard Length:

Standard Finishes

The colors shown are representative. Their actual appearance may vary due to differences in display settings. You can request color chips by emailing contact@spilighting.com. Please note, finishes may not be available in all configurations.

Paint Colors

PT01 RAL9003 Signal White (Gloss)	PT51 Matte White (Textured)	PT02 White (Textured)	PT04 RAL9001 Cream (Textured)	PT67 RAL7044 Silk Grey (Textured)
PT53 RAL7035 Light Grey (Textured)	PT54 RAL7037 Dusty Grey (Textured)	PT55 RAL7012 Basalt Grey (Textured)	PT56 RAL7016 Anthracite Grey (Textured)	PT11 Black (Textured)
PT57 RAL1015 Light Ivory (Textured)	PT58 RAL8004 Copper Brown (Textured)	PT59 RAL6021 Pale Green (Textured)	PT60 RAL1019 Grey Beige (Textured)	PT61 RAL7006 Beige Grey (Textured)
PT62 RAL1003 Signal Yellow (Textured)	PT63 RAL3001 Signal Red (Textured)	PT64 RAL6001 Emerald Green (Textured)	PT65 RAL5005 Signal Blue (Textured)	PT66 RAL5003 Sapphire Blue (Textured)

Anodized

AN04 Anodized

Metallic Paint Colors

PT22 Platinum (Metallic Gloss)	PT48 Brass (Metallic Textured)	PT28 Dark Stainless (Metallic Gloss)	PT49 Bronze (Metallic Textured)	PT32 Dark Bronze (Metallic Gloss)
PT46 Aluminum (Metallic Textured)				

Specialty Finishes



More RAL®, Pantone®, and custom finishes are available upon request. Setup fee and additional lead time applies. Call factory for details.