

IMPORTANT SAFETY AND INSTALLATION INSTRUCTIONS

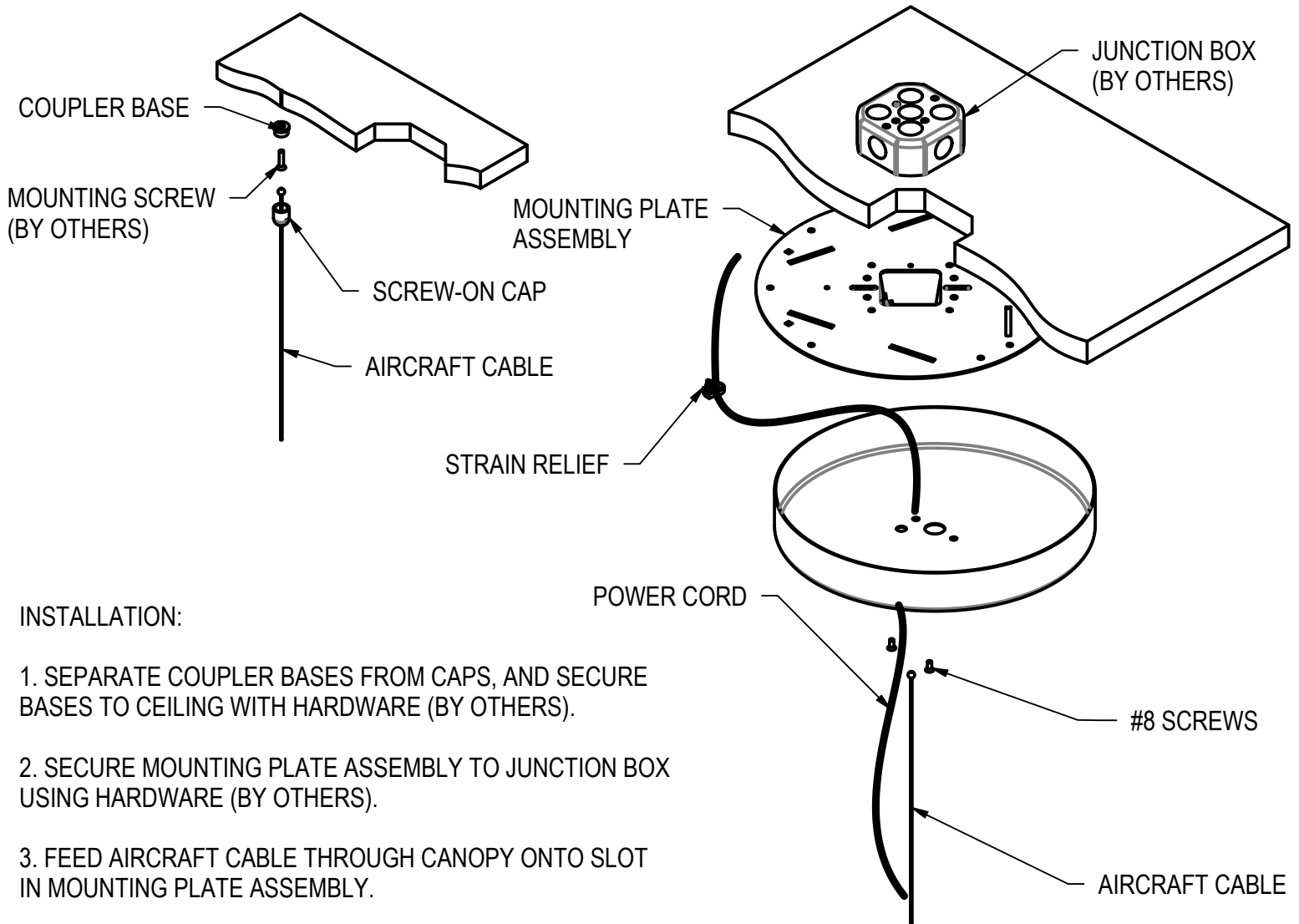
WARNING: Risk of fire and electrical shock. This product is to be installed by a qualified electrician only.

CAUTION: When using electrical equipment, basic safety precautions should always be followed including the following: Read all instructions carefully before installation and save

for future use. Make sure installation and all connections are in accordance with National Electrical Code and any local regulations. To avoid possible electrical shock, be sure that power supply is turned off before installing or servicing this fixture. Servicing should be performed by qualified service personnel.

These instructions do not claim to cover all details or variations. When additional information is desired, please contact your SPI representative.

SCA Mounting



INSTALLATION:

1. SEPARATE COUPLER BASES FROM CAPS, AND SECURE BASES TO CEILING WITH HARDWARE (BY OTHERS).
2. SECURE MOUNTING PLATE ASSEMBLY TO JUNCTION BOX USING HARDWARE (BY OTHERS).
3. FEED AIRCRAFT CABLE THROUGH CANOPY ONTO SLOT IN MOUNTING PLATE ASSEMBLY.
4. INSERT OTHER ENDS OF CABLES INTO GRIPPERS ON FIXTURE.
5. FEED POWER CORD THROUGH CANOPY, INSTALL STRAIN RELIEF (PROVIDED) AND MAKE CONNECTION TO DRIVERS. WIRE DRIVERS TO BRANCH CIRCUIT.
6. SCREW CANOPY ONTO MOUNTING BRACKET USING #8 SCREWS (PROVIDED). MAKE NECESSARY HEIGHT ADJUSTMENTS, AND LEVEL FIXTURE USING INTERNAL AIRCRAFT GRIPPERS. TRIM EXCESS CABLE AFTER ESTABLISHING DESIRED HEIGHT.

7/3/25
IS109412X