

IMPORTANT SAFETY AND INSTALLATION INSTRUCTIONS

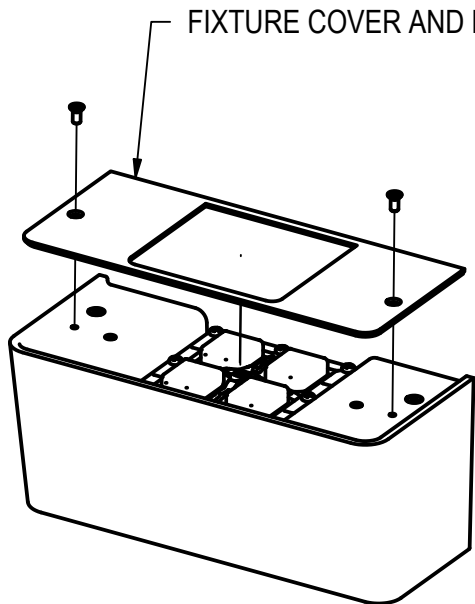
WARNING: Risk of fire and electrical shock. This product is to be installed by a qualified electrician only.

CAUTION: When using electrical equipment, basic safety precautions should always be followed including the following: Read all instructions carefully before installation and save

for future use. Make sure installation and all connections are in accordance with National Electrical Code and any local regulations. To avoid possible electrical shock, be sure that the power supply is turned off before installing or servicing this fixture. Servicing should be performed by qualified service personnel.

These instructions do not claim to cover all details or variations. When additional information is desired, please contact your SPI representative.

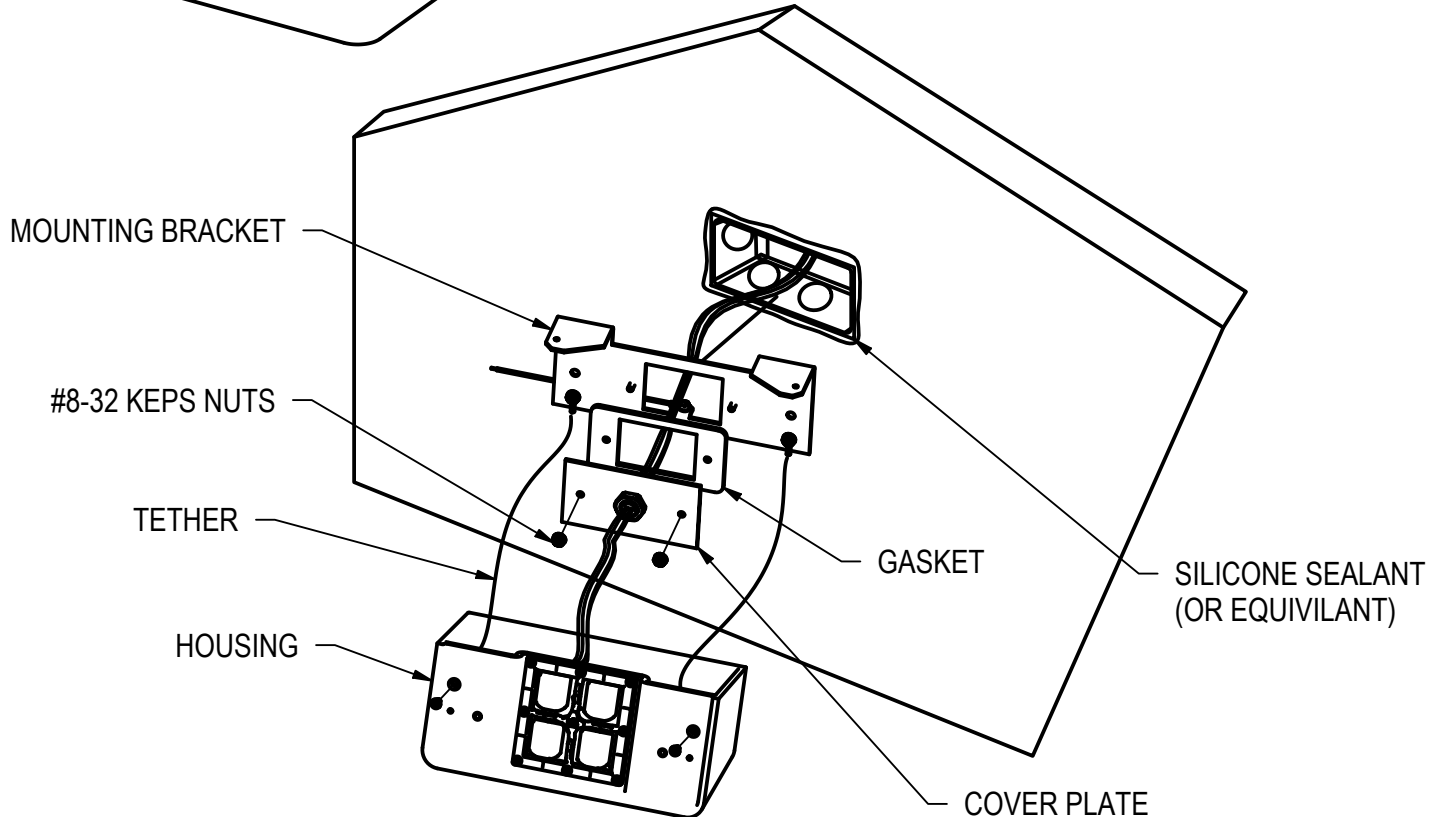
ECHO BLADE MICRO MAX EXT. - INTEGRAL DRIVER - SSB



INSTALLATION:

1. REMOVE FIXTURE COVER AND LENS.
2. APPLY SEALING ADHESIVE TO WALL AND ATTACH MOUNTING BRACKET TO WALL WITH SCREWS (BY OTHERS) ALLOWING FIXTURE HOUSING TO HANG BY TETHERS.
3. CONNECT TO SUPPLY WIRES IN ACCORDANCE WITH STATE AND LOCAL CODE.
4. INSTALL COVER PLATE AND COMPRESS GASKET BY TIGHTENING PROVIDED #8-32 KEPS NUTS.

(CONTINUED ON PAGE 2)



8/5/25
IS121229X

IMPORTANT SAFETY AND INSTALLATION INSTRUCTIONS

WARNING: Risk of fire and electrical shock. This product is to be installed by a qualified electrician only.

CAUTION: When using electrical equipment, basic safety precautions should always be followed including the following: Read all instructions carefully before installation and save

for future use. Make sure installation and all connections are in accordance with National Electrical Code and any local regulations. To avoid possible electrical shock, be sure that the power supply is turned off before installing or servicing this fixture. Servicing should be performed by qualified service personnel.

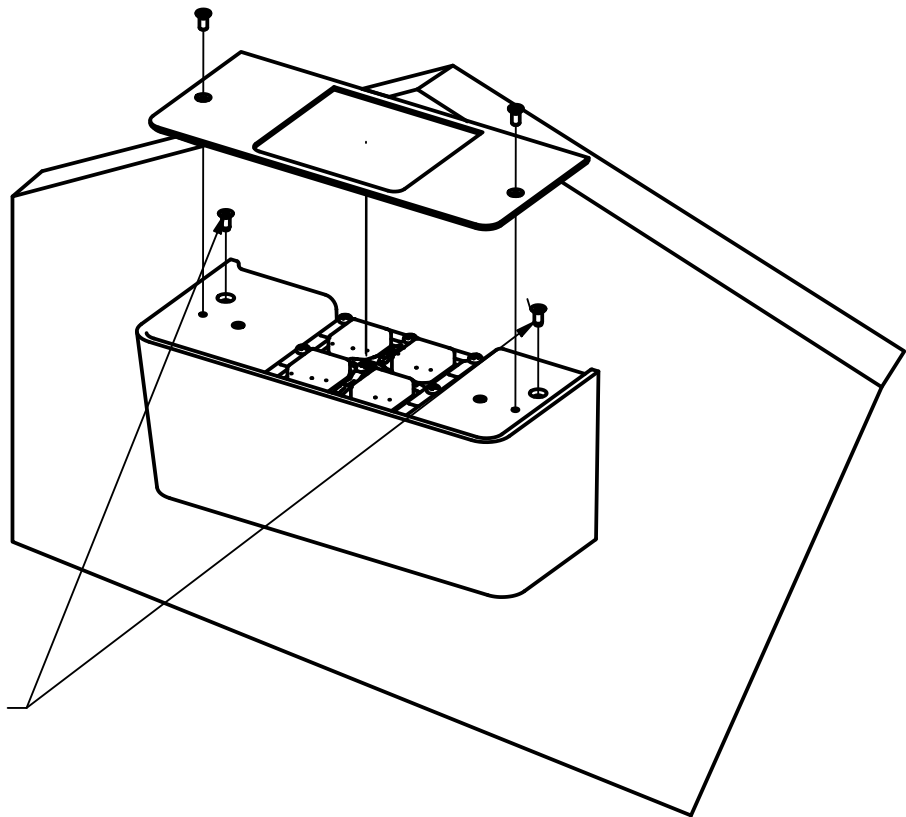
These instructions do not claim to cover all details or variations. When additional information is desired, please contact your SPI representative.

ECHO BLADE MICRO MAX EXT. - INTEGRAL DRIVER - SSB

(CONTINUED FROM PAGE 1)

5. SLIDE FIXTURE HOUSING OVER MOUNTING BRACKET AND FASTEN WITH PROVIDED SCREWS.

6. REINSTALL LENS (SHINY SIDE OF LENS FACES OUT) AND COVER TOP.



MOUNTING BRACKET SCREWS

8/5/25
IS121229X