

IMPORTANT SAFETY AND INSTALLATION INSTRUCTIONS

WARNING: Risk of fire and electrical shock. This product is to be installed by a qualified electrician only.

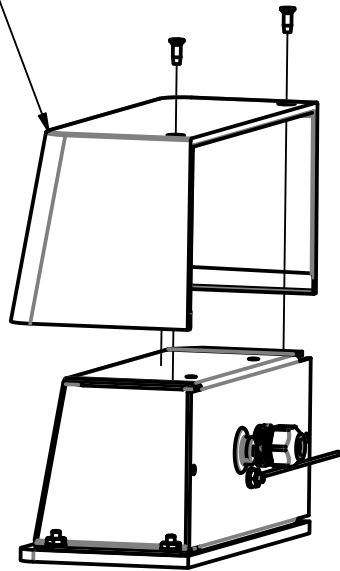
CAUTION: When using electrical equipment, basic safety precautions should always be followed including the following: Read all instructions carefully before installation and save

for future use. Make sure installation and all connections are in accordance with National Electrical Code and any local regulations. To avoid possible electrical shock, be sure that the power supply is turned off before installing or servicing this fixture. Servicing should be performed by qualified service personnel.

These instructions do not claim to cover all details or variations. When additional information is desired, please contact your SPI representative.

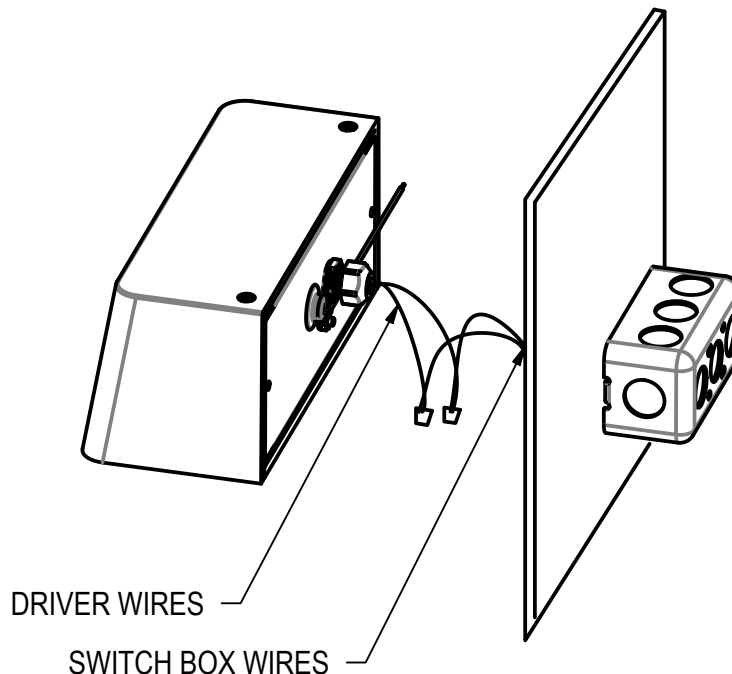
ECHO BLADE MICRO MAX EXT. - INTEGRAL DRIVER - SSB

FIXTURE COVER



INSTALLATION:

1. REMOVE FIXTURE COVER
2. CONNECT TO SUPPLY WIRES IN ACCORDANCE WITH STATE AND LOCAL CODE (CONTINUED ON PAGE 2)



8/5/25
IS121230X

IMPORTANT SAFETY AND INSTALLATION INSTRUCTIONS

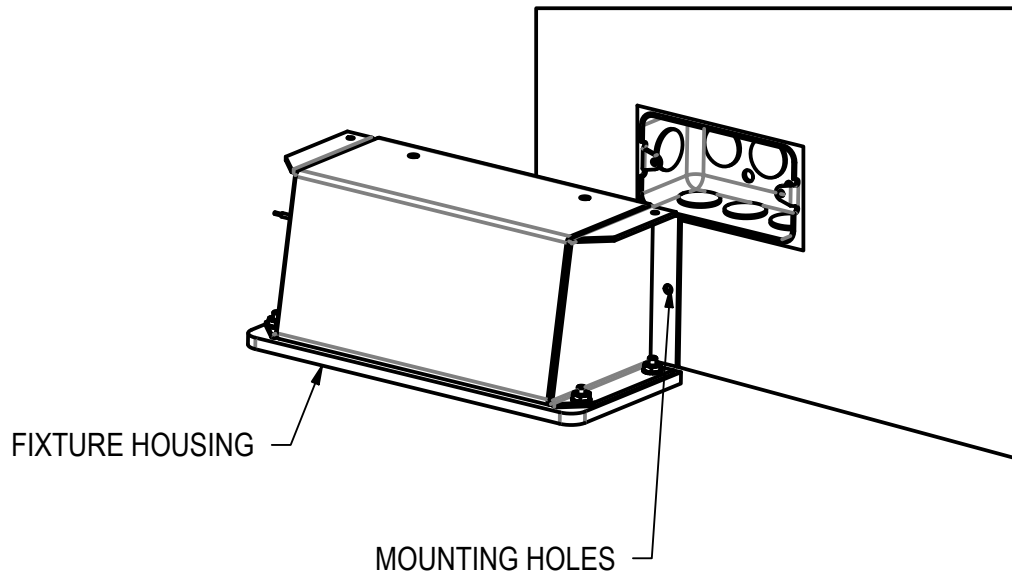
WARNING: Risk of fire and electrical shock. This product is to be installed by a qualified electrician only.

CAUTION: When using electrical equipment, basic safety precautions should always be followed including the following: Read all instructions carefully before installation and save

for future use. Make sure installation and all connections are in accordance with National Electrical Code and any local regulations. To avoid possible electrical shock, be sure that the power supply is turned off before installing or servicing this fixture. Servicing should be performed by qualified service personnel.

These instructions do not claim to cover all details or variations. When additional information is desired, please contact your SPI representative.

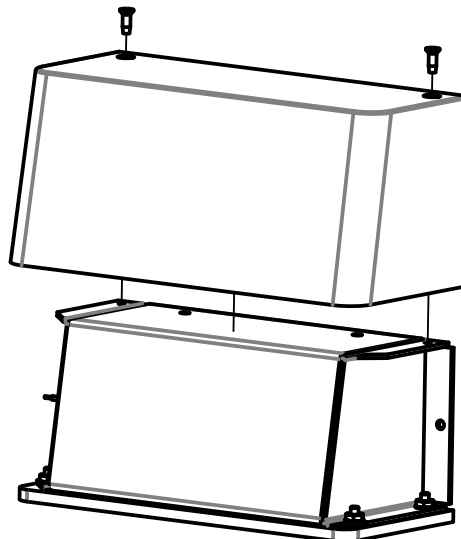
ECHO BLADE MICRO MAX EXT. - INTEGRAL DRIVER - SSB



(CONTINUED FROM PAGE 1)

3. USE MOUNTING HOLES ON FIXTURE HOUSING TO MOUNT TO SURFACE USING SCREWS (BY OTHERS).

4. SLIDE FIXTURE COVER OVER FIXTURE HOUSING AND FASTEN WITH PROVIDED SCREWS.



8/5/25
IS121230X