

# IMPORTANT SAFETY AND INSTALLATION INSTRUCTIONS

**WARNING:** Risk of fire and electrical shock. This product is to be installed by a qualified electrician only.

**CAUTION:** When using electrical equipment, basic safety precautions should always be followed including the following: Read all instructions carefully before installation and save

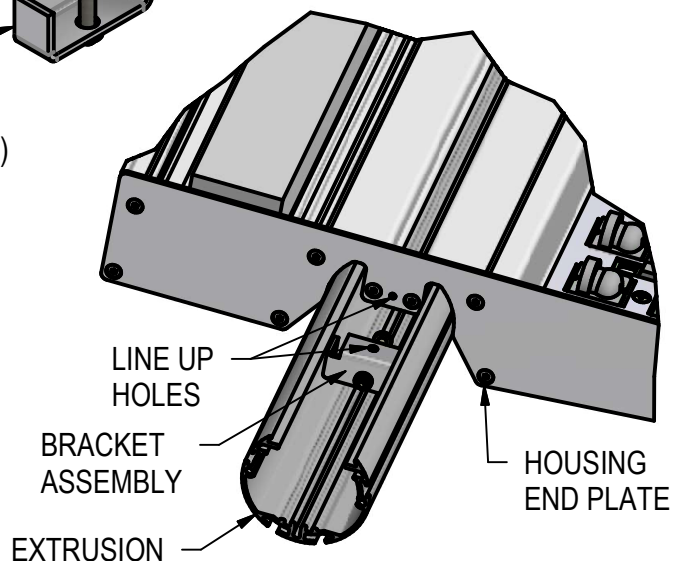
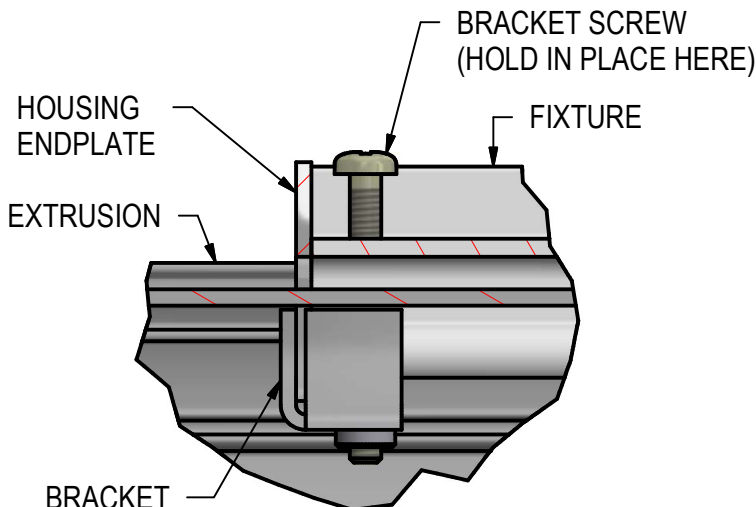
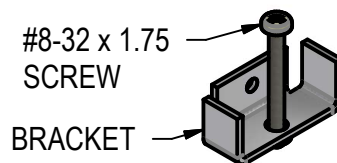
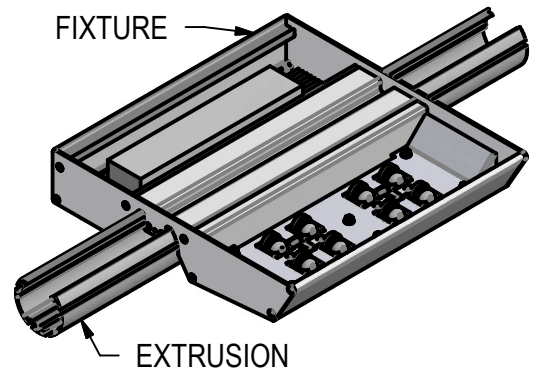
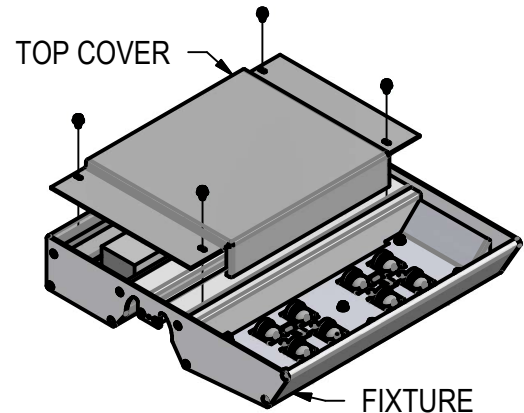
for future use. Make sure installation and all connections are in accordance with National Electrical Code and any local regulations. To avoid possible electrical shock, be sure that the power supply is turned off before installing or servicing this fixture. Servicing should be performed by qualified service personnel.

These instructions do not claim to cover all details or variations. When additional information is desired, please contact your SPI representative.

## LIGHTRUSS RAIL GEN 2

### INSTALL INSTRUCTIONS

1. AFTER HANGING SUPPORT RAILS, REMOVE TOP COVER FROM FIXTURE.
2. LOWER FIXTURE DOWN TO EXTRUSION AT DESIRED LOCATION.
3. INSERT #8-32 x 1.75 SCREW INTO BRACKET (IF NOT ALREADY DONE OR IF IT CAME LOOSE DURING SHIPPING). DON'T INSERT SCREW ALL THE WAY IN, LEAVE MOST OF IT STICKING OUT.
4. MANEUVER BRACKET ASSEMBLY INTO EXTRUSION. LINE UP BRACKET ASSEMBLY NEXT TO THE HOUSING ENDPLATE. #8-32 x 1.75 BRACKET SCREW NEEDS TO BE ON INSIDE OF FIXTURE AS SHOWN IN FIG. XX. HOLD BRACKET IN PLACE BY KEEPING ONE HAND ON THE BRACKET SCREW.



10/15/25  
IS121530X

# IMPORTANT SAFETY AND INSTALLATION INSTRUCTIONS

**WARNING:** Risk of fire and electrical shock. This product is to be installed by a qualified electrician only.

**CAUTION:** When using electrical equipment, basic safety precautions should always be followed including the following: Read all instructions carefully before installation and save

for future use. Make sure installation and all connections are in accordance with National Electrical Code and any local regulations. To avoid possible electrical shock, be sure that the power supply is turned off before installing or servicing this fixture. Servicing should be performed by qualified service personnel.

These instructions do not claim to cover all details or variations. When additional information is desired, please contact your SPI representative.

---

## LIGHTRUSS RAIL GEN 2

---

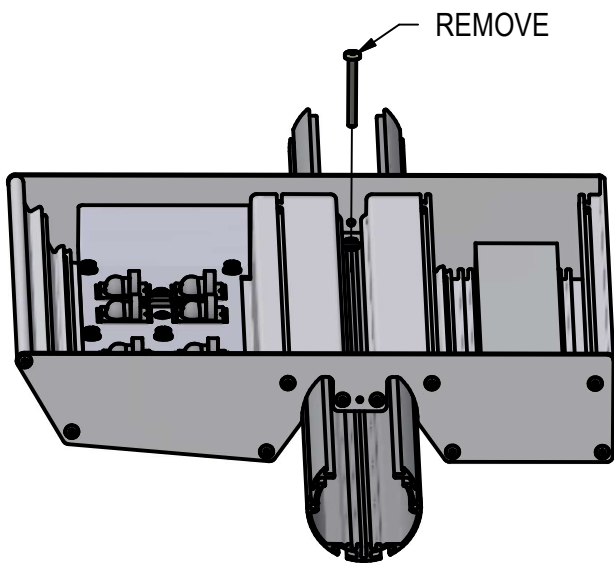
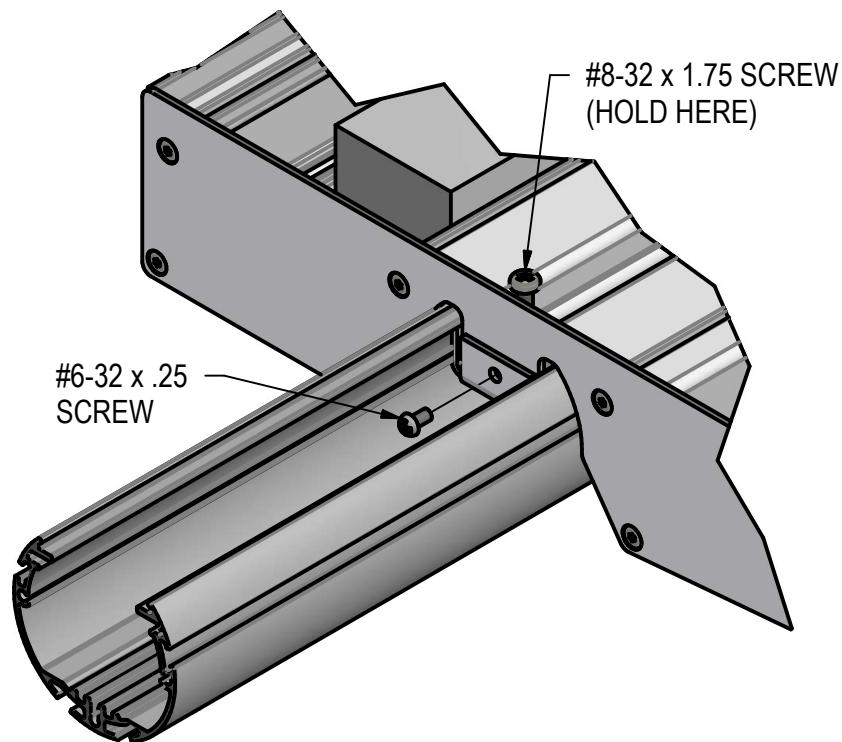
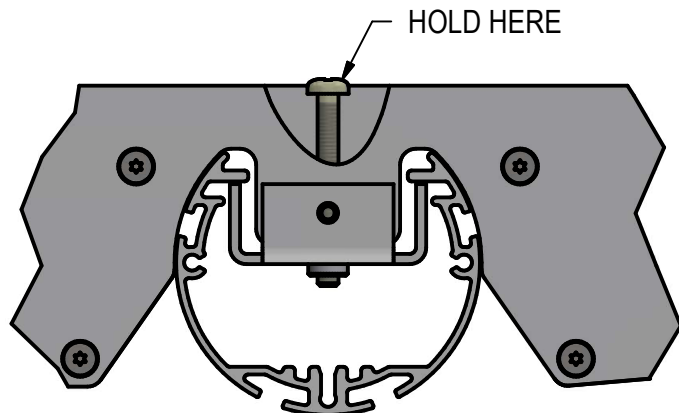
### INSTALL INSTRUCTIONS

5. HOLD BRACKET ASSEMBLY IN PLACE AND FASTEN TO HOUSING ENDPLATE BY INSERTING #6-32 x .25 SCREW INTO BRACKET HOLE.

6. ONCE BRACKET IS SECURED TO HOUSING END PLATE, REMOVE #8-32 x 1.75 SCREW FROM BRACKET ASSEMBLY.

7. REPEAT STEPS #4-6 FOR OTHER SIDE OF FIXTURE.

8. WITHIN FIXTURE AREA, SPLICE INTO MAIN FEED WIRES. CAREFULLY TUCK ALL WIRES INTO EXTRUSION



10/15/25  
IS121530X

# IMPORTANT SAFETY AND INSTALLATION INSTRUCTIONS

**WARNING:** Risk of fire and electrical shock. This product is to be installed by a qualified electrician only.

**CAUTION:** When using electrical equipment, basic safety precautions should always be followed including the following: Read all instructions carefully before installation and save

for future use. Make sure installation and all connections are in accordance with National Electrical Code and any local regulations. To avoid possible electrical shock, be sure that the power supply is turned off before installing or servicing this fixture. Servicing should be performed by qualified service personnel.

These instructions do not claim to cover all details or variations. When additional information is desired, please contact your SPI representative.

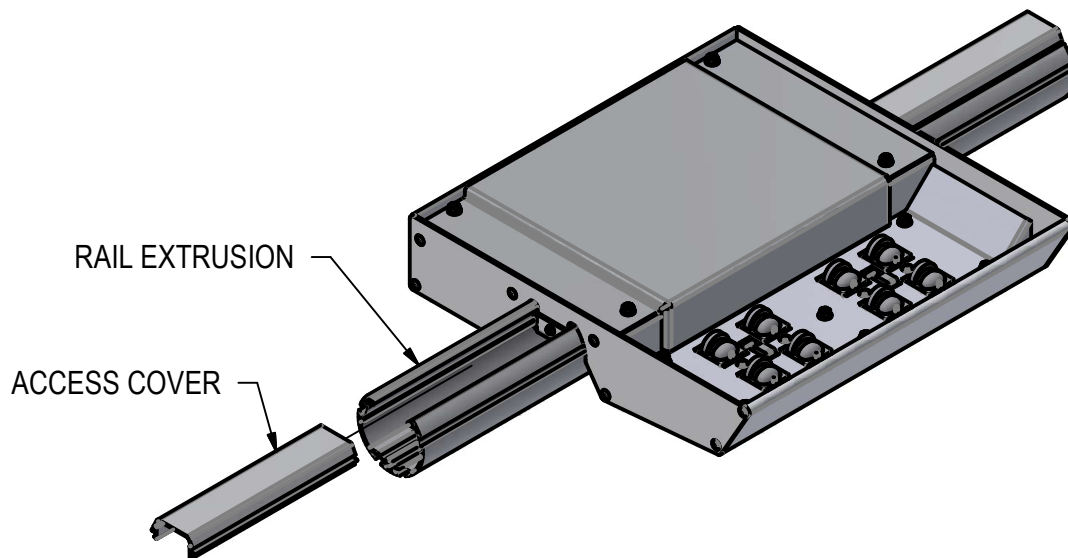
---

## LIGHTRUSS RAIL GEN 2

---

### INSTALL INSTRUCTIONS

9. AFTER HANGING ALL FIXTURES, CUT WHITE ACCESS COVER TO FIT BETWEEN FIXTURES AND SNAP INTO PLACE ON RAIL EXTRUSION.



10/15/25  
IS121530X