

PRELIMINARY SPEC



Constant Current LED Driver

**Model Number
ACI20CDI.05A2T**

Input Voltage: 120 - 277V

Input Frequency: 50/60Hz

Side Mount/Leads

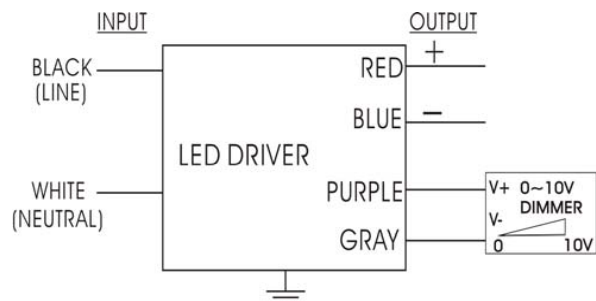
Tcase 90C down to 25% Load



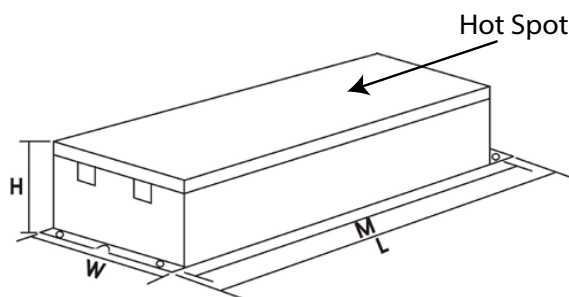
Electrical Specifications

Output Power Max. (W)	Output Voltage (V)	Output Current (A)	Min. Start Temp. (°F/°C)	Tcase Temp. Max. (°F/°C)	Input Current (A)	Input Power (W)	THD Max. (%)	IP Rating	Power Factor Min.	Typical Efficiency (%)
120	70-114	1050mA +/- 5%	-40/-40	194/90	1.45@120V 0.64@277V	134	<20	66	>0.9	90

Wiring Diagram



Dimming Protocol 0 to 10V - Dimming Range 10 to 100% Enclosure



	in.	cm.
Black	5.9	15
White	5.9	15
Blue	5.9	15
Red	5.9	15
Purple	7.1	18
Gray	7.1	18

Over All(L)	Width(W)	Height(H)	Mounting(M)
24.1cm	6.1cm	4.0cm	22.6cm
9.5"	2.4"	1.57"	8.9"

E-cap Rating - 130°C/5000Hr

SAFETY:

- Class A sound rating
- Overload Protection
- Open/Short Circuit Protection
- LED driver has a life expectancy of 50,000 hours at Tcase of ≤75°C
- LED driver has a life expectancy of 100,000 hours at Tcase of ≤65°C
- Warranty: 5 yrs based on max case temp of <75°C; 3 yrs based on max case temp of 90°C*
- Input/Output Isolation
- FCC Title 47 CFR Part 15
- Surge Protection (6 KV)

INSTALLATION:

- LED drivers shall be installed inside electrical enclosures
- 18 AWG 600V/105C tinned strand copper lead-wires are required for installation
- Max Remote installation distance is 18 ft
- LED driver cases should be grounded

*AC Electronics/AC LED Power Designs warrants to the purchaser that each LED Driver will be free from defects in material or workmanship for a period of 5 years when operated at max case temp of up to <75°C; 3 years from date of manufacture when operated at a max case temp of up to 90°C when properly installed and under normal conditions of use. See aceleds.com for complete warranty policy.



3401 Avenue D, Arlington, TX 76011 • 800-375-6355 • www.aceleds.com

Data is based upon tests performed by AC Electronics in a controlled environment and representative performance. Actual performance can vary depending on operating conditions. Specifications are subject to change without notice. All specifications are nominal unless otherwise noted.

