

# Zynn 2" Ring - Pendant

AIP12204 38.00 in | Direct/Indirect

JOB NAME:

TYPE:

NOTES:

## DESCRIPTION

Zynn 2" Ring is the complete tool kit for lighting professionals. This is the line to specify when you need aesthetics you can count on, a wide range of scales, and the performance capabilities to light a space effectively and comfortably.

### FEATURES & BENEFITS

- Sleek 2" x 3" profile
- Create a well-balanced combination of indirect and direct light to increase visual comfort and improve light uniformity
- Get tight to the ceiling with the Close-Mount Indirect Batwing option
- Control up and down components independently
- Seamless housing is finished to your specification
- Clean, continuous lines of light with zero pixelation
- Superior fit and finish
- Keep ceilings clean with minimal mounting hardware
- Hidden internal aircraft cable grippers are easy to adjust
- Handcrafted in USA, BABA Compliant



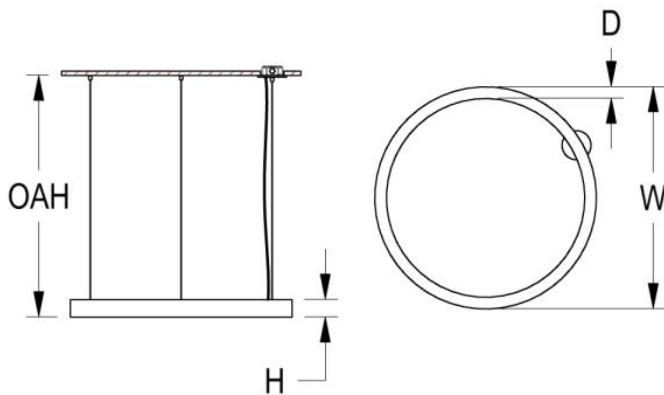
### SPECIFICATIONS

- **LIGHT SOURCE:** White LED light engine
- **DISTRIBUTION:** Direct/Indirect
- **CRI:** 80+ or 90+
- **LUMEN MAINTENANCE:** L80 = >60,000 Hrs.
- **EFFICACY:** Up to 115 lm/W delivered
- **CCT:** 2700K, 3000K, 3500K, 4000K, 5000K
- **VOLTAGE:** 120-277V standard
- **DRIVER:** Remote Class 2 power supply. Max distance to the driver (including OAH) is: #18 AWG = 50', #16 AWG = 75', #14 AWG = 100'. For extended distances, contact factory.
- **MAX AMBIENT OPERATING TEMP:** 42°C (108°F)
- **DIMMING:** 1% minimum dim level standard
- **CONTROLS:** 0-10V standard. Lutron Athena, Current NX, and nLight AIR optional. Contact factory for other controls (e.g.,

Enlighted, Encelium, Wattstopper, WaveLinx, or Casambi)

- **EMERGENCY:** Remote battery option is provided with 10W Constant Power Battery back-up, providing 90 Minutes of Emergency operation. Contact factory for other Emergency options.
- **INTEGRATED SURGE PROTECTION:** LED components are protected against minor surge events
- **DIFFUSER:** Seamless matte opal acrylic (bottom). Frosted clear acrylic (top).
- **CONSTRUCTION:** Housing fabricated from 6000 series aluminum extrusion
- **FINISH:** Housing and mounting components finished to match. To specify separately, contact factory. Choose from 26 standard thermoset polyester powder coat paint colors or various metal finishes. RAL®, Pantone®, or custom finishes available upon request.
- **MODIFICATIONS:** Consult factory for all modification requests, including alternate sizes
- **APPROVALS:** ETL listed to UL standards (US & Canada) for use in damp locations; not recommended for exterior applications

## DIMENSIONS



<b>W</b>	<b>H</b>	<b>D</b>	<b>OAH</b>
38 in	3 in	2 in	54 in
96.5 cm	7.6 cm	5.1 cm	137.2 cm

**Mounting Weight**  
Approximate: 20 lb (10 kg)

# CONFIGURATOR

To configure your spec sheet online, go to [www.spilighting.com/AIP12204](http://www.spilighting.com/AIP12204). Not all options are available in all configurations; consult factory for details.

## Required Field \*

Catalog	Light Source*	Primary Finish*	Light Source 2*	Indirect Distribution*	Voltage*	Lamp Options*	CRI*	Controls*	Mounting*	Emergency	Other Than Standard Options
AIP12204											
	A		B	C	D	E	F	G	H	I	J

## A - LIGHT SOURCE \*

---

To ensure color consistency, SPI uses precise bin selection and strict quality processes to maintain a 3-step (MacAdam) SDCM on all white LED lampings. Published LED luminaire wattages are calculated using a typical power supply efficiency of 88%; exact wattages may vary based on application. Alternative wattages available upon request. Choose a DIRECT light source below:

- DIR-L32W** | White 32W LED Light Engine | Delivered Lumens: 2,301
- DIR-L64W** | White 64W LED Light Engine | Delivered Lumens: 4,602
- DIR-L127W** | White 127W LED Light Engine | Delivered Lumens: 9,131
- Cust\_Out** |

**Lumen Calculator:** Enter Lumens or Watts if different than displayed

LU Min 2301 - Max 9131

W Min 32.0 - Max 127.0

[See last page for finish options](#)

\*For requests outside Min-Max range, please contact factory.

## B - LIGHT SOURCE 2 \*

---

Choose an INDIRECT light source below:

- IND-L32W** | White 32W LED Light Engine
- IND-L64W** | White 64W LED Light Engine
- IND-L127W** | White 127W LED Light Engine (Delivered Lumens: 15,989)
- CUST\_OP\_Out** |

**Lumen Calculator:** Enter Lumens or Watts if different than displayed

LU Min 4029 - Max 15989

W Min 32.0 - Max 127.0

\*For requests outside Min-Max range, please contact factory.

## C - INDIRECT DISTRIBUTION \*

---

Choose the optical distributing for the indirect portion of the ring:

- DF\_SME** | Symmetric (default)
- BW<sup>1</sup>** | Batwing

<sup>1</sup> Delivered lumens are 90% of the output shown under Light Source 2.

## D - VOLTAGE \*

---

- 120-277V** | Universal Voltage

## E - LAMP OPTIONS \*

Apply multiplier from charts for delivered lumens at other CCT's and CRI's.

- 2700K | 2700K CCT
- 3000K | 3000K CCT
- 3500K | 3500K CCT
- 4000K | 4000K CCT
- 5000K | 5000K CCT

	DIRECT LIGHT			INDIRECT LIGHT	
	80 CRI	90 CRI		80 CRI	90 CRI
2700K	n/a	0.84	2700K	1.00	0.84
3000K	n/a	1.00	3000K	1.00	0.84
3500K	n/a	1.00	3500K	1.00	0.84
4000K	n/a	1.00	4000K	1.00	0.84
5000K	n/a	1.00	5000K	1.00	0.84

## F - CRI \*

- 90
- 80 | (default)

## G - CONTROLS \*

Extended lead times may apply for controls other than 0-10V. Contact factory for additional control options such as Enlighted, Encelium, Wattstopper, WaveLinx, Casambi, or others.

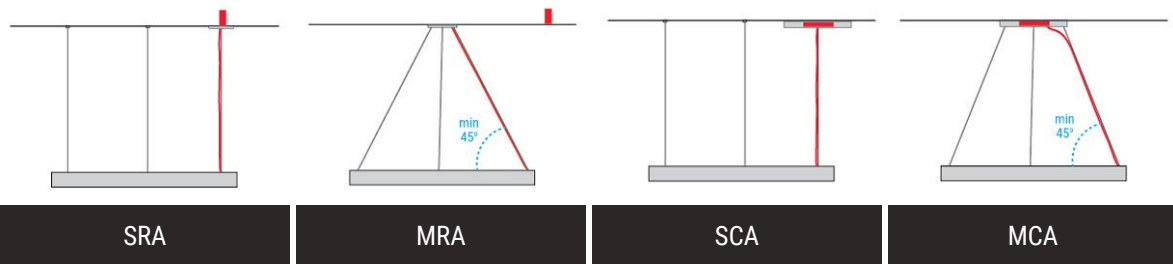
- DF\_DIM1 | 0-10V Control, 1% Dimming (default)
- AWRN<sup>2</sup> | Lutron Athena Wireless Node, 1% Dimming
- NX<sup>2</sup> | Current NX Wireless, 1% Dimming
- NLTA<sup>2</sup> | Acuity nLight Air, 1% Dimming

<sup>2</sup> Canopy dimensions may change for SCA and MCA mountings.

## H - MOUNTING \*

Mounts to standard 4" octagonal junction box (with auxiliary mounting holes for MCA). Field adjustable cables allow fixture to be mounted at an application appropriate height (up to OAH). Cables must be at least 45° to the fixture.

- SRA | 5" Flat Canopy & 3 Straight Aircraft Cables with White Power Cord, Remote Supply
- MRA | 6" Flat Monopoint Canopy & 3 Aircraft Cables with White Power Cord, Remote Supply
- SCA | 18" Canopy with Power Supply & 3 Straight Aircraft Cables with White Power Cord
- MCA | 18" Monopoint Canopy with Power Supply & 3 Aircraft Cables with White Power Cord



**I - EMERGENCY**

10W, Constant Power Battery Back-up, with 90 minutes of emergency operation. EMR includes damp location enclosure for Battery back-up.

EMR | Emergency Battery Remote

**J - OTHER THAN STANDARD OPTIONS**

Specify overall height required from ceiling to the bottom of the fixture. The minimum OAH is half the diameter of the drum plus the diffuser height.

OAH | Pendant suspension length other than standard Length:

## Standard Finishes

The colors shown are representative. Their actual appearance may vary due to differences in display settings. You can request color chips by emailing [contact@spilighting.com](mailto:contact@spilighting.com). Please note, finishes may not be available in all configurations.

### Paint Colors

<b>PT01</b> RAL9003 Signal White (Gloss)	<b>PT51</b> Matte White (Textured)	<b>PT02</b> White (Textured)	<b>PT04</b> RAL9001 Cream (Textured)	<b>PT67</b> RAL7044 Silk Grey (Textured)
<b>PT53</b> RAL7035 Light Grey (Textured)	<b>PT54</b> RAL7037 Dusty Grey (Textured)	<b>PT55</b> RAL7012 Basalt Grey (Textured)	<b>PT56</b> RAL7016 Anthracite Grey (Textured)	<b>PT11</b> Black (Textured)
<b>PT57</b> RAL1015 Light Ivory (Textured)	<b>PT58</b> RAL8004 Copper Brown (Textured)	<b>PT59</b> RAL6021 Pale Green (Textured)	<b>PT60</b> RAL1019 Grey Beige (Textured)	<b>PT61</b> RAL7006 Beige Grey (Textured)
<b>PT62</b> RAL1003 Signal Yellow (Textured)	<b>PT63</b> RAL3001 Signal Red (Textured)	<b>PT64</b> RAL6001 Emerald Green (Textured)	<b>PT65</b> RAL5005 Signal Blue (Textured)	<b>PT66</b> RAL5003 Sapphire Blue (Textured)

### Metallic Paint Colors

<b>PT22</b> Platinum (Metallic Gloss)	<b>PT48</b> Brass (Metallic Textured)	<b>PT28</b> Dark Stainless (Metallic Gloss)	<b>PT49</b> Bronze (Metallic Textured)	<b>PT32</b> Dark Bronze (Metallic Gloss)
<b>PT46</b> Aluminum (Metallic Textured)				

### Brushed Aluminum

<b>BAL</b> Brushed Aluminum	<b>MAL</b> Microbrushed Aluminum
--------------------------------	-------------------------------------

## Specialty Finishes



More RAL®, Pantone®, and custom finishes are available upon request. Setup fee and additional lead time applies. Call factory for details.