

IMPORTANT SAFETY AND INSTALLATION INSTRUCTIONS

WARNING: Risk of fire and electrical shock. This product is to be installed by a qualified electrician only.

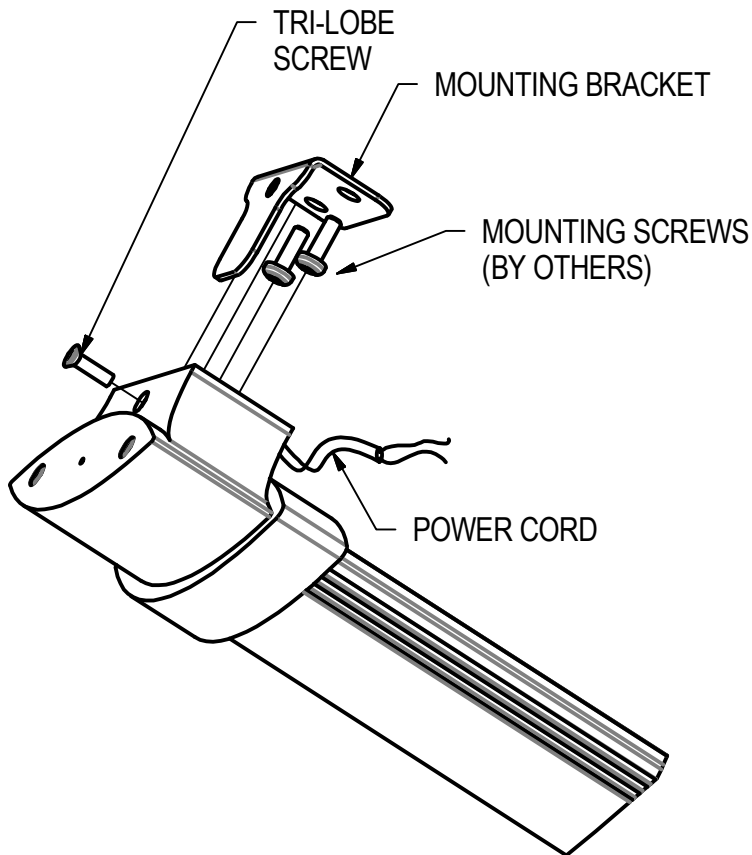
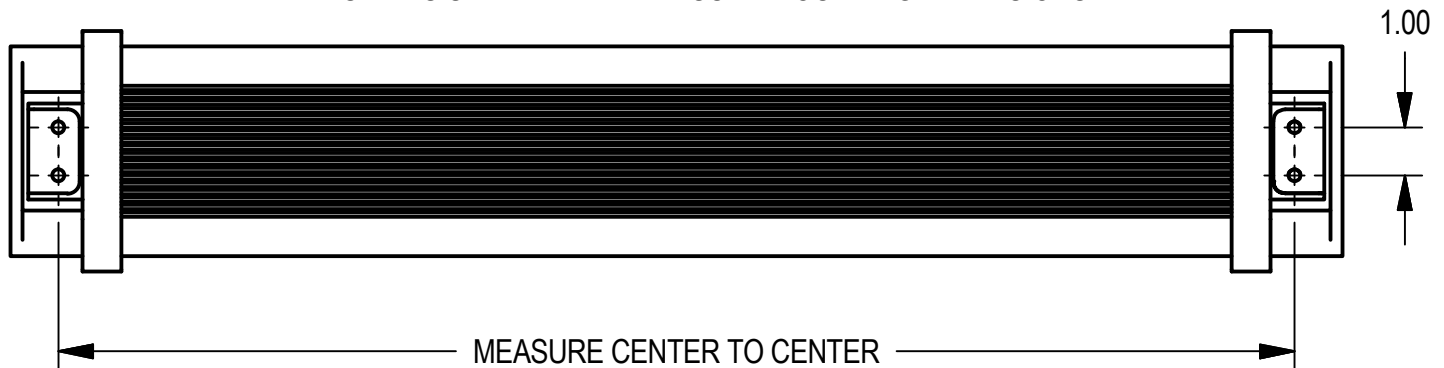
CAUTION: When using electrical equipment, basic safety precautions should always be followed including the following: Read all instructions carefully before installation and save

for future use. Make sure installation and all connections are in accordance with National Electrical Code and any local regulations. To avoid possible electrical shock, be sure that power supply is turned off before installing or servicing this fixture. Servicing should be performed by qualified service personnel.

These instructions do not claim to cover all details or variations. When additional information is desired, please contact your SPI representative.

TRYG FBK - FIXED BRACKET MOUNT

TAKE FIXTURE AS SHIPPED AND MEASURE MOUNTING DIMENSIONS



1. ONCE YOU HAVE DIMENSIONS, REMOVE THE MOUNTING BRACKETS FROM FIXTURE.
2. MOUNT BRACKETS TO MOUNTING SURFACE WITH MOUNTING SCREWS (BY OTHERS).
3. MAKE ELECTRICAL CONNECTIONS, PER LOCAL CODE, IN SPLICE COMPARTMENT (BY OTHERS).
4. MOUNT FIXTURE TO BRACKETS AND SECURE USING THE TRI-LOBE SCREW PROVIDED.

1/17/18
IS72460X