

IMPORTANT SAFETY AND INSTALLATION INSTRUCTIONS

WARNING: Risk of fire and electrical shock. This product is to be installed by a qualified electrician only.

CAUTION: When using electrical equipment, basic safety precautions should always be followed including the following: Read all instructions carefully before installation and save

for future use. Make sure installation and all connections are in accordance with National Electrical Code and any local regulations. To avoid possible electrical shock, be sure that power supply is turned off before installing or servicing this fixture. Servicing should be performed by qualified service personnel.

These instructions do not claim to cover all details or variations. When additional information is desired, please contact your SPI representative.

FOR RELAMPING AND ADJUSTMENTS SEE IS56183X

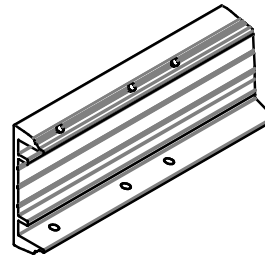
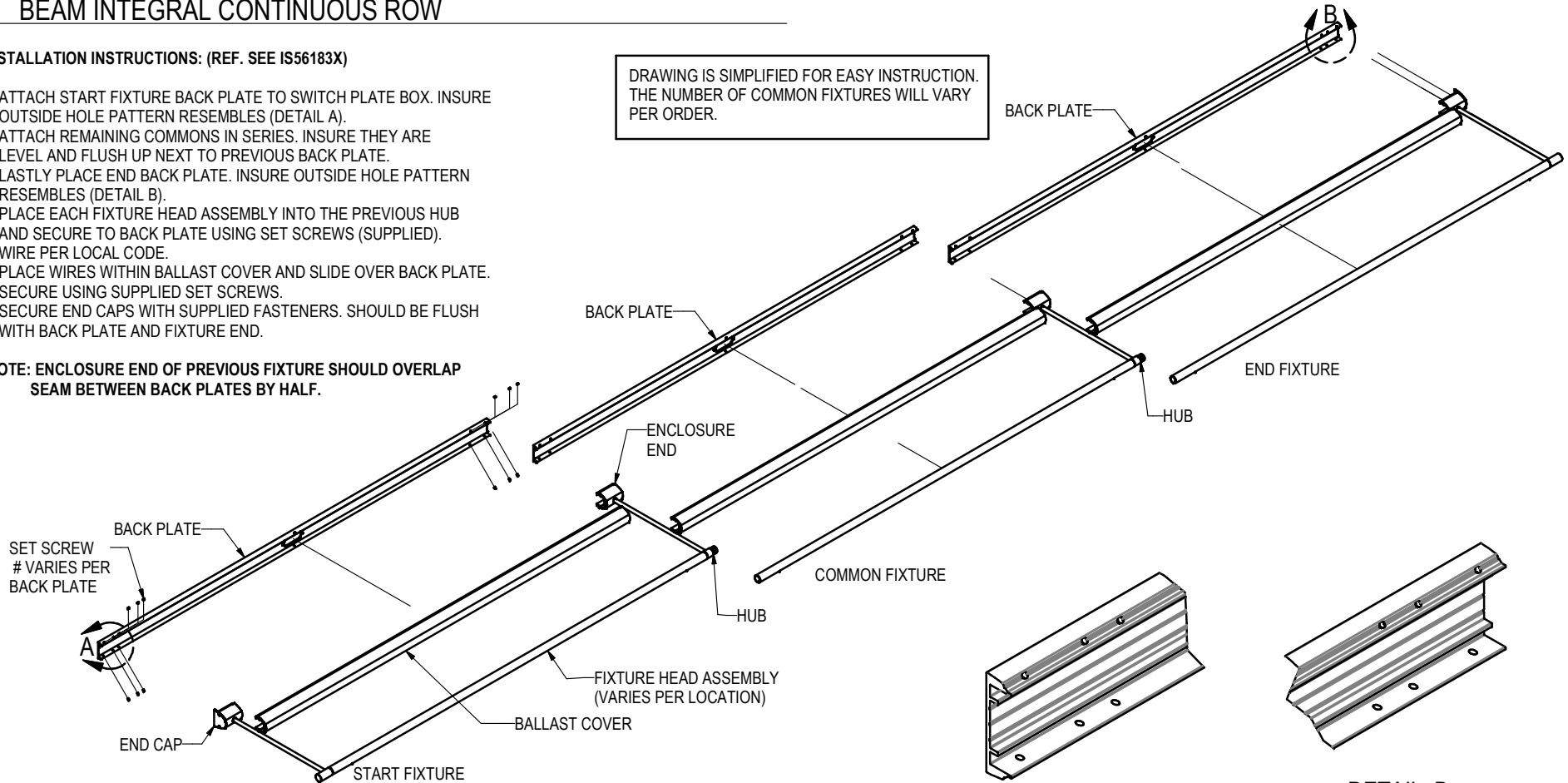
BEAM INTEGRAL CONTINUOUS ROW

INSTALLATION INSTRUCTIONS: (REF. SEE IS56183X)

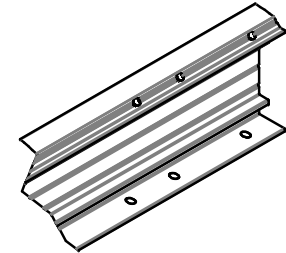
1. ATTACH START FIXTURE BACK PLATE TO SWITCH PLATE BOX. INSURE OUTSIDE HOLE PATTERN RESEMBLES (DETAIL A).
2. ATTACH REMAINING COMMONS IN SERIES. INSURE THEY ARE LEVEL AND FLUSH UP NEXT TO PREVIOUS BACK PLATE.
3. LASTLY PLACE END BACK PLATE. INSURE OUTSIDE HOLE PATTERN RESEMBLES (DETAIL B).
4. PLACE EACH FIXTURE HEAD ASSEMBLY INTO THE PREVIOUS HUB AND SECURE TO BACK PLATE USING SET SCREWS (SUPPLIED). WIRE PER LOCAL CODE.
5. PLACE WIRES WITHIN BALLAST COVER AND SLIDE OVER BACK PLATE. SECURE USING SUPPLIED SET SCREWS.
6. SECURE END CAPS WITH SUPPLIED FASTENERS. SHOULD BE FLUSH WITH BACK PLATE AND FIXTURE END.

NOTE: ENCLOSURE END OF PREVIOUS FIXTURE SHOULD OVERLAP SEAM BETWEEN BACK PLATES BY HALF.

DRAWING IS SIMPLIFIED FOR EASY INSTRUCTION. THE NUMBER OF COMMON FIXTURES WILL VARY PER ORDER.



DETAIL A
SCALE 1 / 2



DETAIL B
SCALE 1 / 2

11/10/11
IS61237X