

IMPORTANT SAFETY AND INSTALLATION INSTRUCTIONS

WARNING: Risk of fire and electrical shock. This product is to be installed by a qualified electrician only.

CAUTION: When using electrical equipment, basic safety precautions should always be followed including the following: Read all instructions carefully before installation and save

for future use. Make sure installation and all connections are in accordance with National Electrical Code and any local regulations. To avoid possible electrical shock, be sure that power supply is turned off before installing or servicing this fixture. Servicing should be performed by qualified service personnel.

These instructions do not claim to cover all details or variations. When additional information is desired, please contact your SPI representative.

BEAM LBC/SBC - J-BOX/SWITCH BOX MOUNT (LED)

JUNCTION BOX LOCATIONS

SINGLE GANG SWITCH BOXES MAY BE INSTALLED VERTICAL, OR HORIZONTAL. (HORIZONTAL SHOWN)

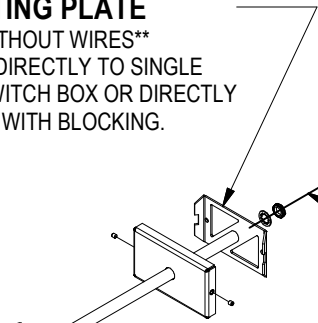
FIXTURE	"A"
SLWB 029 LED (2 FT NOMINAL)	29.0"
SLWB 041 LED (3 FT NOMINAL)	41.0"
SLWB 053 LED (4 FT NOMINAL)	53.0"
SLWB 065 LED (5 FT NOMINAL)	65.0"

FIXTURE IS REVERSIBLE. THE SUPPLY LEADS MAY BE LOCATED AT EITHER END.

MOUNTING PLATE

****END WITHOUT WIRES****

ATTACH DIRECTLY TO SINGLE GANG SWITCH BOX OR DIRECTLY TO WALL WITH BLOCKING.

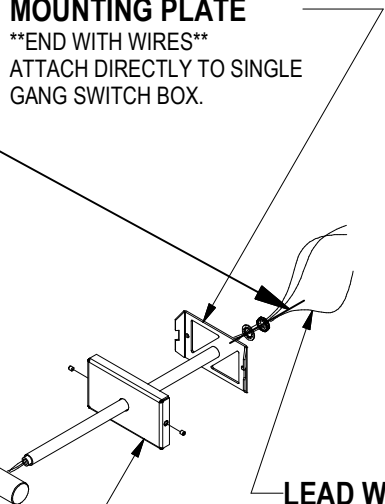


"A"

MOUNTING PLATE

****END WITH WIRES****

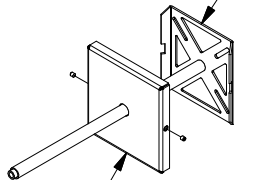
ATTACH DIRECTLY TO SINGLE GANG SWITCH BOX.



LEAD WIRES
TO REMOTE POWER SUPPLY

ALTERNATIVE MOUNTING PLATE

ATTACH DIRECTLY TO STANDARD JUNCTION BOX



ALTERNATIVE SPLICE COVER

SLIDE COVER OVER MOUNTING BRACKET AND SECURE WITH SET SCREWS.

SPLICE COVER

SLIDE COVER OVER MOUNTING BRACKET AND SECURE WITH SET SCREWS.

11/3/11

IS45797X