

# IMPORTANT SAFETY AND INSTALLATION INSTRUCTIONS

**WARNING:** Risk of fire and electrical shock. This product is to be installed by a qualified electrician only.

**CAUTION:** When using electrical equipment, basic safety precautions should always be followed including the following: Read all instructions carefully before installation and save

for future use. Make sure installation and all connections are in accordance with National Electrical Code and any local regulations. To avoid possible electrical shock, be sure that power supply is turned off before installing or servicing this fixture. Servicing should be performed by qualified service personnel.

These instructions do not claim to cover all details or variations. When additional information is desired, please contact your SPI representative.

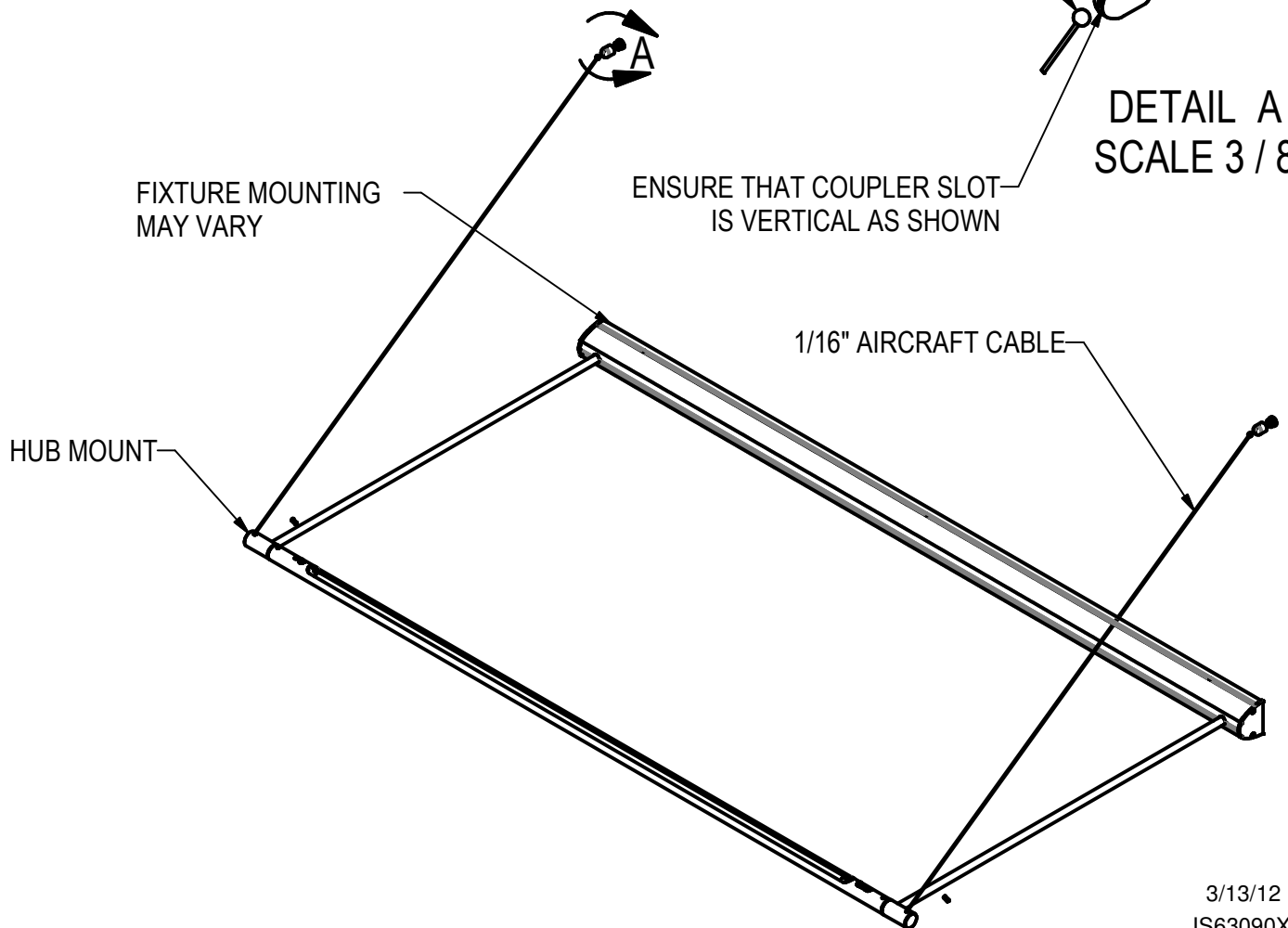
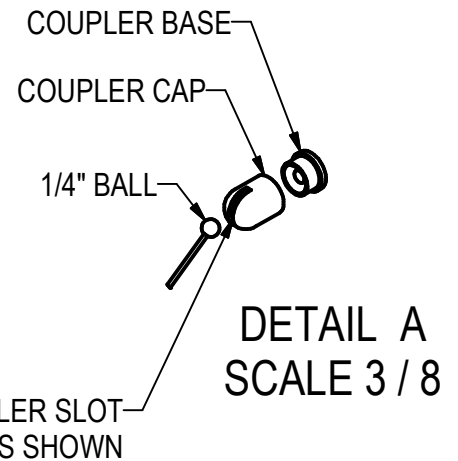
---

## BEAM WALL WITH AIRCRAFT SUPPORT

---

### NOTES:

1. RUN 1/16" AIRCRAFT CABLE THRU COUPLER CAP SO 1/4" BALL IS CAPTURED IN CAP.
2. RUN 1/16" AIRCRAFT CABLE THRU HOLE IN HUB MOUNT & TIGHTEN 8-32 SET SCREWS PROVIDED.
3. ATTACH COUPLER BASE TO WALL AT PROPER HEIGHT WITH HARDWARE (BY OTHERS).
4. SCREW COUPLER CAP ONTO COUPLER BASE & ADJUST COUPLER SO SLOT IS VERTICAL.
5. ADJUST TENSION IN AIRCRAFT CABLE AT HUB MOUNT IF NECESSARY.
6. TRIM EXCESS AIRCRAFT CABLE IF DESIRED.  
(NOTE: TRIMMING THE CABLE MAY CAUSE FRAYING.)



3/13/12  
IS63090X