

IMPORTANT SAFETY AND INSTALLATION INSTRUCTIONS

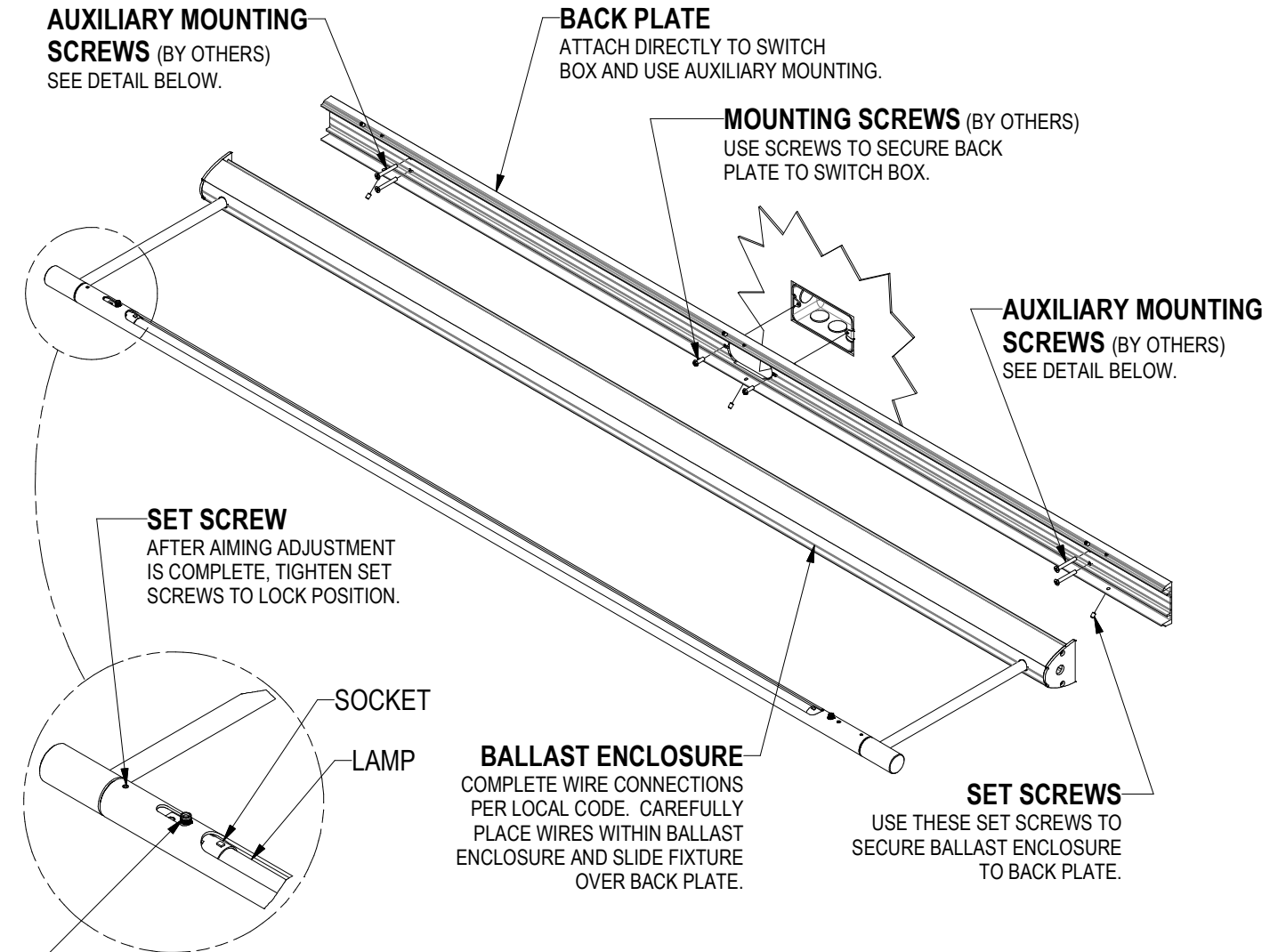
WARNING: Risk of fire and electrical shock. This product is to be installed by a qualified electrician only.

CAUTION: When using electrical equipment, basic safety precautions should always be followed including the following: Read all instructions carefully before installation and save

for future use. Make sure installation and all connections are in accordance with National Electrical Code and any local regulations. To avoid possible electrical shock, be sure that power supply is turned off before installing or servicing this fixture. Servicing should be performed by qualified service personnel.

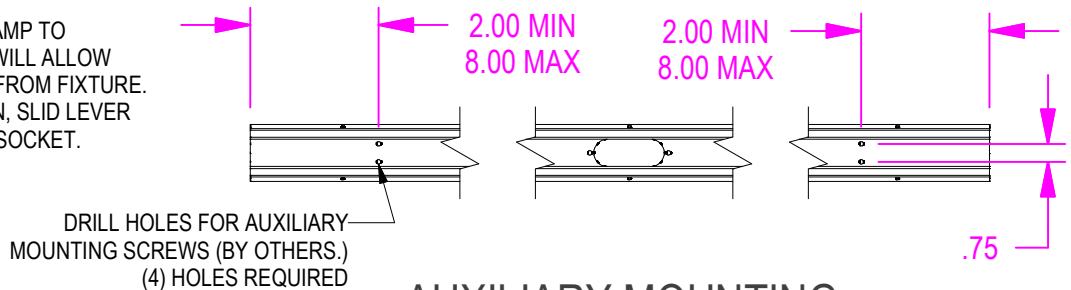
These instructions do not claim to cover all details or variations. When additional information is desired, please contact your SPI representative.

BEAM SMT - SURFACE MOUNT



RELAMP LEVER

SLIDE LEVER AWAY FROM LAMP TO DISENGAGE SOCKET. THIS WILL ALLOW THE LAMP TO BE REMOVED FROM FIXTURE. WITH NEW LAMP IN POSITION, SLID LEVER TOWARD LAMP TO ENGAGE SOCKET.



AUXILIARY MOUNTING

11/3/11
IS56183X