

# IMPORTANT SAFETY AND INSTALLATION INSTRUCTIONS

**WARNING:** Risk of fire and electrical shock. This product is to be installed by a qualified electrician only.

**CAUTION:** When using electrical equipment, basic safety precautions should always be followed including the following: Read all instructions carefully before installation and save

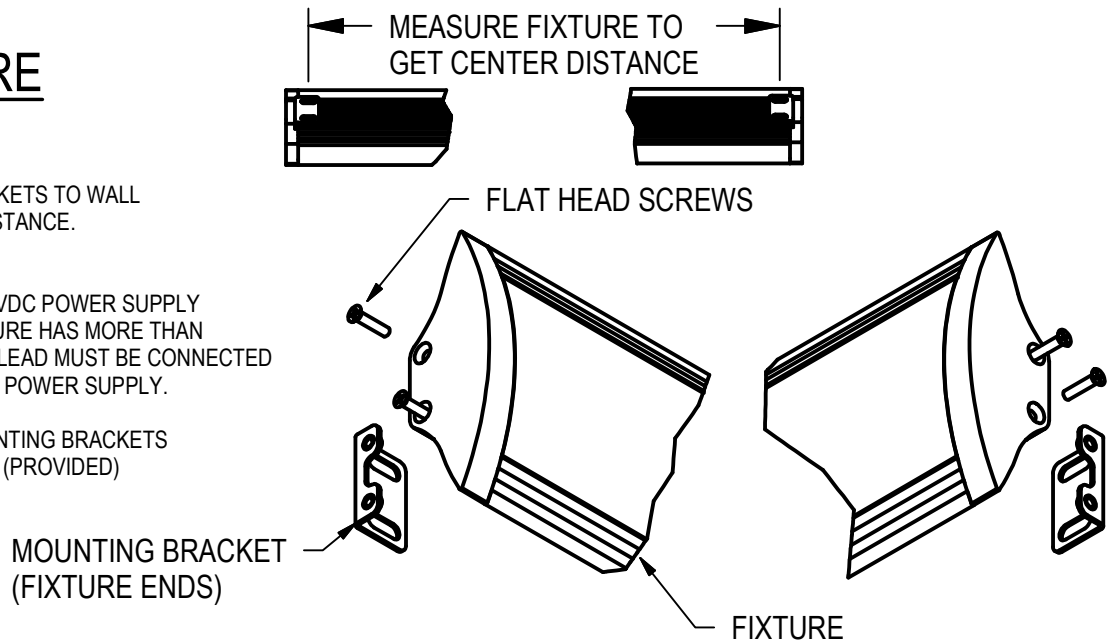
for future use. Make sure installation and all connections are in accordance with National Electrical Code and any local regulations. To avoid possible electrical shock, be sure that power supply is turned off before installing or servicing this fixture. Servicing should be performed by qualified service personnel.

These instructions do not claim to cover all details or variations. When additional information is desired, please contact your SPI representative.

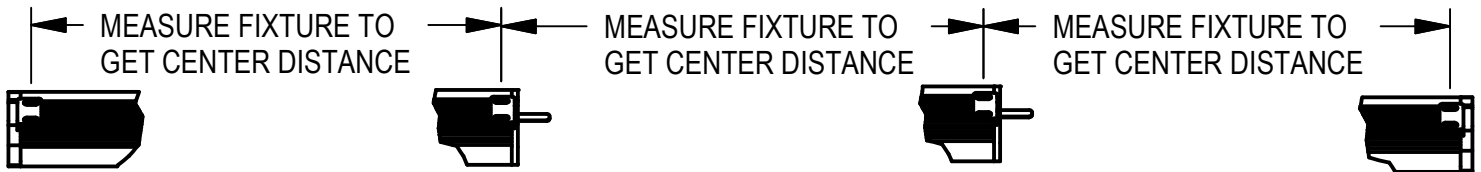
## FIXED BRACKET MOUNTED TRYG (FBK)

### SINGLE FIXTURE

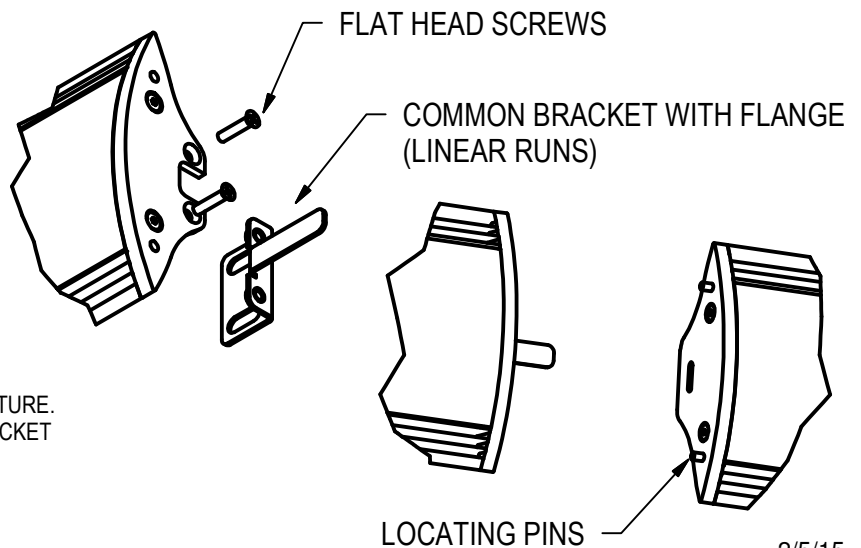
1. SECURE MOUNTING BRACKETS TO WALL AT MEASURED CENTER DISTANCE. (FASTENERS BY OTHERS.)
2. CONNECT FIXTURE TO 24 VDC POWER SUPPLY PER LOCAL CODE. IF FIXTURE HAS MORE THAN ONE SET OF LEADS, EACH LEAD MUST BE CONNECTED TO AN INDIVIDUAL CLASS II POWER SUPPLY.
3. ATTACH FIXTURE TO MOUNTING BRACKETS WITH FLAT HEAD SCREWS (PROVIDED)



### LINEAR RUNS



1. SECURE MOUNTING BRACKETS TO WALL AT MEASURED CENTER DISTANCE. (FASTENERS BY OTHERS.)
2. CONNECT FIXTURE TO 24 VDC POWER SUPPLY PER LOCAL CODE. IF FIXTURE HAS MORE THAN ONE SET OF LEADS, EACH LEAD MUST BE CONNECTED TO AN INDIVIDUAL CLASS II POWER SUPPLY.
3. ATTACH FIRST FIXTURE TO MOUNTING BRACKETS WITH FLAT HEAD SCREWS (PROVIDED)
4. SLIDE THE NEXT FIXTURE ALONG FLANGE ON COMMON BRACKET UNTIL LOCATING PINS ENGAGE PREVIOUS FIXTURE. SECURE OPPOSITE END OF FIXTURE TO MOUNTING BRACKET WITH FLAT HEAD SCREWS (PROVIDED)
5. REPEAT STEPS 2 THRU 4 UNTIL THE RUN IS COMPLETE,



2/5/15  
IS91276X