

IMPORTANT SAFETY AND INSTALLATION INSTRUCTIONS

WARNING: Risk of fire and electrical shock. This product is to be installed by a qualified electrician only.

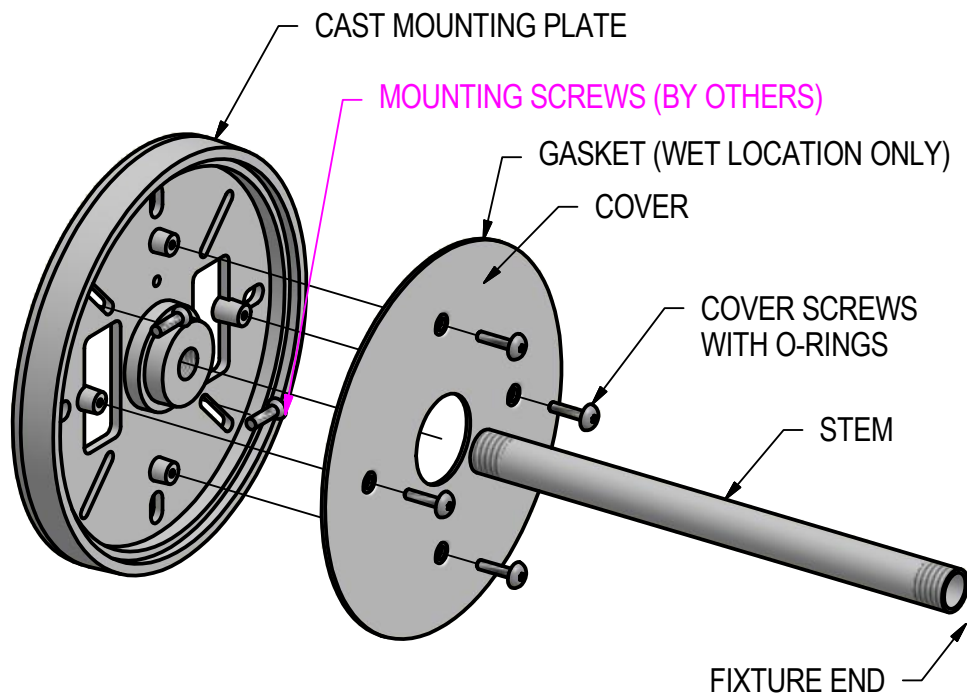
CAUTION: When using electrical equipment, basic safety precautions should always be followed including the following: Read all instructions carefully before installation and save

for future use. Make sure installation and all connections are in accordance with National Electrical Code and any local regulations. To avoid possible electrical shock, be sure that power supply is turned off before installing or servicing this fixture. Servicing should be performed by qualified service personnel.

These instructions do not claim to cover all details or variations. When additional information is desired, please contact your SPI representative.

WET LOCATION STEM MOUNT

1. FEED LEAD WIRES THROUGH STEM, LOCKNUT, COVER AND CAST MOUNTING PLATE KEEPING THE SHORTER THREADS TOWARDS THE FIXTURE.
2. SCREW STEM INTO HUB. SCREW LOCKNUT ONTO OPPOSITE END OF STEM. SLIDE COVER OVER STEM, AND SCREW CAST MOUNTING PLATE ONTO THE STEM. (NOTE ORIENTATION OF CAST MOUNTING PLATE) TIGHTEN LOCKNUT AGAINST CAST MOUNTING PLATE.
3. MAKE WIRE CONNECTIONS, AND MOUNT CAST MOUNTING PLATE WITH HARDWARE (BY OTHERS).
4. SECURE COVER TO CAST MOUNTING PLATE WITH SCREWS PROVIDED. ****CAUTION!: FOR WET LOCATION, SCREWS MUST HAVE RUBBER O-RING ON THEM TO PROVIDE A PROPER SEAL.****
5. ****FOR WET LOCATION ONLY**** A BEAD OF RTV (OR EQUAL) MUST BE PLACED AROUND THE CAST MOUNTING SURFACE WHERE IT MEETS THE WALL, LEAVING APPROX 1/2" OF UNSEALED SURFACE AT THE BOTTOM OF THE FIXTURE.



NOTE:
HUB SHAPE AND SIZE WILL VARY
WITH EACH FIXTURE SELECTED.

3/28/13
IS79269X