

# INACTIVE SPEC SHEET

## Arcadia Exterior - Round Luminous Window

AEW9991 18.00 in

JOB NAME:

TYPE:

NOTES:

### DESCRIPTION

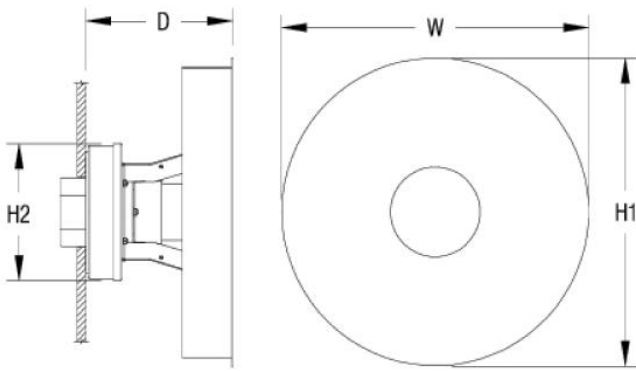
Exceptional appearance by day, great performance by night. Arcadia offers compelling design with the flexibility to complement architecture during daylight hours. Use it to accent exterior facades and illuminate for comfort and security.

### SPECIFICATIONS

- **LIGHT SOURCE:** IP66 white LED light engine
- **LUMEN MAINTENANCE:** L70 life = 50,000+ hours
- **CCT:** 3000K, 3500K, or 4000K
- **DRIVER:** Integral Class II power supply standard
- **DIMMING:** 0-10V controls standard on LED light engines
- **EMERGENCY:** Emergency battery remote optional
- **CONSTRUCTION:** Formed metal construction provides durable protection for internal components and is recyclable
- **FINISH:** Choose from 26 standard thermoset polyester powder coat paint colors or brushed aluminum finish. RAL®, Pantone®, or custom finishes available upon request. Mounting brackets are painted black.
- **MOUNTING:** Surface mount splice compartment (SSC) mounts to standard 4" octagonal junction box, with auxiliary mounting
- **MODIFICATIONS:** Consult factory for all modification requests
- **APPROVALS:** ETL listed to UL standards (US & Canada) for use in wet locations



## DIMENSIONS



<b>W</b>	<b>H1</b>	<b>H2</b>	<b>D</b>
18 in	18 in	8 in	8.6 in
45.7 cm	45.7 cm	20.3 cm	21.8 cm

**Mounting Weight**  
Approximate: 25 lb (12 kg)

## CONFIGURATOR

To configure your spec sheet online, go to [www.spilighting.com/AEW9991](http://www.spilighting.com/AEW9991). Not all options are available in all configurations; consult factory for details.

### Required Field \*

Catalog	Light Source*	Primary Finish*	Voltage	Lamp Options	Emergency
AEW9991					
	A		B	C	D

## A - LIGHT SOURCE \*

To ensure color consistency, SPI uses precise bin selection and strict quality processes to maintain a 3-step (MacAdam) SDCM on all white LED lampings. Published LED luminaire wattages are calculated using a typical power supply efficiency of 88%; exact wattages may vary based on application.

- L29W** | White 29W LED Light Engine
- L14W** | White 14W LED Light Engine

See last page for finish options

## B - VOLTAGE

- 120-277V | Universal Voltage

## C - LAMP OPTIONS

Delivered lumens shown are at 4000K CCT; apply multiplier for delivered lumens at other CCT.

- 3000K <sup>1</sup> | 3000K CCT
- 3500K <sup>2</sup> | 3500K CCT
- 4000K | 4000K CCT

<sup>1</sup> Apply .95 multiplier for delivered lumens

<sup>2</sup> Apply .97 multiplier for delivered lumens

## D - EMERGENCY

---

EMR | Emergency Battery Remote

## Standard Finishes

---

The colors shown are representative. Their actual appearance may vary due to differences in display settings. You can request color chips by emailing [contact@spilighting.com](mailto:contact@spilighting.com). Please note, finishes may not be available in all configurations.

### Paint Colors

<b>PT01</b> RAL9003 Signal White (Gloss)	<b>PT51</b> Matte White (Textured)	<b>PT02</b> White (Textured)	<b>PT04</b> RAL9001 Cream (Textured)	<b>PT11</b> Black (Textured)
---	---------------------------------------	---------------------------------	---	---------------------------------

### Metallic Paint Colors

<b>PT22</b> Platinum (Metallic Gloss)	<b>PT48</b> Brass (Metallic Textured)	<b>PT28</b> Dark Stainless (Metallic Gloss)	<b>PT49</b> Bronze (Metallic Textured)	<b>PT32</b> Dark Bronze (Metallic Gloss)
<b>PT46</b> Aluminum (Metallic Textured)				

### Brushed Aluminum

<b>BAL</b> Brushed Aluminum
--------------------------------

## Specialty Finishes

---



More RAL®, Pantone®, and custom finishes are available upon request. Setup fee and additional lead time applies. Call factory for details.