

Zynn 1.5" Ring

AIP12376 58.50 in | Direct

JOB NAME:

TYPE:

NOTES:

DESCRIPTION

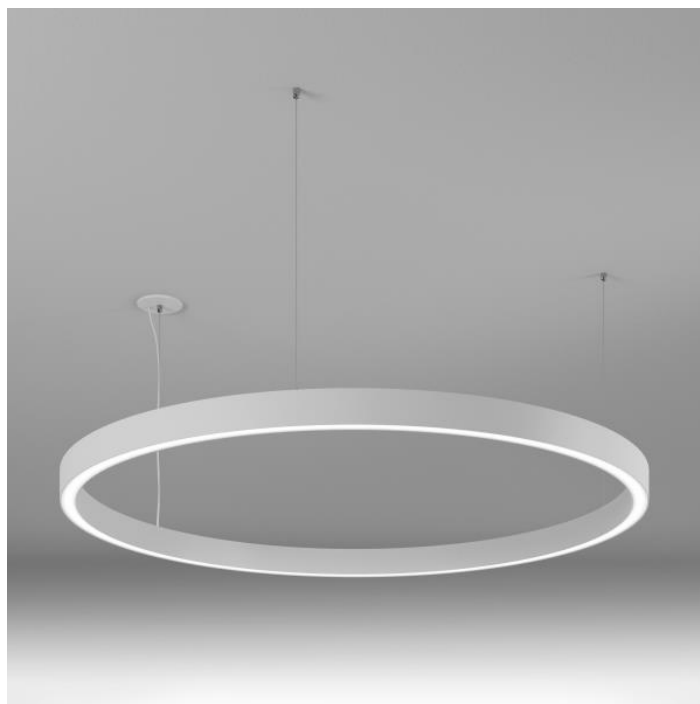
This direct-only version of Zynn 1.5" Ring keeps it simple and budget-friendly with clean lines, reliable performance up to 65 lm/W, and the exceptional quality you expect from SPI Lighting. It balances function with visual comfort in a dependable design tool suitable for any project. Available in a practical range of sizes, from 2' to 5' in diameter.

FEATURES & BENEFITS

- Sleek 1.6" x 3" cross-section
- Seamless housing and lens
- Clean, continuous lines of light with zero pixelation
- Superior fit and finish
- Keep ceilings clean with minimal mounting hardware
- Hidden internal aircraft cable grippers add refinement and eliminate a common visual distraction
- Conveniently adjust the length of the aircraft cables at the fixture instead of the ceiling
- Handcrafted in USA

SPECIFICATIONS

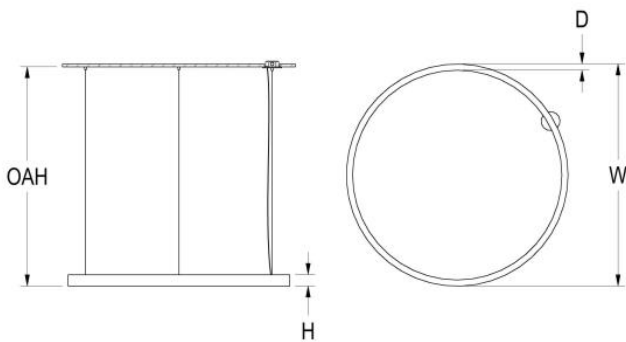
- **LIGHT SOURCE:** White or RGBW LED light engine
- **DISTRIBUTION:** Direct
- **CRI:** 80+ or 90+
- **LUMEN MAINTENANCE:** L80 = >60,000 Hrs.
- **EFFICACY:** Up to 65 lm/W delivered
- **CCT:** 2700K, 3000K, 3500K, 4000K, 5000K (white); 3000K (RGBW)
- **VOLTAGE:** 120-277V standard
- **DRIVER:** Remote Class 2 power supply standard for white light engines. Max distance to the driver (including OAH) is: #18 AWG = 50', #16 AWG = 75', #14 AWG = 100'. RGBW has a remote DMX driver; max distance to the driver is 15' (includes OAH). For extended distances, contact factory.
- **MAX AMBIENT OPERATING TEMP:** 42°C (108°F)
- **DIMMING:** 1% minimum dim level standard for white light



engines, and 0.1% standard for RGBW

- **CONTROLS:** 0-10V standard for white light engines; Lutron Athena, Current NX, and nLight AIR optional. DMX standard for RGBW. Contact factory for other controls (e.g., DALI-2, Enlighted, Encelium, Wattstopper, WaveLinx, or Casambi).
- **EMERGENCY:** Remote battery option is provided with 10W Constant Power Battery back-up, providing 90 Minutes of Emergency operation. Contact factory for other Emergency options.
- **INTEGRATED SURGE PROTECTION:** LED components are protected against minor surge events
- **DIFFUSER:** Matte opal acrylic
- **CONSTRUCTION:** Housing fabricated from 6000 series aluminum extrusion
- **FINISH:** Housing and mounting components finished to match. To specify separately, contact factory. Choose from 26 standard thermoset polyester powder coat paint colors or various metal finishes. RAL®, Pantone®, or custom finishes available upon request.
- **MODIFICATIONS:** Consult factory for all modification requests
- **APPROVALS:** ETL listed to UL standards (US & Canada) for use in damp locations; not recommended for exterior applications

DIMENSIONS



W	H	D	OAH
58.5 in	3 in	1.6 in	54 in
148.6 cm	7.6 cm	4.1 cm	137.2 cm

Mounting Weight

Approximate: 30 lb (14 kg)

CONFIGURATOR

To configure your spec sheet online, go to www.spilighting.com/AIP12376. Not all options are available in all configurations; consult factory for details.

Required Field *

Catalog AIP12376	Light Source*	Primary Finish*	Voltage*	Lamp Options*	CRI*	Controls*	Mounting*	Emergency	Other Than Standard Options
	A		B	C	D	E	F	G	H

A - LIGHT SOURCE *

To ensure color consistency, SPI uses precise bin selection and strict quality processes to maintain a 3-step (MacAdam) SDCM on all white LED lampings. Published LED luminaire wattages are calculated using a typical power supply efficiency of 88%; exact wattages may vary based on application. Alternative wattages available upon request.

- L69W** | White 69W LED Light Engine | Delivered Lumens: 4,492
- L135W** | White 135W LED Light Engine | Delivered Lumens: 8,789
- L135W-C** ¹ | RGBW 135W LED Light Engine | Delivered Lumens: 2,975
- Cust_Out** |

Lumen Calculator: Enter Lumens or Watts if different than displayed

LU Min 4485 - Max 8775

W Min 69.0 - Max 135.0

See last page for finish options

¹ RGBW delivered lumens shown are for white only at 3000K
*For requests outside Min-Max range, please contact factory.

B - VOLTAGE *

- 120-277V | Universal Voltage

C - LAMP OPTIONS *

Apply multiplier from chart for delivered lumens at other CCT's and CRI's.

- 2700K | 2700K CCT
- 3000K | 3000K CCT
- 3500K | 3500K CCT
- 4000K | 4000K CCT
- 5000K | 5000K CCT
- RGBW ² | RGBW 3000K CCT

² Use DMX/DALI programming for alternate color temps; see programming guide

	80 CRI	90 CRI
2700K	1.00	0.84
3000K	1.00	0.84
3500K	1.00	0.84
4000K	1.00	0.84
5000K	1.00	0.84

D - CRI *

- DF_80 | (default)
- 90

E - CONTROLS *

Extended lead times may apply for controls other than 0-10V or DMX. Contact factory for additional control options such as DALI-2, Enlighted, Encelium, Wattstopper, WaveLinx, Casambi, or others.

- DIM1 ³ | 0-10V Control, 1% Dimming
- AWRN ³ | Lutron Athena Wireless Node, 1% Dimming
- NX ³ | Current NX Wireless, 1% Dimming
- NLTA ³ | Acuity nLight Air, 1% Dimming
- DMX ⁴ | DMX Control, 0.1% Dimming

³ Not available with RGBW light source.

⁴ Standard with RGBW light source.

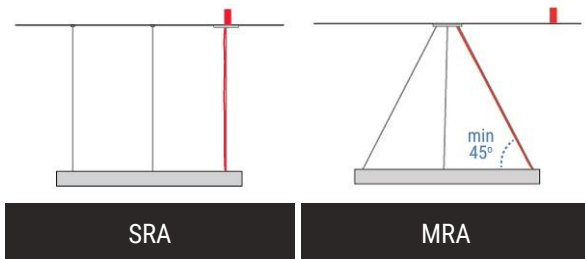
F - MOUNTING *

Mounts to standard 4" octagonal junction box. Field adjustable cables allow fixture to be mounted at an application appropriate height (up to OAH). Contact factory for power supply in canopy options.

- SRA ⁵ | Straight, Remote Power Supply, Aircraft Cables and Power Cord
- MRA ⁶ | 6" Flat Monopoint Canopy & 3 Aircraft Cables with White Power Cord, Remote Drivers

⁵ RGBW light source has 2 power cords

⁶ RGBW light source has 2 power cords. The minimum adjustable cable length is half the diameter of the ring. Cables must be at least 45° to the fixture.



G - EMERGENCY

10W, Constant Power Battery Back-up, with 90 minutes of emergency operation. EMR includes damp location enclosure for Battery back-up.

EMR | Emergency Battery Remote

H - OTHER THAN STANDARD OPTIONS

Specify overall height required from ceiling to the bottom of the fixture.

OAH | Pendant suspension length other than standard

Length:

For Tunable White or RGBW, see Driver section for any exceptions.

Standard Finishes

The colors shown are representative. Their actual appearance may vary due to differences in display settings. You can request color chips by emailing contact@spilighting.com. Please note, finishes may not be available in all configurations.

Paint Colors

PT01 RAL9003 Signal White (Gloss)	PT51 Matte White (Textured)	PT02 White (Textured)	PT04 RAL9001 Cream (Textured)	PT67 RAL7044 Silk Grey (Textured)
PT53 RAL7035 Light Grey (Textured)	PT54 RAL7037 Dusty Grey (Textured)	PT55 RAL7012 Basalt Grey (Textured)	PT56 RAL7016 Anthracite Grey (Textured)	PT11 Black (Textured)
PT57 RAL1015 Light Ivory (Textured)	PT58 RAL8004 Copper Brown (Textured)	PT59 RAL6021 Pale Green (Textured)	PT60 RAL1019 Grey Beige (Textured)	PT61 RAL7006 Beige Grey (Textured)
PT62 RAL1003 Signal Yellow (Textured)	PT63 RAL3001 Signal Red (Textured)	PT64 RAL6001 Emerald Green (Textured)	PT65 RAL5005 Signal Blue (Textured)	PT66 RAL5003 Sapphire Blue (Textured)

Metallic Paint Colors

PT22 Platinum (Metallic Gloss)	PT48 Brass (Metallic Textured)	PT28 Dark Stainless (Metallic Gloss)	PT49 Bronze (Metallic Textured)	PT32 Dark Bronze (Metallic Gloss)
PT46 Aluminum (Metallic Textured)				

Brushed Aluminum

BAL Brushed Aluminum	MAL Microbrushed Aluminum
--------------------------------	-------------------------------------

Specialty Finishes



More RAL®, Pantone®, and custom finishes are available upon request. Setup fee and additional lead time applies. Call factory for details.