

OUTLINES

AIP12482 2.00 in | CROSS

JOB NAME:

TYPE:

NOTES:

DESCRIPTION

CROSS- DIRECT

FEATURES & BENEFITS

- Canopy shape matches fixture shape
- Seamless housing is finished to your specification
- Sleek 2" x 3" profile
- Clean, continuous lines of light with zero pixelation
- Superior fit and finish
- Keep ceilings clean with minimal mounting hardware
- Hidden internal aircraft cable grippers are easy to adjust
- Handcrafted in USA, BABA Compliant

SPECIFICATIONS

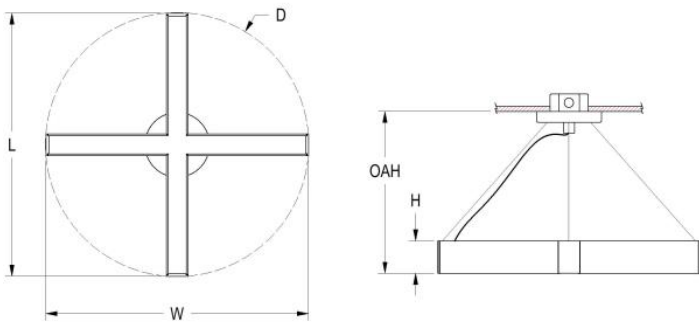
- **LIGHT SOURCE:** White LED light engine
- **DISTRIBUTION:** Direct
- **CRI:** 90+HE
- **LUMEN MAINTENANCE:** TBD
- **EFFICACY:** Estimated 72 lm/w delivered
- **CCT:** 2700K, 3000K, 3500K, 4000K, 5000K
- **VOLTAGE:** 120-277V standard
- **MAX AMBIENT OPERATING TEMP:** TBD
- **DIMMING:** 1% minimum dim level standard
- **CONTROLS:** 0-10V standard. Lutron Athena, Current NX, and nLight AIR optional. Contact factory for other controls (e.g., Enlighted, Encelium, Wattstopper, WaveLinx, or Casambi)
- **EMERGENCY:** Remote battery option is provided with 10W Constant Power Battery back-up, providing 90 Minutes of Emergency operation. Contact factory for other Emergency options.
- **INTEGRATED SURGE PROTECTION:** LED components are protected against minor surge events
- **DIFFUSER:** Seamless matte opal acrylic (bottom). Frosted clear acrylic (top).
- **CONSTRUCTION:** Housing fabricated from 6000 series



aluminum extrusion

- **FINISH:** Housing and mounting components finished to match. To specify separately, contact factory. Choose from 26 standard thermoset polyester powder coat paint colors or various metal finishes. RAL®, Pantone®, or custom finishes available upon request.
- **MODIFICATIONS:** Consult factory for all modification requests, including alternate sizes
- **APPROVALS:** ETL listed to UL standards (US & Canada) for use in damp locations; not recommended for exterior applications

DIMENSIONS



2FT	L	W	H	OAH
	24 in 61 cm	24 in 61 cm	3 in 7.6 cm	48 in 121.9 cm

Mounting Weight: Consult Factory.

3FT	L	W	H	OAH
	36 in 91.4 cm	36 in 91.4 cm	3 in 7.6 cm	48 in 121.9 cm

Mounting Weight: Consult Factory.

4FT	L	W	H	OAH
	48 in 121.9 cm	48 in 121.9 cm	3 in 7.6 cm	48 in 121.9 cm

Mounting Weight: Consult Factory.

CONFIGURATOR

To configure your spec sheet online, go to www.spilighting.com/AIP12482. Not all options are available in all configurations; consult factory for details.

Required Field *

Catalog	Light Source*	Primary Finish*	Voltage*	Lamp Options*	CRI	Controls*	Mounting*	Emergency	Canopy*	Options	Other Than Standard Options
AIP12482											
	A		B	C	D	E	F	G	H	I	J

A - LIGHT SOURCE *

2 FOOT NOMINAL FIXTURE

- DIR-L22W** | White 22W LED Light Engine | Delivered Lumens: 1,584
- DIR-L44W** | White 44W LED Light Engine | Delivered Lumens: 3,168

3 FOOT NOMINAL FIXTURE

- DIR-L34W** | White 34W LED Light Engine | Delivered Lumens: 2,448
- DIR-L69W** | White 69W LED Light Engine | Delivered Lumens: 4,492

4 FOOT NOMINAL FIXTURE

- DIR-L93W** | White 93W LED Light Engine | Delivered Lumens: 6,696
- DIR-L46W** | White 46W LED Light Engine | Delivered Lumens: 3,312

See last page for finish options

B - VOLTAGE *

- 120-277V | Universal Voltage

C - LAMP OPTIONS *

- 2700K | 2700K CCT
- 3000K | 3000K CCT
- 3500K | 3500K CCT
- 4000K | 4000K CCT
- 5000K | 5000K CCT

D - CRI

- 90+HE | 90+ High Efficacy

E - CONTROLS *

- DF_DIM1 | 0-10V Control, 1% Dimming (default)
- AWRN | Lutron Athena Wireless Node, 1% Dimming
- NX | Current NX Wireless, 1% Dimming
- NLTA | Acuity nLight Air, 1% Dimming

F - MOUNTING *

- MIA | Canopy (default)
- SIA | Straight Aircraft Cables and Power Cord, Integral Supply

G - EMERGENCY

- EMR | Emergency Battery Remote

H - CANOPY *

- DF_SRC | Standard 6" Round Canopy
- CMF ¹ | Canopy Matches Fixture Shape

¹ Matched canopy is square, not cross shaped

I - OPTIONS

- BPC | Black Power Cord

J - OTHER THAN STANDARD OPTIONS

OAH | Pendant suspension length other than standard Length:

Standard Finishes

The colors shown are representative. Their actual appearance may vary due to differences in display settings. You can request color chips by emailing contact@spilighting.com. Please note, finishes may not be available in all configurations.

Paint Colors

PT01 RAL9003 Signal White (Gloss)	PT51 Matte White (Textured)	PT02 White (Textured)	PT04 RAL9001 Cream (Textured)	PT67 RAL7044 Silk Grey (Textured)
PT53 RAL7035 Light Grey (Textured)	PT54 RAL7037 Dusty Grey (Textured)	PT55 RAL7012 Basalt Grey (Textured)	PT56 RAL7016 Anthracite Grey (Textured)	PT11 Black (Textured)
PT57 RAL1015 Light Ivory (Textured)	PT58 RAL8004 Copper Brown (Textured)	PT59 RAL6021 Pale Green (Textured)	PT60 RAL1019 Grey Beige (Textured)	PT61 RAL7006 Beige Grey (Textured)
PT62 RAL1003 Signal Yellow (Textured)	PT63 RAL3001 Signal Red (Textured)	PT64 RAL6001 Emerald Green (Textured)	PT65 RAL5005 Signal Blue (Textured)	PT66 RAL5003 Sapphire Blue (Textured)

Metallic Paint Colors

PT22 Platinum (Metallic Gloss)	PT48 Brass (Metallic Textured)	PT28 Dark Stainless (Metallic Gloss)	PT49 Bronze (Metallic Textured)	PT32 Dark Bronze (Metallic Gloss)
PT46 Aluminum (Metallic Textured)				

Specialty Finishes



More RAL®, Pantone®, and custom finishes are available upon request. Setup fee and additional lead time applies. Call factory for details.