

INACTIVE SPEC SHEET

Homestead

AIP8168 27.00 in

SPILIGHTING

PROJECT DETAILS

JOB NAME:

TYPE:

NOTES:

DESCRIPTION

A shallow formed opal acrylic bowl and a 45 degree flared trim ring offer a slightly more contemporary look to the Homestead pendant, making it perfect for retail spaces, contemporary conference areas, and public buildings. Choose from a palette of both painted and metal trim finishes.

FEATURES & BENEFITS

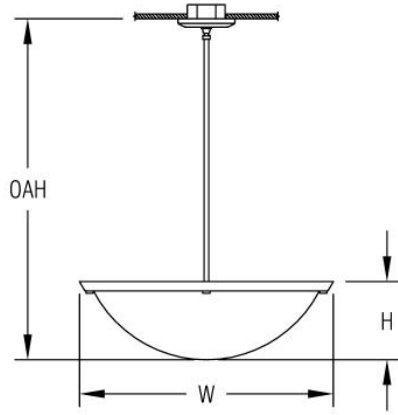
- Opal acrylic diffuser lens enhances a space with filtered illumination.
- Handcrafted in USA

SPECIFICATIONS

- **LIGHT SOURCE:** White LED light engine or incandescent
- **CRI:** 80+ (contact factory for 90+)
- **Lumen Maintenance:** L70 = >50,000 Hrs.
- **CCT:** Available LED color temperatures: 3000K, 3500K, or 4000K
- **DRIVER:** LED versions feature integral Class 2 power supply standard
- **DIMMING:** 0-10V controls standard to 10% on LED light engines
- **EMERGENCY:** Emergency battery remote optional
- **DIFFUSER:** Opal acrylic is standard; matte acrylic and hand painted lenses optional. Any upward facing LEDs will be covered with a protective lens.
- **MODIFICATIONS:** Consult factory for all modification requests
- **APPROVALS:** ETL listed to UL standards (US & Canada) for use in damp locations; not recommended for exterior applications



DIMENSIONS



W 27 in 68.6 cm	H 8 in 20.3 cm	OAH 36 in 91.4 cm
------------------------------	-----------------------------	--------------------------------

Mounting Weight
Approximate: 50 lb (23 kg)

CONFIGURATOR

To configure your spec sheet online, go to www.spilighting.com/AIP8168. Not all options are available in all configurations; consult factory for details.

Required Field *

Catalog AIP8168	Light Source*	Primary Finish*	Voltage*	Lamp Options*	Diffuser*	Mounting*	Bowl Options	Canopy	Options	Other Than Standard Options
							Finish:	Finish:	Finish:	
	A		B	C	D	E	F	G	H	I

A - LIGHT SOURCE *

To ensure color consistency, SPI uses precise bin selection and strict quality processes to maintain a 3-step (MacAdam) SDCM on all white LED lampings. Published LED luminaire wattages are calculated using a typical power supply efficiency of 88%; exact wattages may vary based on application.

- L36W** | White 36W LED Light Engine
- L72W** | White 72W LED Light Engine
- 4N100** ¹ | 4INC100W/A19

See last page for finish options

¹ Incandescent Lamp(s) Not Included

B - VOLTAGE *

- 120-277V** | Universal Voltage
- 120V** ² | 120 Volt

² For incandescent light source only

C - LAMP OPTIONS *

Delivered lumens shown are at 4000K CCT; apply multiplier for delivered lumens at other CCT.

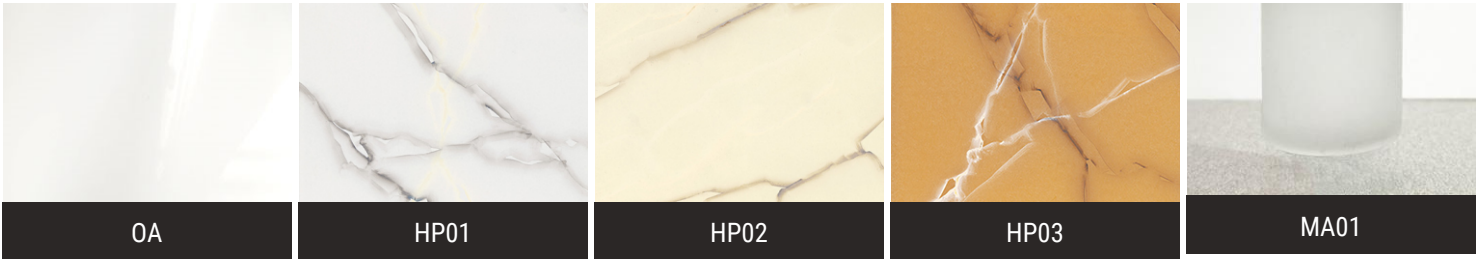
- 3000K ³ | 3000K CCT
- 3500K ⁴ | 3500K CCT
- 4000K | 4000K CCT

³ Apply .95 multiplier for delivered lumens

⁴ Apply .97 multiplier for delivered lumens

D - DIFFUSER *

- DF_OA | Opal Acrylic Diffuser Lens (default)
- HP01 | Silver Hand Painted Acrylic Diffuser
- HP02 | Beige Hand Painted Acrylic Diffuser
- HP03 | Amber Hand Painted Acrylic Diffuser
- MA01 | Matte Acrylic Diffuser Lens



E - MOUNTING *

Mounts to standard 4" octagonal junction box with auxiliary mounting holes. Additional support required (by others).

- DF_STM | Stem Mount (default)

F - BOWL OPTIONS

- FIN | Finial (See last page for finish options)

G - CANOPY

- SAM45 | 45 Degree Swivel (See last page for finish options)

H - OPTIONS

- KA03 | Aircraft Cable Stem Kit to Transition Plate and Canopy (See last page for finish options)



I - OTHER THAN STANDARD OPTIONS

Specify overall height required from ceiling to the bottom of the fixture.

OAH | Pendant suspension length other than standard

Standard Finishes

The colors shown are representative. Their actual appearance may vary due to differences in display settings. You can request color chips by emailing contact@spilighting.com. Please note, finishes may not be available in all configurations.

Paint Colors

PT01 RAL9003 Signal White (Gloss)	PT51 Matte White (Textured)	PT02 White (Textured)	PT04 RAL9001 Cream (Textured)	PT11 Black (Textured)
---	---------------------------------------	---------------------------------	---	---------------------------------

Metallic Paint Colors

PT22 Platinum (Metallic Gloss)	PT48 Brass (Metallic Textured)	PT28 Dark Stainless (Metallic Gloss)	PT49 Bronze (Metallic Textured)	PT32 Dark Bronze (Metallic Gloss)
PT46 Aluminum (Metallic Textured)				

Brushed Aluminum

BAL Brushed Aluminum

Brushed Brass

BBR Brushed Solid Brass

Polished-Tinted Brass

ATBR Antique Tinted Brass	DTBR Dark Tinted Brass	PBR Polished Brass
-------------------------------------	----------------------------------	------------------------------

Polished Plated Brass

CPBR Chrome Plated Polished Brass	SNBR Satin Nickel Plated Brass
---	--

Specialty Finishes



More RAL®, Pantone®, and custom finishes are available upon request. Setup fee and additional lead time applies. Call factory for details.