

# INACTIVE SPEC SHEET

Ontario - Wall

AIW8913 20.50 in

**SPI**LIGHTING

PROJECT DETAILS

JOB NAME:

TYPE:

NOTES:

## DESCRIPTION

The ultra-thin circular housing creates a clean, floating appearance suitable for open office spaces, corridors, conference rooms, and lobbies. Pendants, wall mounts, ADA sconces, and ceiling luminaires are all available within this family. The Ontario family is a versatile lighting alternative for demanding applications.

## FEATURES & BENEFITS

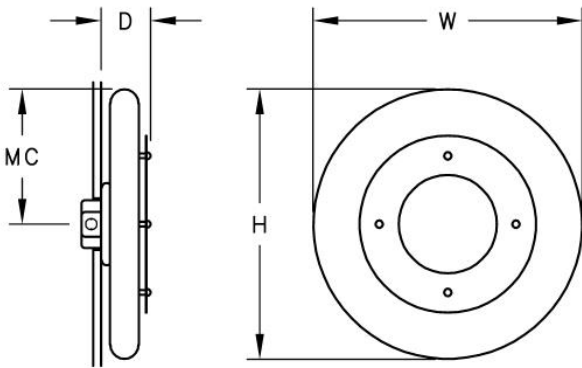
- Frosted acrylic shield enhances a space with diffused illumination
- Spun metal housing adds high-quality, decorative element to fixture
- Compliant with Americans with Disabilities Act (ADA) requirements
- Handcrafted in USA

## SPECIFICATIONS

- **LIGHT SOURCE:** White LED light engine
- **LUMEN MAINTENANCE:** L70 = >50,000 Hrs.
- **CCT:** 3000K, 3500K, or 4000K
- **DRIVER:** Integral Class II power supply standard
- **DIMMING:** 0-10V controls standard on LED light engines
- **EMERGENCY:** Emergency battery remote optional
- **MOUNTING:** Mounts to standard 4" octagonal junction box
- **MODIFICATIONS:** Consult factory for all modification requests
- **APPROVALS:** ETL listed to UL standards (US & Canada) for use in damp locations; not recommended for exterior applications



## DIMENSIONS



<b>W</b>	<b>H</b>	<b>D</b>	<b>MC</b>
20.5 in	20.5 in	3.7 in	10.2 in
52.1 cm	52.1 cm	9.4 cm	25.9 cm

**Mounting Weight**  
Approximate: 25 lb (12 kg)

## CONFIGURATOR

To configure your spec sheet online, go to [www.spilighting.com/AIW8913](http://www.spilighting.com/AIW8913). Not all options are available in all configurations; consult factory for details.

### Required Field \*

Catalog AIW8913	Light Source*	Primary Finish*	Voltage*	Lamp Options*	Lens	Options
	A		B	C	D	E

## A - LIGHT SOURCE \*

To ensure color consistency, SPI uses precise bin selection and strict quality processes to maintain a 3-step (MacAdam) SDCM on all white LED lampings. Published LED luminaire wattages are calculated using a typical power supply efficiency of 88%; exact wattages may vary based on application.

- L29W** | White 29W LED Light Engine
- L14W** | White 14W LED Light Engine

See last page for finish options

## B - VOLTAGE \*

- 120-277V | Universal Voltage

## C - LAMP OPTIONS \*

Delivered lumens shown are at 4000K CCT; apply multiplier for delivered lumens at other CCT.

- 3000K <sup>1</sup> | 3000K CCT
- 3500K <sup>2</sup> | 3500K CCT
- 4000K | 4000K CCT

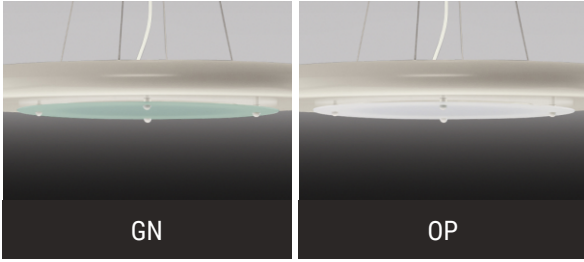
<sup>1</sup> Apply .95 multiplier for delivered lumens

<sup>2</sup> Apply .97 multiplier for delivered lumens

## D - LENS

---

- GN | Green Tint Clear Acrylic
- OP | Flat Opal Disk



## E - OPTIONS

---

- F | Fusing

## Standard Finishes

---

The colors shown are representative. Their actual appearance may vary due to differences in display settings. You can request color chips by emailing [contact@spilighting.com](mailto:contact@spilighting.com). Please note, finishes may not be available in all configurations.

### Paint Colors

<b>PT01</b> RAL9003 Signal White (Gloss)	<b>PT51</b> Matte White (Textured)	<b>PT02</b> White (Textured)	<b>PT04</b> RAL9001 Cream (Textured)	<b>PT11</b> Black (Textured)
---	---------------------------------------	---------------------------------	---	---------------------------------

### Metallic Paint Colors

<b>PT22</b> Platinum (Metallic Gloss)	<b>PT48</b> Brass (Metallic Textured)	<b>PT28</b> Dark Stainless (Metallic Gloss)	<b>PT49</b> Bronze (Metallic Textured)	<b>PT32</b> Dark Bronze (Metallic Gloss)
<b>PT46</b> Aluminum (Metallic Textured)				

## Specialty Finishes

---



More RAL®, Pantone®, and custom finishes are available upon request. Setup fee and additional lead time applies. Call factory for details.