

INACTIVE SPEC SHEET

Ontario - Wall

AIW8915 29.00 in

SPILIGHTING

PROJECT DETAILS

JOB NAME:

TYPE:

NOTES:

DESCRIPTION

The ultra-thin circular housing creates a clean, floating appearance suitable for open office spaces, corridors, conference rooms, and lobbies. Pendants, wall mounts, ADA sconces, and ceiling luminaires are all available within this family. The Ontario family is a versatile lighting alternative for demanding applications.

FEATURES & BENEFITS

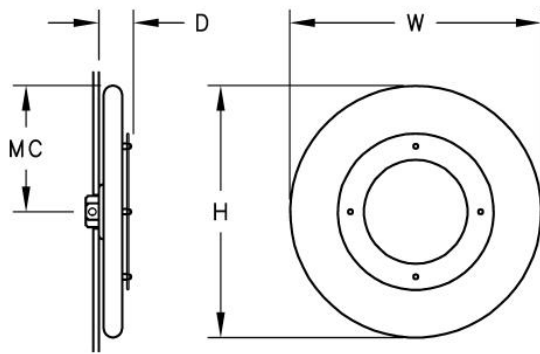
- Frosted acrylic shield enhances a space with diffused illumination
- Spun metal housing adds high-quality, decorative element to fixture
- Compliant with Americans with Disabilities Act (ADA) requirements
- Handcrafted in USA

SPECIFICATIONS

- **LIGHT SOURCE:** White LED light engine
- **LUMEN MAINTENANCE:** L70 = >50,000 Hrs.
- **CCT:** 3000K, 3500K, or 4000K
- **DRIVER:** Integral Class II power supply standard
- **DIMMING:** 0-10V controls standard on LED light engines
- **EMERGENCY:** Emergency battery remote optional
- **MOUNTING:** Mounts to standard 4" octagonal junction box
- **MODIFICATIONS:** Consult factory for all modification requests
- **APPROVALS:** ETL listed to UL standards (US & Canada) for use in damp locations; not recommended for exterior applications



DIMENSIONS



W	H	D	MC
29 in	29 in	3.7 in	14.5 in
73.7 cm	73.7 cm	9.4 cm	36.8 cm

Mounting Weight
Approximate: 50 lb (23 kg)

CONFIGURATOR

To configure your spec sheet online, go to www.spilighting.com/AIW8915. Not all options are available in all configurations; consult factory for details.

Required Field *

Catalog AIW8915	Light Source*	Primary Finish*	Voltage*	Lamp Options*	Lens	Options
	A		B	C	D	E

A - LIGHT SOURCE *

To ensure color consistency, SPI uses precise bin selection and strict quality processes to maintain a 3-step (MacAdam) SDCM on all white LED lampings. Published LED luminaire wattages are calculated using a typical power supply efficiency of 88%; exact wattages may vary based on application.

- L29W** | White 29W LED Light Engine
- L14W** | White 14W LED Light Engine

See last page for finish options

B - VOLTAGE *

- 120-277V | Universal Voltage

C - LAMP OPTIONS *

Delivered lumens shown are at 4000K CCT; apply multiplier for delivered lumens at other CCT.

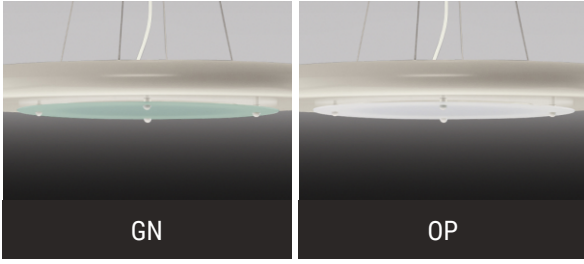
- 3000K ¹ | 3000K CCT
- 3500K ² | 3500K CCT
- 4000K | 4000K CCT

¹ Apply .95 multiplier for delivered lumens

² Apply .97 multiplier for delivered lumens

D - LENS

- GN | Green Tint Clear Acrylic
- OP | Flat Opal Disk



E - OPTIONS

- F | Fusing

Standard Finishes

The colors shown are representative. Their actual appearance may vary due to differences in display settings. You can request color chips by emailing contact@spilighting.com. Please note, finishes may not be available in all configurations.

Paint Colors

PT01 RAL9003 Signal White (Gloss)	PT51 Matte White (Textured)	PT02 White (Textured)	PT04 RAL9001 Cream (Textured)	PT11 Black (Textured)
---	---------------------------------------	---------------------------------	---	---------------------------------

Metallic Paint Colors

PT22 Platinum (Metallic Gloss)	PT48 Brass (Metallic Textured)	PT28 Dark Stainless (Metallic Gloss)	PT49 Bronze (Metallic Textured)	PT32 Dark Bronze (Metallic Gloss)
PT46 Aluminum (Metallic Textured)				

Specialty Finishes



More RAL®, Pantone®, and custom finishes are available upon request. Setup fee and additional lead time applies. Call factory for details.