

Novato Lines + Arcs

CPS12153 5 in

JOB NAME:

TYPE:

NOTES:

DESCRIPTION

This power drop kit is specifically designed for the Novato Lines + Arcs system. It includes the canopy and cord.

FEATURES & BENEFITS

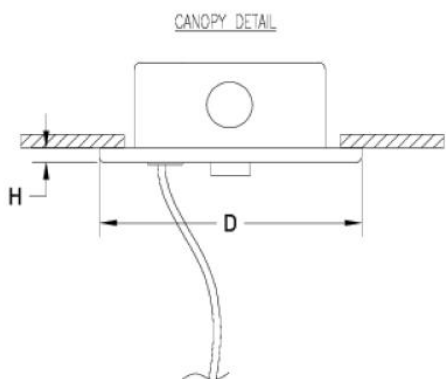
- One power drop required for every circuit

SPECIFICATIONS

- **VOLTAGE:** 120-277V standard
- **POWER CORD:** White power cord supplied compatible with Novato Lines + Arcs luminaires.
- **FINISH:** Canopy is painted Super White (PT01); contact factory for alternate finishes
- **MOUNTING:** Mounts to a standard 4" octagonal junction box; aircraft ceiling coupler (supplied with Novato unit) can be connected to the power drop canopy to gain flexibility in mounting
- **APPROVALS:** ETL listed to UL standards (US & Canada) for use in damp locations; not recommended for exterior applications



DIMENSIONS



H	D	OAH
0.3 in	5 in	48 in
0.8 cm	12.7 cm	121.9 cm

Mounting Weight
Consult Factory.

CONFIGURATOR

To configure your spec sheet online, go to www.spilighting.com/CPS12153. Not all options are available in all configurations; consult factory for details.

Required Field *

Catalog CPS12153	Light Source*	Voltage*	Other Than Standard Options
	A	B	C

A - LIGHT SOURCE *

CPC - CC | Canopy and Power Drop Kit

B - VOLTAGE *

120-277V | Universal Voltage

C - OTHER THAN STANDARD OPTIONS

OAH | Pendant suspension length other than standard Length: