

INACTIVE SPEC SHEET

Echo Round 9.0 LED - Pendant

EIP12063 15.10 in

SPILIGHTING

PROJECT DETAILS

JOB NAME:

TYPE:

NOTES:

DESCRIPTION

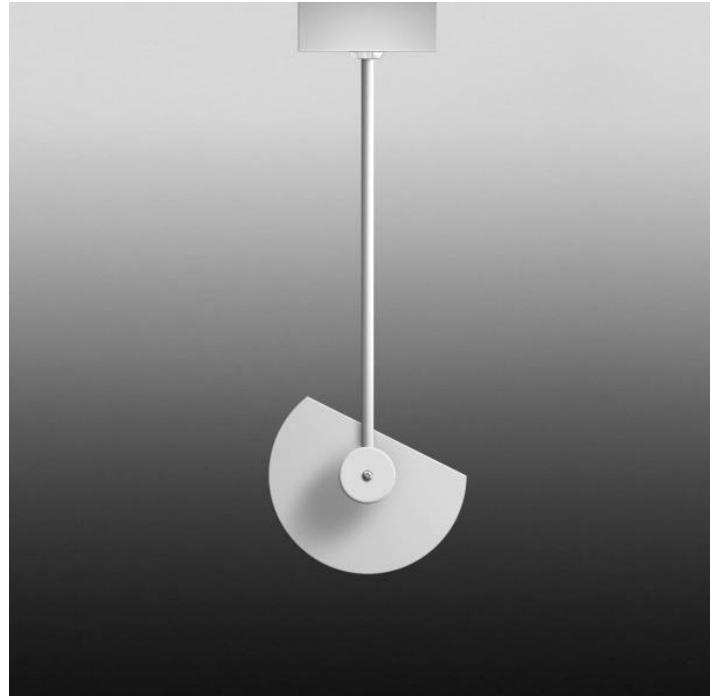
Echo Round 9.0 LED is designed to address large, high-ceiling spaces such as atriums, gymnasiums, natatoriums, recreation pools, libraries, and open offices. It delivers premium indirect lighting with a smooth, uniform, forward throw output. Echo Round 9.0 LED is designed with a solid aluminum housing, encompassing the latest technology in a traditional shape to seamlessly integrate into the space. For a complimentary lighting layout, contact our applications team at SPIteam@spilighting.com.

FEATURES & BENEFITS

- Standard top lens corrects color-over-angle discoloration, delivering a clean white beam suitable for highly-finished ceilings and walls
- IP68 light engines, connectors, and fully potted drivers stand up to harsh natatorium environments
- All visible fasteners are flush mounted, providing a clean design
- Field adjustable housing locks into position, enabling precise fixture alignment for high-quality design performance
- Handcrafted in USA

SPECIFICATIONS

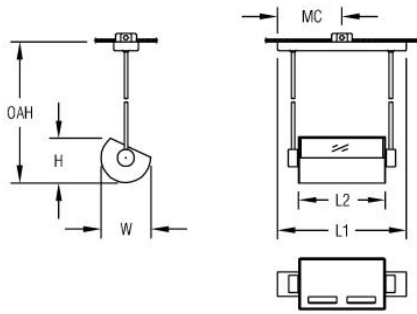
- **LIGHT SOURCE:** White LED light engine
- **ORIENTATION:** For indirect use only
- **CRI:** 80+
- **LUMEN MAINTENANCE:** L70 = >50,000 Hrs.
- **EFFICACY:** Up to 99 lm/W delivered
- **MAX AMBIENT OPERATING TEMP:** 28°C (82°F)
- **CCT:** 3500K or 4000K
- **VOLTAGE:** 120-277V standard
- **DRIVER:** Fully potted integral Class 1 power supply standard
- **DIMMING:** 0-10V dimmable power supply standard
- **CONTROLS:** Contact factory for control options (e.g., Lutron Athena, Current NX, nLight, Enlighted, Encelium, Wattstopper, WaveLinx, or Casambi).
- **CONSTRUCTION:** Extruded aluminum construction provides durable protection for internal components and is recyclable;



cast aluminum end caps protect internal components and are recyclable

- **FINISH:** Housing and mounting components finished to match. To specify separately, contact factory. Choose from 26 standard thermoset polyester powder coat paint colors. RAL®, Pantone®, or custom finishes available upon request.
- **MODIFICATIONS:** Consult factory for all modification requests
- **APPROVALS:** ETL listed to UL standards (US and Canada) for use in damp locations; not recommended for exterior applications

DIMENSIONS



W	L1	L2	H	OAH	MC
8.9 in 22.6 cm	22.5 in 57.2 cm	15.1 in 38.4 cm	7.8 in 19.8 cm	80 in 203.2 cm	11.3 in 28.7 cm

Mounting Weight
Approximate: 15 lb (7 kg)

CONFIGURATOR

To configure your spec sheet online, go to www.spilighting.com/EIP12063. Not all options are available in all configurations; consult factory for details.

Required Field *

Catalog EIP12063	Light Source*	Primary Finish*	Voltage*	Lamp Options*	Mounting*	Accessories	Options	Other Than Standard Options
	A		B	C	D	E	F	G

A - LIGHT SOURCE *

To ensure color consistency, SPI uses precise bin selection and strict quality processes to maintain a 3-step (MacAdam) SDCM on all white LED lampings. Published LED luminaire wattages are calculated using a typical power supply efficiency of 88%; exact wattages may vary based on application.

L127W | White 127W LED Light Engine

See last page for finish options

B - VOLTAGE *

120-277V | Universal Voltage

C - LAMP OPTIONS *

Delivered lumens shown are at 4000K CCT; apply multiplier for delivered lumens at other CCT.

3500K ¹ | 3500K CCT

4000K | 4000K CCT

¹ Apply .91 multiplier for delivered lumens

D - MOUNTING *

Mounts to standard 4" octagonal junction box with auxiliary mounting holes. 22.5" long canopy.

DF_STM | Stem Mount (default)

E - ACCESSORIES

Cut-Off Shield painted to match housing.

CS | Cut-Off Shield



F - OPTIONS

F | Fusing

G - OTHER THAN STANDARD OPTIONS

Specify overall height required from ceiling to the bottom of the fixture. The OAH min/max range is determined only by the physical limitations of the luminaire. Appropriate mounting heights are separately calculated from photometric lighting layouts and recommended from the specifier. If the specified mounting height is outside of the OAH range, please contact the factory.

OAH | Pendant suspension length other than standard

Standard Finishes

The colors shown are representative. Their actual appearance may vary due to differences in display settings. You can request color chips by emailing contact@spilighting.com. Please note, finishes may not be available in all configurations.

Paint Colors

PT01 RAL9003 Signal White (Gloss)	PT51 Matte White (Textured)	PT02 White (Textured)	PT04 RAL9001 Cream (Textured)	PT11 Black (Textured)
---	---------------------------------------	---------------------------------	---	---------------------------------

Metallic Paint Colors

PT22 Platinum (Metallic Gloss)	PT48 Brass (Metallic Textured)	PT28 Dark Stainless (Metallic Gloss)	PT49 Bronze (Metallic Textured)	PT32 Dark Bronze (Metallic Gloss)
PT46 Aluminum (Metallic Textured)				

Specialty Finishes



More RAL®, Pantone®, and custom finishes are available upon request. Setup fee and additional lead time applies. Call factory for details.