

INACTIVE SPEC SHEET

Brace Exterior - Remote

SEW10347 36.60 in

JOB NAME:

TYPE:

NOTES:

DESCRIPTION

Sleek and modern, Brace provides the clean appearance desired by today's architects and designers. It delivers maximized light output, as well as creates an inviting and comfortable space utilizing efficient T5 and T5HOs. UL listed for wet locations, this wall-mounted fixture offers remote ballasts and various shielding options. Available in two distinct looks, this sleek luminaire presents versions satisfying ADA requirements. It has the ability to add the finishing touch to modern lighting designs.

FEATURES & BENEFITS

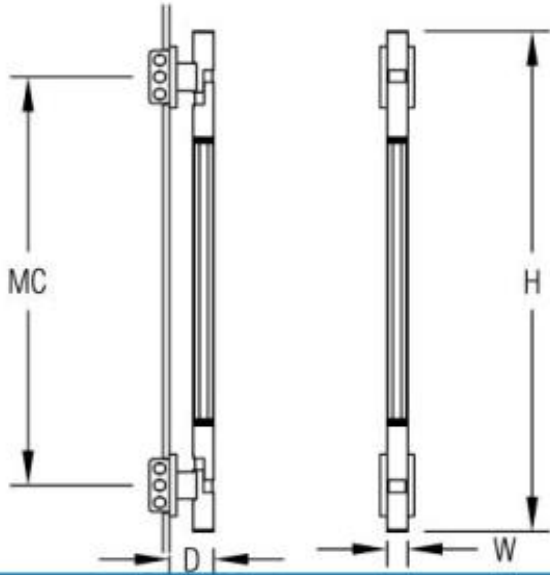
- Extruded frosted acrylic tube with aluminum end caps maximizes output and creates uniform illumination
- Versatile design allows fixture to be mounted in any orientation
- Compliant with Americans with Disabilities Act (ADA) requirements
- Handcrafted in USA

SPECIFICATIONS

- **LIGHT SOURCE:** Fluorescent
- **BALLAST:** Remote electronic ballast utilizes the latest energy-saving technology to maintain consistent color temperature, CRI and lumen maintenance, while allowing for consolidation of ballasts. Class "A" sound rated ballast for use in low ambient noise applications. Meets NEC 410.73 double-ended, fluorescent lamp ballast disconnect requirements.
- **TEMPERATURE:** Thermally protected ballast limits operating temperature
- **FINISH:** Housing and mounting components finished to match. To specify separately, contact factory. Choose from 26 standard thermoset polyester powder coat paint colors or anodized finishes. RAL®, Pantone®, or custom finishes available upon request.
- **MODIFICATIONS:** Consult factory for all modification requests
- **APPROVALS:** ETL listed to UL standards (US and Canada) for use in wet locations



DIMENSIONS



W	H	D	MC
1.5 in	36.6 in	3.2 in	29.8 in
3.8 cm	93 cm	8.1 cm	75.7 cm

Mounting Weight
Approximate: 25 lb (12 kg)

CONFIGURATOR

To configure your spec sheet online, go to www.spilighting.com/SEW10347. Not all options are available in all configurations; consult factory for details.

Required Field *

Catalog SEW10347	Light Source*	Primary Finish*	Voltage*	Mounting*	Shield Options	Options
						Finish: []
	A		B	C	D	E

A - LIGHT SOURCE *

1F14¹ | 1F14WT5/Mini Bipin

1F24¹ | 1F24WT5H0/Mini Bipin

See last page for finish options

¹ T5 & T8 Fluorescent Linear Lamp(s) Not Included

B - VOLTAGE *

120V | 120 Volt

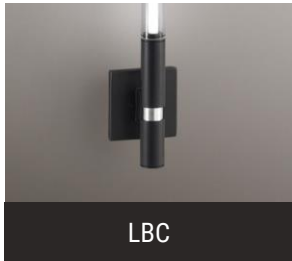
277V | 277 Volt

C - MOUNTING *

Choose a mounting from below:

DF_SBC | 2.5" x 4.4" Switch-box cover (default)

LBC | 4.4" x 4.4" J-Box Cover

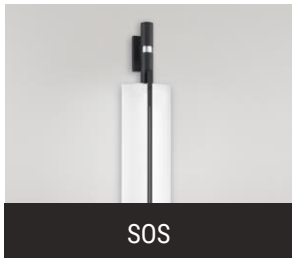


D - SHIELD OPTIONS

SOS | Symmetric Opal Shield

SPS | Symmetric Perforated Shield

SSR | Symmetric Solid Reflector



E - OPTIONS

AOS | Asymmetric Opal Shield

APS | Asymmetric Perforated Screen

ASR | Asymmetric Solid Reflector (See last page for finish options)

CT | Cut-Off Tube (See last page for finish options)



AOS



APS



ASR



CT

Standard Finishes

The colors shown are representative. Their actual appearance may vary due to differences in display settings. You can request color chips by emailing contact@spilighting.com. Please note, finishes may not be available in all configurations.

Paint Colors

PT01 RAL9003 Signal White (Gloss)	PT51 Matte White (Textured)	PT02 White (Textured)	PT04 RAL9001 Cream (Textured)	PT11 Black (Textured)
---	---------------------------------------	---------------------------------	---	---------------------------------

Anodized

AN01 Anodized Satin	AN11 Black Matte Anodized Aluminum
-------------------------------	--

Metallic Paint Colors

PT22 Platinum (Metallic Gloss)	PT48 Brass (Metallic Textured)	PT28 Dark Stainless (Metallic Gloss)	PT49 Bronze (Metallic Textured)	PT32 Dark Bronze (Metallic Gloss)
PT46 Aluminum (Metallic Textured)				

Specialty Finishes



More RAL®, Pantone®, and custom finishes are available upon request. Setup fee and additional lead time applies. Call factory for details.