

# INACTIVE SPEC SHEET

## Brace Exterior - Integral

SEW10359 60.20 in

**SPI**LIGHTING

PROJECT DETAILS

JOB NAME:

TYPE:

NOTES:

### DESCRIPTION

Sleek and modern, Brace provides the clean appearance desired by today's architects and designers. It delivers maximized light output, as well as creates an inviting and comfortable space utilizing efficient T5 and T5HOs. UL listed for wet locations, this wall-mounted fixture offers integral ballasts and various shielding options. Available in two distinct looks, this sleek luminaire presents versions satisfying ADA requirements. It has the ability to add the finishing touch to modern lighting designs.

### FEATURES & BENEFITS

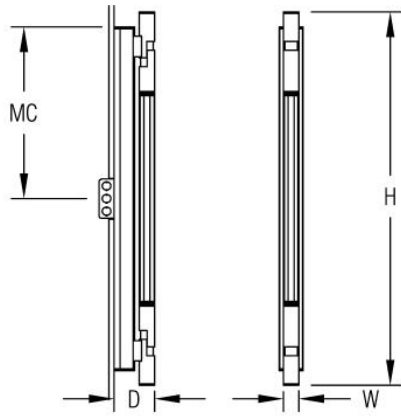
- Extruded frosted acrylic tube with aluminum end caps maximizes output and creates uniform illumination
- Versatile design allows fixture to be mounted in any orientation
- Compliant with Americans with Disabilities Act (ADA) requirements
- Handcrafted in USA

### SPECIFICATIONS

- **LIGHT SOURCE:** Fluorescent
- **BALLAST:** Integral electronic fluorescent ballast utilizes the latest energy-saving technology to maintain consistent color temperature, CRI and lumen maintenance, while eliminating the need for remote mounting and simplifying installation. Class "A" sound rated ballast for use in low ambient noise applications. Meets NEC 410.73 double-ended, fluorescent lamp ballast disconnect requirements.
- **TEMPERATURE:** Thermally protected ballast limits operating temperature
- **FINISH:** Housing and mounting components finished to match. To specify separately, contact factory. Choose from 26 standard thermoset polyester powder coat paint colors or anodized finishes. RAL®, Pantone®, or custom finishes available upon request.
- **MODIFICATIONS:** Consult factory for all modification requests
- **APPROVALS:** ETL listed to UL standards (US and Canada) for use in wet locations



## DIMENSIONS



<b>W</b>	<b>H</b>	<b>D</b>	<b>MC</b>
1.5 in	60.2 in	4 in	28.6 in
3.8 cm	152.9 cm	10.2 cm	72.6 cm

**Mounting Weight**  
Approximate: 25 lb (12 kg)

## CONFIGURATOR

To configure your spec sheet online, go to [www.spilighting.com/SEW10359](http://www.spilighting.com/SEW10359). Not all options are available in all configurations; consult factory for details.

### Required Field \*

Catalog SEW10359	Light Source*	Primary Finish*	Voltage*	Mounting*	Shield Options	Options
						Finish:
	A		B	C	D	E

### A - LIGHT SOURCE \*

- 1F28**<sup>1</sup> | 1F28WT5/Mini Bipin
- 1F54**<sup>1</sup> | 1F54WT5H0/Mini Bipin

See last page for finish options

<sup>1</sup> T5 & T8 Fluorescent Linear Lamp(s) Not Included

### B - VOLTAGE \*

- 120V** | 120 Volt
- 277V** | 277 Volt

### C - MOUNTING \*

Additional support required (by others). Choose a mounting from below:

- DF\_SBC** | Switch-box cover (default)
- LBC** | 4.5" x 12.0" J-Box Cover



LBC

## D - SHIELD OPTIONS

---

- SOS | Symmetric Opal Shield
- SPS | Symmetric Perforated Shield
- SSR | Symmetric Solid Reflector



SOS

## E - OPTIONS

---

- AOS | Asymmetric Opal Shield
- APS | Asymmetric Perforated Screen
- ASR | Asymmetric Solid Reflector (See last page for finish options)
- CT | Cut-Off Tube (See last page for finish options)



CT

## Standard Finishes

---

The colors shown are representative. Their actual appearance may vary due to differences in display settings. You can request color chips by emailing [contact@spilighting.com](mailto:contact@spilighting.com). Please note, finishes may not be available in all configurations.

### Paint Colors

<b>PT01</b> RAL9003 Signal White (Gloss)	<b>PT51</b> Matte White (Textured)	<b>PT02</b> White (Textured)	<b>PT04</b> RAL9001 Cream (Textured)	<b>PT11</b> Black (Textured)
---	---------------------------------------	---------------------------------	---	---------------------------------

### Anodized

<b>AN01</b> Anodized Satin	<b>AN11</b> Black Matte Anodized Aluminum
-------------------------------	--

### Metallic Paint Colors

<b>PT22</b> Platinum (Metallic Gloss)	<b>PT48</b> Brass (Metallic Textured)	<b>PT28</b> Dark Stainless (Metallic Gloss)	<b>PT49</b> Bronze (Metallic Textured)	<b>PT32</b> Dark Bronze (Metallic Gloss)
<b>PT46</b> Aluminum (Metallic Textured)				

## Specialty Finishes

---



More RAL®, Pantone®, and custom finishes are available upon request. Setup fee and additional lead time applies. Call factory for details.