

Pavo Sleek Arrays

SIP12411 1.50 in

JOB NAME:

TYPE:

NOTES:

DESCRIPTION

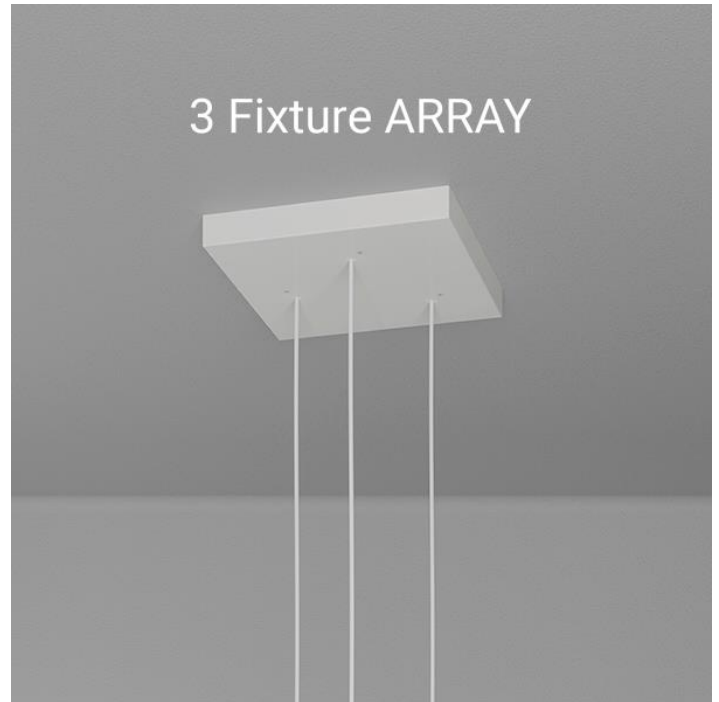
Pavo Sleek stands in a league of its own with a myriad of housing and lens lengths to choose from (five of each, to be exact). This unrivaled versatility makes it a perfect fit for any decor style and space, be it a cozy restaurant or an airy modern office. With more options than ever before, Pavo Sleek is your canvas to create a lighting experience that truly reflects your individuality.

3 FIXTURE ARRAY

- Sleek 1.5" diameter cylinders
- Choose your housing and lens lengths to create the perfect fixture for all your spaces
- Aluminum housings can be finished in vibrant colors or sophisticated metals
- Choose from clear or matte lens materials
- Handcrafted in the USA

SPECIFICATIONS

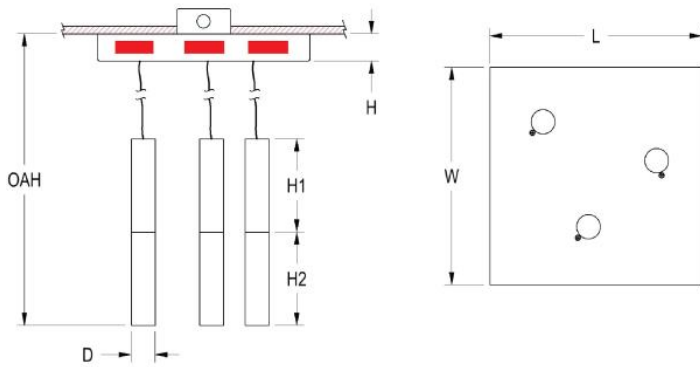
- **LIGHT SOURCE:** White LED Light Engine
- **CRI:** 90+HE
- **LUMEN MAINTENANCE:** L80 = >55,000 Hrs.
- **EFFICACY:** up to 61 lm/W delivered
- **CCT:** 2700K, 3000K, 3500K, 4000K, or 5000K
- **VOLTAGE:** 120-277V standard
- **DRIVER:** Class 2 power supply integrated in canopy standard; remote optional. Max distance to the driver (including OAH) is: #18AWG = 50', #16AWG = 75', #14AWG = 100'. For extended distances, contact factory
- **DIMMING:** 1% minimum dim level standard
- **CONTROLS:** 0-10V standard. Lutron Athena, Current NX, and nLight AIR optional. Contact factory for other controls (e.g., Enlighted, Encelium, Wattstopper, WaveLinx, or Casambi)
- **EMERGENCY:** Remote battery option is provided with 10W Constant Power Battery back-up, providing 90 minutes of emergency operation. Contact factory for other emergency options.
- **INTEGRATED SURGE PROTECTION:** LED components are protected against minor surge events
- **DIFFUSER:** Clear acrylic diffuser standard; matte acrylic diffuser available for



some lens sizes

- **CONSTRUCTION:** Extruded and machined aluminum housing, heat sink, and mounting point.
- **FINISH:** Brushed Aluminum, or choose from 26 standard thermoset polyester powder coat paint colors for housing components. Canopy components painted to match housing. RAL®, Pantone®, various metal finishes, or other custom finishes available upon request.
- **MODIFICATIONS:** Consult factory for all modification requests; including different sizes
- **APPROVALS:** ETL listing to UL standards (US & Canada) for use in damp locations; not recommended for exterior applications.

DIMENSIONS



W	H	D	OAH	L
14 in	1.8 in	1.5 in	72 in	14 in
35.6 cm	4.4 cm	3.8 cm	182.9 cm	35.6 cm

Mounting Weight
Consult Factory.

CONFIGURATOR

To configure your spec sheet online, go to www.spilighting.com/SIP12411. Not all options are available in all configurations; consult factory for details.

Required Field *

Catalog	Light Source*	Primary Finish*	Voltage	Lamp Options*	CRI	Controls	Housing Height*	Lens Height*	Diffuser	Mounting*	Emergency	Options
SIP12411												
	A		B	C	D	E	F	G	H	I	J	K
Other Than Standard Options	Paint Colors											
L	M											

A - LIGHT SOURCE *

To ensure color consistency, SPI uses precise bin selection and strict quality processes to maintain a 3-step (MacAdam) SDCM on all white LED lampings. Published LED luminaire wattages are calculated using a typical power supply efficiency of 88%; exact wattages may vary based on application. Alternative wattages available upon request.

L10W | White 10W LED Light Engine | Delivered Lumens: 1,845

L15W¹ | White 15W LED Light Engine | Delivered Lumens: 2,766

See last page for finish options

¹ High wattage option only available on Housing Lengths 12" or longer.

B - VOLTAGE

DF_120-277V | Universal Voltage

C - LAMP OPTIONS *

2700K | 2700K CCT

3000K | 3000K CCT

3500K | 3500K CCT

4000K | 4000K CCT

5000K | 5000K CCT

D - CRI

DF_80 | (default)

90

E - CONTROLS

Extended lead times may apply for controls other than 0-10V. Contact factory for additional control options such as Enlighted, Encelium, Wattstopper, WaveLinx, Casambi, or others.

DF_DIM1 | 0-10V Control, 1% Dimming (default)

F - HOUSING HEIGHT *

Select your housing length (H1).

4IN-H1 | 4" Housing

6IN-H1 | 6" Housing

12IN-H1 | 12" Housing

18IN-H1 | 18" Housing

24IN-H1² | 24" Housing

² This option may be subject to extended lead times.

G - LENS HEIGHT *

Select your lens length (H2). The clustered configurations can only be specified as standard with all cylinders having the same H1 and the same H2 lengths within the cluster. They can be specified as a modified product to have different H1 and different H2 lengths within one cluster. Select your lens length (H2).

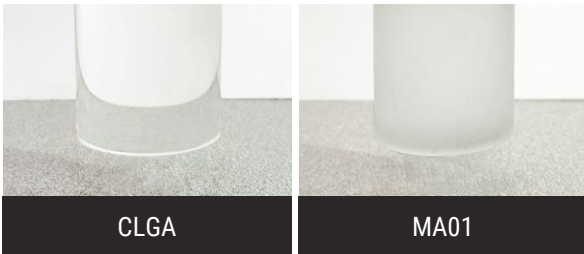
- 2IN-H2³ | 2" Lens
- 6IN-H2³ | 6" Lens
- 12IN-H2 | 12" Lens
- 18IN-H2 | 18" Lens
- 24IN-H2 | 24" Lens

³ Matte lens option only available with 2" & 6" lens heights.

H - DIFFUSER

- DF_CLGA | Clear Light Guiding Acrylic Diffuser Lens (default)
- MA01⁴ | Matte Acrylic Diffuser Lens

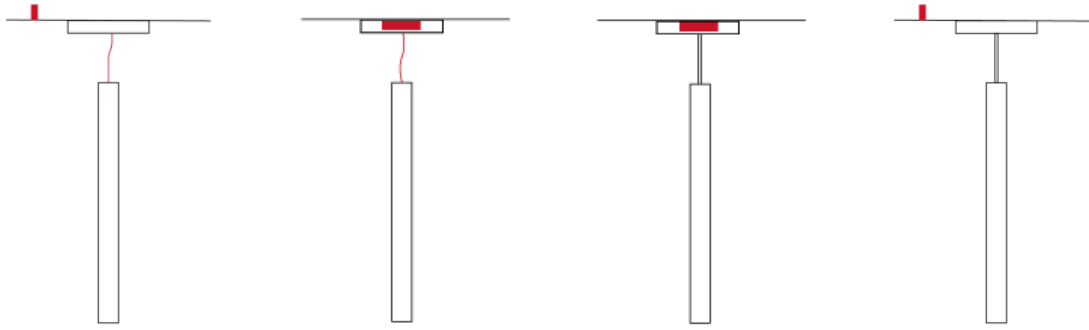
⁴ Matte Finish Only Available on 2" and 6" lenses.



I - MOUNTING *

Mounts to a standard 4" octagonal junction box. The PSC and CAC mountings utilize a white power cord. The CAS mounting has a 22.5° swivel and the PSS mounting swivels 45°.

- CAC | Power Cord Suspension with Remote Power Supply & Canopy
- PSC | Power Supply Canopy with Cord Suspension (default)
- PSS | Power Supply Canopy & Stem
- CAS | Canopy & Stem, Remote Supply



CAC

PSC

PSS

CAS

J - EMERGENCY

EMR | Emergency Battery Remote

K - OPTIONS

BPC⁵ | Black Power Cord

⁵ Not available with PSS & CAS options.

L - OTHER THAN STANDARD OPTIONS

Specify overall height required from ceiling to bottom of fixture. For array fixtures at varying heights, please call factory.

OAH | Pendant suspension length other than standard Length:

Standard Finishes

The colors shown are representative. Their actual appearance may vary due to differences in display settings. You can request color chips by emailing contact@spilighting.com. Please note, finishes may not be available in all configurations.

Paint Colors

PT01 RAL9003 Signal White (Gloss)	PT51 Matte White (Textured)	PT02 White (Textured)	PT04 RAL9001 Cream (Textured)	PT67 RAL7044 Silk Grey (Textured)
PT53 RAL7035 Light Grey (Textured)	PT54 RAL7037 Dusty Grey (Textured)	PT55 RAL7012 Basalt Grey (Textured)	PT56 RAL7016 Anthracite Grey (Textured)	PT11 Black (Textured)
PT57 RAL1015 Light Ivory (Textured)	PT58 RAL8004 Copper Brown (Textured)	PT59 RAL6021 Pale Green (Textured)	PT60 RAL1019 Grey Beige (Textured)	PT61 RAL7006 Beige Grey (Textured)
PT62 RAL1003 Signal Yellow (Textured)	PT63 RAL3001 Signal Red (Textured)	PT64 RAL6001 Emerald Green (Textured)	PT65 RAL5005 Signal Blue (Textured)	PT66 RAL5003 Sapphire Blue (Textured)

Metallic Paint Colors

PT22 Platinum (Metallic Gloss)	PT48 Brass (Metallic Textured)	PT28 Dark Stainless (Metallic Gloss)	PT49 Bronze (Metallic Textured)	PT32 Dark Bronze (Metallic Gloss)
PT46 Aluminum (Metallic Textured)				

Polished Aluminum

PAL Polished Aluminum

Brushed Aluminum

BAL Brushed Aluminum	MAL Microbrushed Aluminum
--------------------------------	-------------------------------------

Specialty Finishes



More RAL®, Pantone®, and custom finishes are available upon request. Setup fee and additional lead time applies. Call factory for details.