

# INACTIVE SPEC SHEET

## Pictor - Wall

SIW11033 27.00 in

JOB NAME:

TYPE:

NOTES:

### DESCRIPTION

Inspired by the drive to push the lighting design barrier, Stile delivers modern components creating a base upon which unique lighting designs can develop. Pictor's contemporary sconces accent a space with a European feel. Sleek luminaires with a minimal 2.4" projection, Pictor utilizes efficient fluorescent sources, provides functional lighting and features shielding options. Complementing Pictor pendants, this product family offers aluminum and frosted acrylic panels with endless design and color gel options. Colors and designs are easily customized to fit your design.

### FEATURES & BENEFITS

- Acrylic face plate gives the fixture a unique identity and efficiently illuminates a space
- Versatile design allows fixture to be mounted in any orientation
- Fixture design allows relamping without the use of tools, simplifying maintenance
- Compliant with Americans with Disabilities Act (ADA) requirements
- Handcrafted in USA

### SPECIFICATIONS

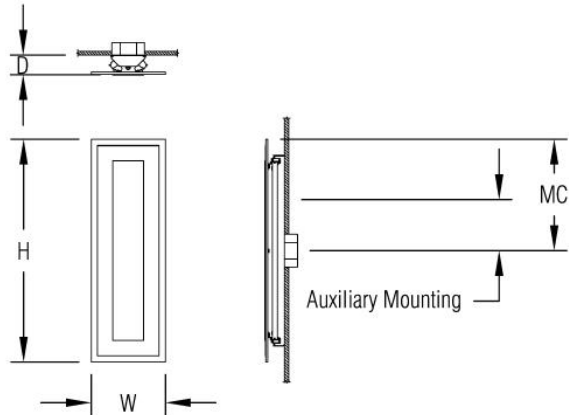
- **LIGHT SOURCE:** Fluorescent
- **BALLAST:** Integral electronic fluorescent ballast utilizes the latest energy-saving technology to maintain consistent color temperature, CRI and lumen maintenance, while eliminating the need for remote mounting and simplifying installation. Class "A" sound rated ballast for use in low ambient noise applications.
- **CONSTRUCTION:** Formed metal construction provides durable protection for internal components and is recyclable
- **MOUNTING:** Mounts to standard 4" octagonal junction box; additional mounting structure and hardware required (by others). Auxiliary mounting 6.75" from center provided. Allows fixture to be installed at an application appropriate height by providing a means to mount the fixture centered on, above or below existing mounting components.
- **FINISH:** Faceplate is clear acrylic with white frosted accent. Finish specifies the inset decorative aluminum panel. Choose



from 26 standard thermoset polyester powder coat paint colors or brushed aluminum finish. RAL®, Pantone®, or custom finishes available upon request.

- **MODIFICATIONS:** Consult factory for all modification requests
- **APPROVALS:** ETL listed to UL standards (US & Canada) for use in damp locations; not recommended for exterior applications

## DIMENSIONS



W	H	D	MC
9 in	27 in	2.3 in	13.5 in
22.9 cm	68.6 cm	5.8 cm	34.3 cm

**Mounting Weight**  
Approximate: 25 lb (12 kg)

## CONFIGURATOR

To configure your spec sheet online, go to [www.spilighting.com/SIW11033](http://www.spilighting.com/SIW11033). Not all options are available in all configurations; consult factory for details.

### Required Field \*

Catalog	Light Source*	Voltage	Dimming	Accessories	Color Accents	Shield Options	Options*
SIW11033							
	A	B	C	D	E	F	G
							Finish:

## A - LIGHT SOURCE \*

**2F14**<sup>1</sup> | 2F14WT5/Mini Bipin

<sup>1</sup> T5 & T8 Fluorescent Linear Lamp(s) Not Included

## B - VOLTAGE

- 120V | 120 Volt  
 277V | 277 Volt

## C - DIMMING

DM | Dimming

## D - ACCESSORIES

---

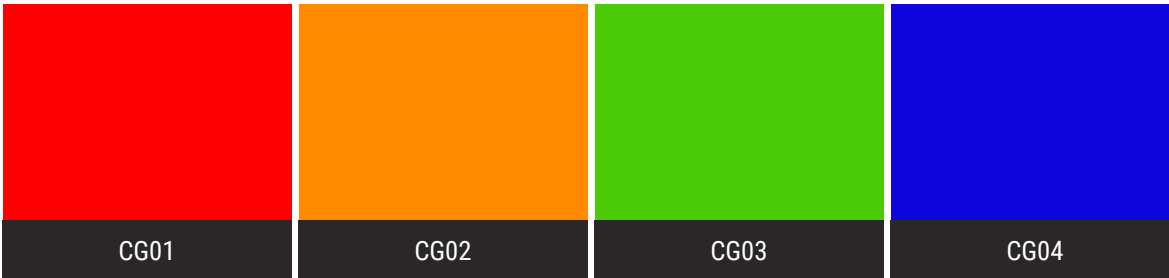
TS | Translucent Shield

## E - COLOR ACCENTS

---

Color gels not available with AP01.

- CG00 | White Color Gel
- CG01 | Red Color Gel
- CG02 | Orange Color Gel
- CG03 | Green Color Gel
- CG04 | Blue Color Gel



## F - SHIELD OPTIONS

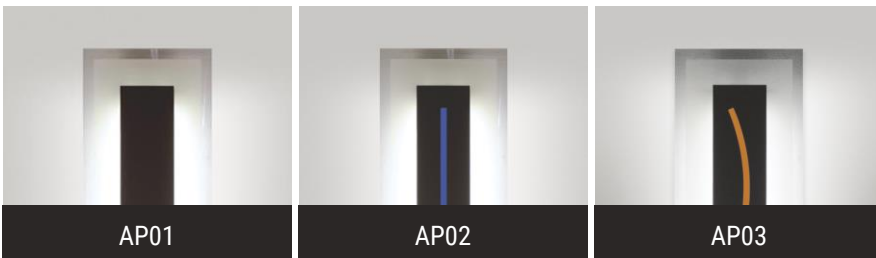
---

SPS | Symmetric Perforated Shield

## G - OPTIONS \*

---

- AP01 | Solid Accent Panel (See last page for finish options)
- AP02 | Linear Accent Panel (See last page for finish options)
- AP03 | Decorative Accent Panel (See last page for finish options)



## Standard Finishes

---

The colors shown are representative. Their actual appearance may vary due to differences in display settings. You can request color chips by emailing [contact@spilighting.com](mailto:contact@spilighting.com). Please note, finishes may not be available in all configurations.

### Paint Colors

<b>PT01</b> RAL9003 Signal White (Gloss)	<b>PT51</b> Matte White (Textured)	<b>PT02</b> White (Textured)	<b>PT04</b> RAL9001 Cream (Textured)	<b>PT11</b> Black (Textured)
---	---------------------------------------	---------------------------------	---	---------------------------------

### Metallic Paint Colors

<b>PT22</b> Platinum (Metallic Gloss)	<b>PT48</b> Brass (Metallic Textured)	<b>PT28</b> Dark Stainless (Metallic Gloss)	<b>PT49</b> Bronze (Metallic Textured)	<b>PT32</b> Dark Bronze (Metallic Gloss)
<b>PT46</b> Aluminum (Metallic Textured)				

### Brushed Aluminum

<b>BAL</b> Brushed Aluminum
--------------------------------

## Specialty Finishes

---



More RAL®, Pantone®, and custom finishes are available upon request. Setup fee and additional lead time applies. Call factory for details.