

SLCB Beam Linear LED

JOB NAME

TYPE

Suspended

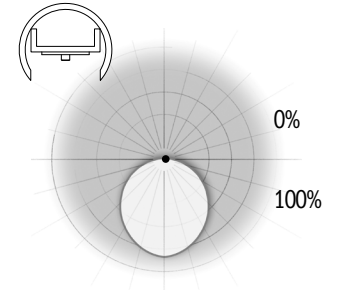
Remote Power Supply



Beam Linear LED

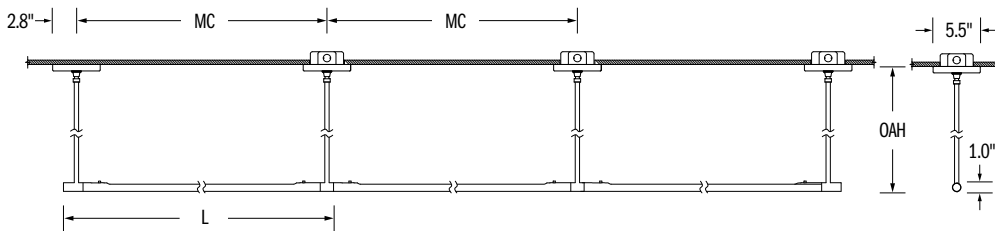
Beam delivers quality illumination in an award-winning fixture. It's ultra-slim 1" housing blends into any environment, and this model features a remote power supply. Mount it individually or configure linear runs. Its standard overall height is 48", 72", or 120". Beam's multiple shielding options and four sizes make this low-profile fixture adaptable to many applications. The family includes wall and ceiling mounted luminaires and is ETL damp location listed.

Optical Distribution



Run Sections and Suspension

CAS Canopy and Stem



Shielding Options



APS Asymmetric Perforated Screen

Dimensions

| | MOUNTING CENTER | SINGLE FIXTURE LENGTH |
|--------|-----------------|-----------------------|
| MODULE | MC | L |
| 029 | 29.0" | 32.0" |
| 041 | 41.0" | 44.0" |
| 053 | 53.0" | 56.0" |
| 065 | 65.0" | 68.0" |



SPS Symmetric Perforated Screen

Mountings and Options



BUL¹ .6" Ceiling Coupler



CAA² 5" Canopy and Aircraft Cable



CAS³ 5" Canopy and Stem



ICS³ 1.4" Canopy and Stem



LBC³ 4" Octagon Box



MCA² 2" Mini Aircraft Cable



SBC³ Switch-Box Cover

¹ Nickel plated.

² Painted white.

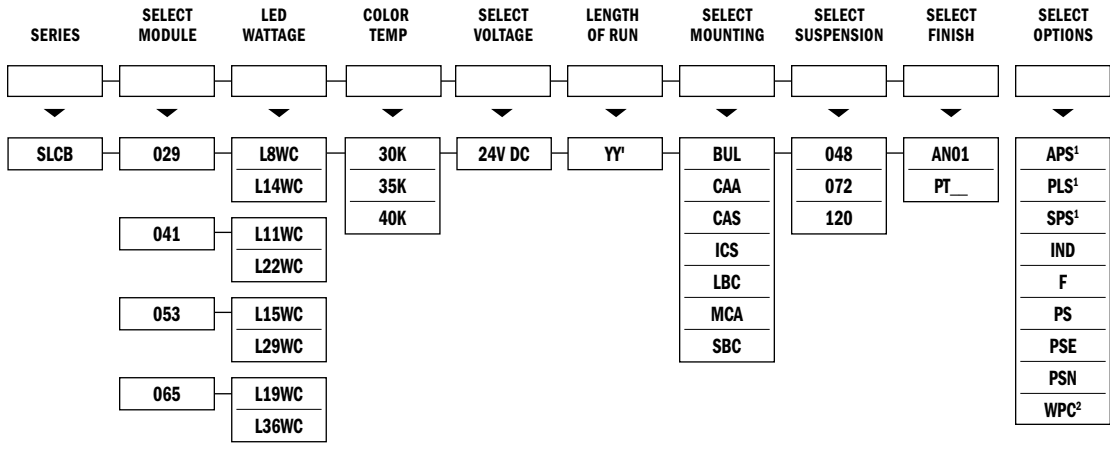
³ Painted to match fixture.



PLS Perforated Lamp Screen

Sample Model Number: SERIES MODULE LAMPING TEMP VOLTAGE RUN MOUNTING SUSPENSION FINISH OPTIONS

 SLCB _____



¹ Available with stem mount options only.
² Available with aircraft cable mount options only.

Delivered Lumens

| SMB | 029 | | 041 | | 053 | | 065 | |
|-----|-----|------|------|------|------|------|------|------|
| | L8W | L14W | L11W | L22W | L15W | L29W | L19W | L36W |
| | 720 | 1260 | 990 | 1980 | 1350 | 2610 | 1710 | 3240 |

Delivered lumens are shown at 4000 CCT; apply multiplier for delivered lumens at other CCT.

| CCT | Proration Factor |
|-------|------------------|
| 4000K | 1.0 |
| 3500K | 0.97 |
| 3000K | 0.95 |

Code Definitions

| MOUNTING | SUSPENSION | FINISHES <i>(See Color Chart for Details)</i> | OPTIONS |
|--|-------------------|---|---|
| BUL .6" Ceiling Coupler | 048 48.0" | AN01 Anodized Satin Aluminum | APS Asymmetric Perforated Screen |
| CAA 5" Canopy and Aircraft Cable | 072 72.0" | PT_ Powder Coat Finish | PLS Perforated Lamp Screen |
| CAS 5" Canopy and Stem | 120 120.0" | | SPS Symmetric Perforated Screen |
| ICS 1.4" Canopy and Stem | | | IND Indirect |
| LBC 4" Octagon Box | | | F Fusing |
| MCA 2" Mini Canopy and Aircraft Cable | | | PS Remote Power Supply |
| SBC Switch-Box Cover | | | PSE Power Supply Enclosure |
| | | | PSN No Power Supply |
| | | | WPC White Power Cord |

Specifications:

- Standard thermoset polyester powder coat paint provides durable protection in a palette of color options. Custom colors available upon request.
- Field adjustable housing locks into position, enabling precise fixture alignment for high quality design performance.
- Each module requires connection to a 24V constant voltage power supply. Modules over 68W may require multiple power supplies/feeds.
- Lamp body can be rotated up to 330° for application specific aiming.
- SPI Lighting uses strict quality guidelines in LED selection to ensure the white LEDs we use meet or exceed ANSI Binning Standards (ANSI.C78.377).

- INSTALLATION NOTES:** During installation the contractor is responsible to use actual fixtures to ensure accurate mounting centers from one fixture to the next along the length of the linear run.
- Translucent shield supplied on all LED options.
- 0-10V dimming controls standard to 1% with PS option.
- Related Links:**
[LED Power Supplies](#)
["Designed to be LED"](#)

Technical Notes:

- 1" diameter extruded tube with aluminum end caps.
- ETL listed to UL standards (US and Canada) for use in damp locations. Not recommended for exterior applications.
- Remote Class II Power Supply required with LED lampings.
- Max distance to the driver is 15' (includes OAH). For extended distances, contact factory.
- L70 => 50,000+ hours

